



STAINLESS STEEL
Double Step Blender Station 
 23" and 26" Wide Units

Item #: _____ Qty #: _____
 Model #: _____
 Project #: _____

SL-DB Series
 23" Wide



CR-DB Series
 26" Wide



15A - 120V GFI Duplex
 Receptacle Hidden
 Beneath Blender Shelf



FEATURES:

- Two blender stations for high volume mixing areas.
- 15A - 120V electrical GFI duplex outlet hidden beneath shelf for blenders.
- Includes four galvanized legs with adjustable plastic bullet feet.
- 4" backsplash.
- Adjustable galvanized side cross-bracing.
- CR-DB Series** has rear deck for extra storage

MATERIAL:

- Recess Step & Backsplash:** 22 gauge, 300 stainless steel
- Sides:** 16 gauge, 430 stainless steel
- Legs:** 1 5/8" O.D. 18 gauge, galvanized steel with adjustable plastic bullet feet

MECHANICAL:

15A - 120V duplex receptacle

OPTIONAL:

- A-15** - Chrome towel ring (packed loose)
- K-316-LU** - Add wrist handles
- SU-10A** - 18" stainless steel legs with cross-bracing
- SU-36** - Add liquid waste chute

NOTE: Blender Stations Can Not Accommodate A Speed Rail

23" WIDE Model #	Approx. Weight	Approx. Cu. Ft.	26" WIDE Model #	Approx. Weight	Approx. Cu. Ft.	Overall Length (L)
SL-DB-12	20 lbs.	6	CR-DB-12	21 lbs.	6	12"
SL-DB-18	21 lbs.	6	CR-DB-18	22 lbs.	6	18"

 **WARNING:** Equipment that include faucets on this page may contain a chemical known to the State of California to cause cancer, birth defects or other reproductive harm.



Customer Service Available To Assist You 1-800-645-3166 8:30 am - 7:00 pm E.S.T.

For Orders & Customer Service:
 Email: customer@advancetabco.com or Fax: 631-242-6900

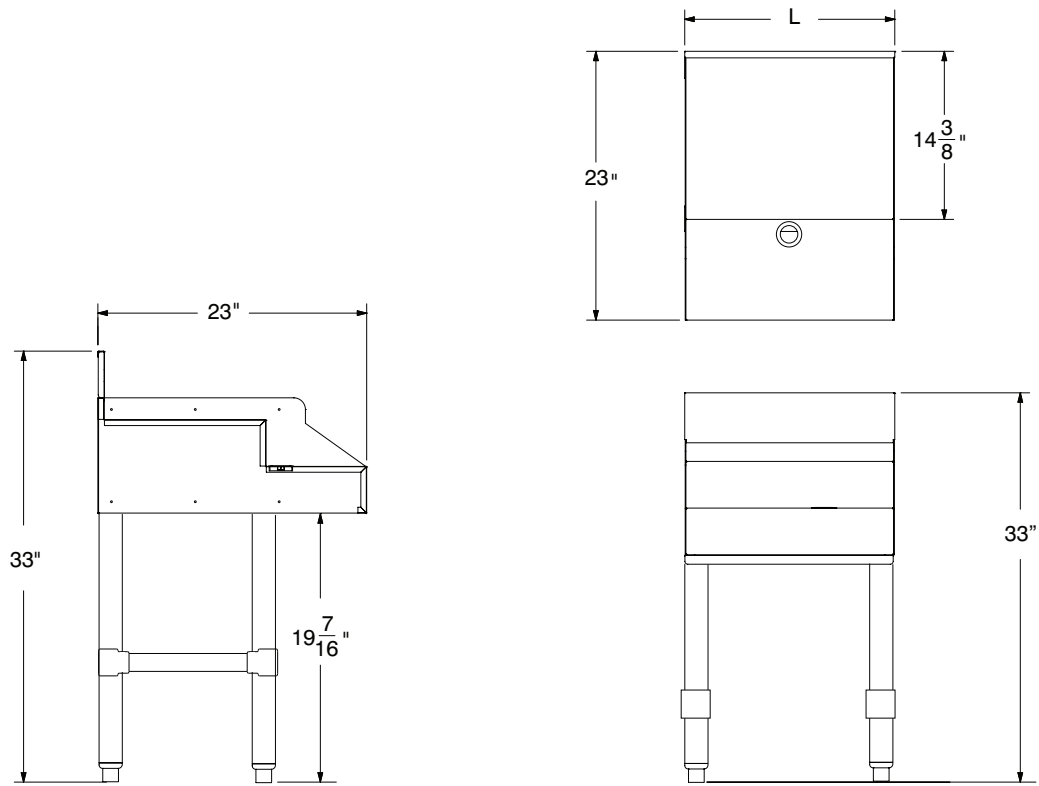
For Smart Fabrication™ Quotes:
 Email: smartfab@advancetabco.com or Fax: 631-586-2933

DIMENSIONS and SPECIFICATIONS

TOL Overall: $\pm .500''$ Interior: $\pm .250''$

ALL DIMENSIONS ARE TYPICAL

SL-DB Series



CR-DB Series

