



STAINLESS STEEL MOBILE SERVING CART CPU-MC-52

Item #: _____ Qty #: _____
 Model #: _____
 Project #: _____



CUSTOM DESIGNED REMOVABLE MAGNET INCLUDED

Our in-house graphics department will help you develop a concept to promote everything from healthy eating to school spirit to special events.

FEATURES:

- All stainless steel construction.
- Two fixed stainless steel angled overshelves for display and easy access; turn up at front to prevent items from sliding off shelf.
- Drop-in ice cooled insulated ice bin; rubber thermal breaker to reduce condensation.
- Additional open storage area on backside of the cart; fits hot/cold holding cabinets (provided by others).
- Fixed stainless steel cashier shelf.
- Bolt-on push handle.
- Removable custom designed 23 1/2" x 45 1/2" magnetic sign on front of unit.
- Includes four 5" casters (2 with brakes) for easy mobility.

CONSTRUCTION:

- All stainless steel construction.
- Top welded to cabinet base.
- Fully welded overshelves mounted via bolt-on brackets to the ends of the unit. Supported by 1" diameter stainless steel tube.
- Plumbing:** 1" IPS Drain with 1/4 turn ball valve.

MATERIALS:

- Top:** 18 Ga., 304 Stainless Steel
- Base:** 18 Ga., 430 Stainless Steel
- Overshelf:** 16 Ga., 304 Stainless Steel
- End Shelf:** 18 Ga., 304 Stainless Steel

MODEL	O.A. Size L x W x H	Ice Bin Capacity	Wt.	Cubic Feet
CPU-MC-52	52" x 30" x 67 7/8"	93 lbs.	450 lbs.	87



Customer Service Available To Assist You **1-800-645-3166** 8:30 am - 7:00 pm E.S.T.

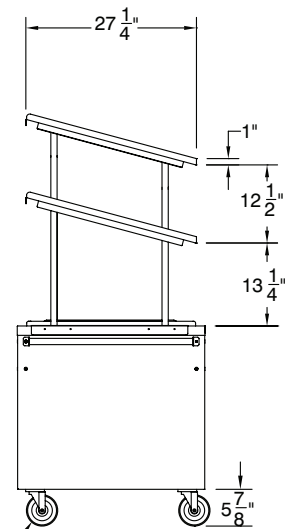
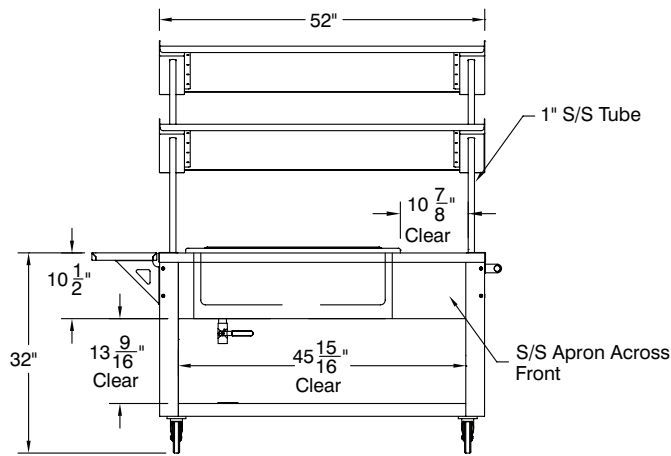
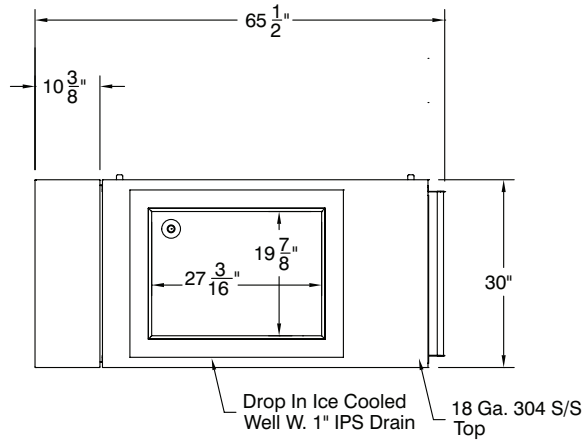
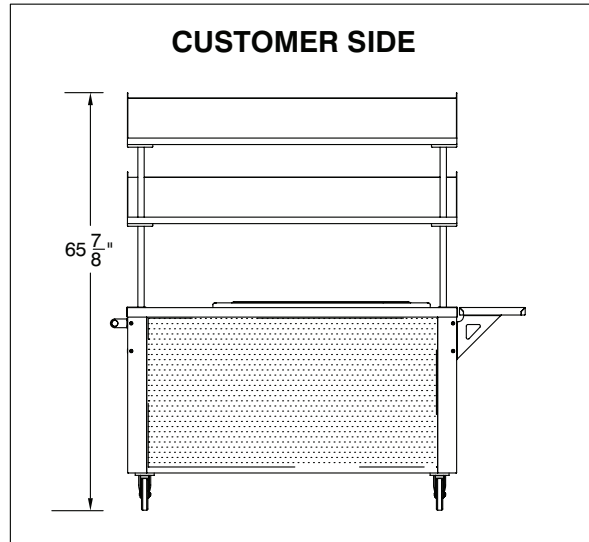
For Orders & Customer Service:
 Email: customer@advancetabco.com or Fax: 631-242-6900

For Smart Fabrication™ Quotes:
 Email: smartfab@advancetabco.com or Fax: 631-586-2933

DIMENSIONS and SPECIFICATIONS

TOL ± .125"

ALL DIMENSIONS ARE TYPICAL



OPERATOR SIDE

