



STAINLESS STEEL

REMOVABLE 8" SPLASH WRAP FOR EXISTING DROP-IN SINKS



Item #: _____ *Qty #:* _____
Model #: _____
Project #: _____

FEATURES:

Adapts easily to any existing Drop-In Sink (Must specify Drop-In Sink Model).
 Mounting hardware provided.

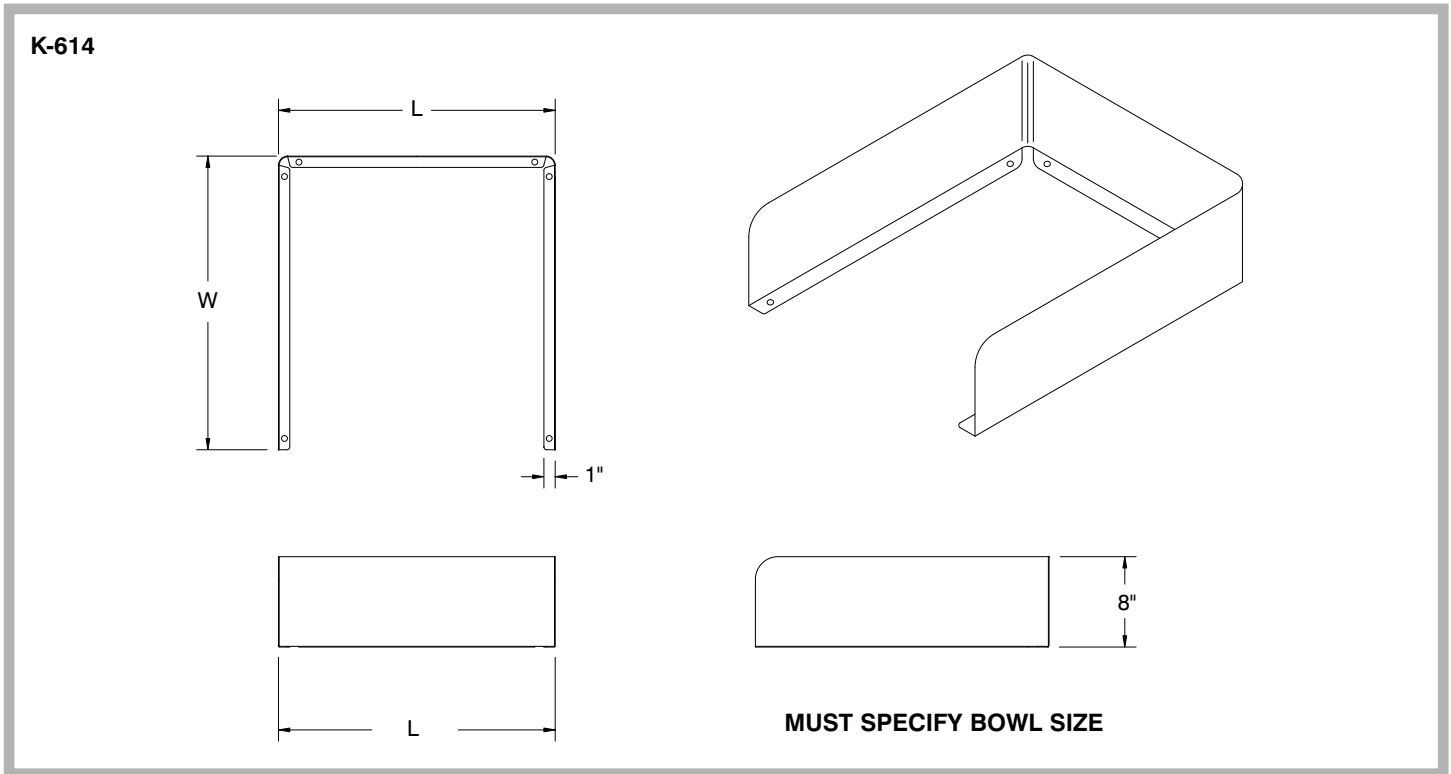
MATERIALS:

16 Gauge, Type 304 Series Stainless steel.
 Plastic hardware included.

DIMENSIONS and SPECIFICATIONS

TOL ± .125"

ALL DIMENSIONS ARE TYPICAL



<p>www.advancetabco.com</p>	<p>Customer Service Available To Assist You 1-800-645-3166 8:30 am - 8:00 pm E.S.T.</p> <p>Email Orders To: customer@advancetabco.com. For Smart Fabrication™ Quotes, Email To: smartfab@advancetabco.com or Fax To: 631-586-2933</p>			
	<p>NEW YORK Fax: (631) 242-6900</p>	<p>GEORGIA Fax: (770) 775-5625</p>	<p>TEXAS Fax: (972) 932-4795</p>	<p>NEVADA Fax: (775) 972-1578</p>