



# STAINLESS STEEL CAFETERIA FOOD SHIELD WITH STAINLESS STEEL SHELF



Maximum Glass Opening is 1-1/2" From  
Table to Bottom of Glass

**Item #:** \_\_\_\_\_ **Qty #:** \_\_\_\_\_  
**Model #:** \_\_\_\_\_  
**Project #:** \_\_\_\_\_



Adjust Food Shield with Ease!  
No Tools Required!

**FEATURES:**

Adjustable Food Shield With Brackets. No Tools Required.  
 1/4" Thick Heat-Tempered Glass.  
 Includes Two 18" Wide x 15-3/8" High Side Glass Panels.  
 Stainless Steel Shelving Available In 12" or 15" Widths.  
 Shelves have two rolled edges on front & back and two square  
 edges on left & right sides.  
 1-5/8" Stainless Steel Posts.

**CONSTRUCTION:**

All TIG welded.  
 Exposed stainless steel surfaces polished to a satin finish.

**MATERIAL:**

Food Shield - 1/4" Thick Heat-Tempered Glass.  
 Shelf - 18 Ga., Type 430 Stainless Steel.  
 Posts - 1-5/8" diameter, Stainless Steel.



**Includes Glass Side Panels**  
 Standard 18" Wide x 15-3/8" High Panel  
 (Panel must be a minimum width of 18" to meet NSF requirements)

Length	12" Wide (305mm)	15" Wide (381mm)
36"	SGC-12-36	SGC-15-36
48"	SGC-12-48	SGC-15-48
60"	SGC-12-60	SGC-15-60
72"	SGC-12-72	SGC-15-72
84"	SGC-12-84	SGC-15-84
96"	SGC-12-96	SGC-15-96
108"	SGC-12-108	SGC-15-108
120"	SGC-12-120	SGC-15-120
132"	SGC-12-132	SGC-15-132
144"	SGC-12-144	SGC-15-144

Standard Shelf Height is 18" From  
Top of Table to Top of Shelf  
**CUSTOM HEIGHT SIZES AVAILABLE!**

**18" & 24" Wide Shelving Available**  
**Contact Customer Service For More Info**

NOTE: Food Shield Glass Cannot Exceed 48" Length Per Shield.  
 Shelves 8' or Longer Includes Center Leg Support.

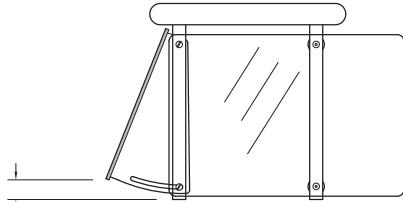
<p>www.advancetabco.com</p>	<p>Customer Service Available To Assist You <b>1-800-645-3166</b> 8:30 am - 8:00 pm E.S.T.          Email Orders To: customer@advancetabco.com. For Smart Fabrication™ Quotes, Email To: smartfab@advancetabco.com or Fax To: 631-586-2933</p>			
	<p><b>NEW YORK</b>          Fax: (631) 242-6900</p>	<p><b>GEORGIA</b>          Fax: (770) 775-5625</p>	<p><b>TEXAS</b>          Fax: (972) 932-4795</p>	<p><b>NEVADA</b>          Fax: (775) 972-1578</p>

# DETAILS and SPECIFICATIONS

TOL ± .500"

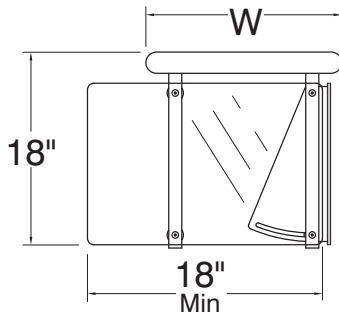
ALL DIMENSIONS ARE TYPICAL

## CAFETERIA FOOD SHIELD WITH STAINLESS STEEL SHELF



1 1/2"  
(MAX)

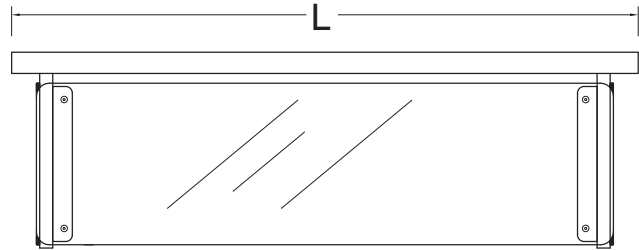
**SIDE VIEW**  
(Glass Open)



18"

18"  
Min

**SIDE VIEW**  
(Glass Closed)



**Front View**

L	12" Wide (W) (305mm)		15" Wide (W) (381mm)		Approx. Cubes
	Model	Approx. Wt.	Model	Approx. Wt.	
36"	SGC-12-36	35 lbs.	SGC-15-36	40 lbs.	3
48"	SGC-12-48	40 lbs.	SGC-15-48	45 lbs.	4
60"	SGC-12-60	45 lbs.	SGC-15-60	50 lbs.	6
72"	SGC-12-72	50 lbs.	SGC-15-72	55 lbs.	7
84"	SGC-12-84	60 lbs.	SGC-15-84	65 lbs.	8
96"	SGC-12-96	70 lbs.	SGC-15-96	75 lbs.	9
108"	SGC-12-108	80 lbs.	SGC-15-108	85 lbs.	10
120"	SGC-12-120	90 lbs.	SGC-15-120	95 lbs.	11
132"	SGC-12-132	100 lbs.	SGC-15-132	105 lbs.	12
144"	SGC-12-144	105 lbs.	SGC-15-144	110 lbs.	13

