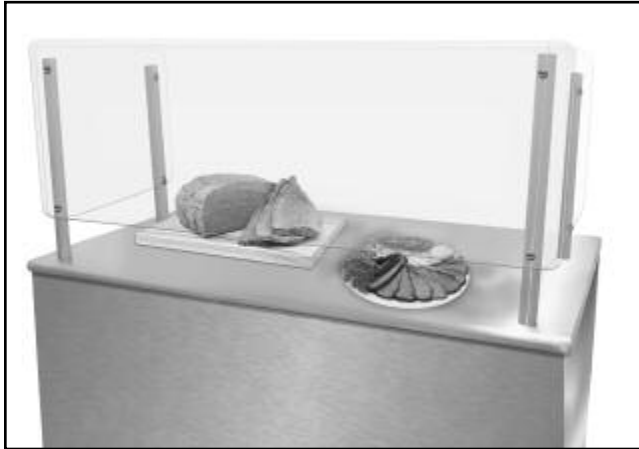




# STAINLESS STEEL COOKING/CARVING FOOD SHIELD



**Item #:** \_\_\_\_\_ **Qty #:** \_\_\_\_\_  
**Model #:** \_\_\_\_\_  
**Project #:** \_\_\_\_\_

Model #	Length (L)	Approx. Wt.	Approx. Cubes
SGCC-36	36"	40 lbs.	4
SGCC-48	48"	50 lbs.	5

**FEATURES:**

- 1/4" Thick Heat-Tempered Glass.
- Includes Two 18" Wide Side Glass Panels.
- Includes Four 1-5/8" Stainless Steel Posts.

**CONSTRUCTION:**

Posts mount thru table top for added support.

**MATERIAL:**

Food Shield - 1/4" Thick Heat-Tempered Glass.  
 Posts - 1-5/8" diameter, Stainless Steel.

**Cannot Exceed a Maximum Height of 6"  
 From Top of Table to Bottom of Glass  
 CUSTOM HEIGHT SIZES AVAILABLE!**

**NOTE: Food Shield Glass Cannot Exceed 48" Length  
 and 24" Height Per Shield**

## DETAILS and SPECIFICATIONS

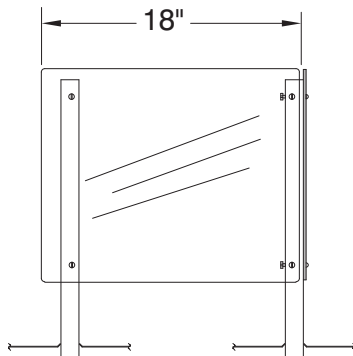
TOL ± .500"

ALL DIMENSIONS ARE TYPICAL

**Cannot Exceed a Maximum  
 Height of 24"  
 CUSTOM HEIGHT SIZES  
 AVAILABLE!**



TOP VIEW



SIDE VIEW

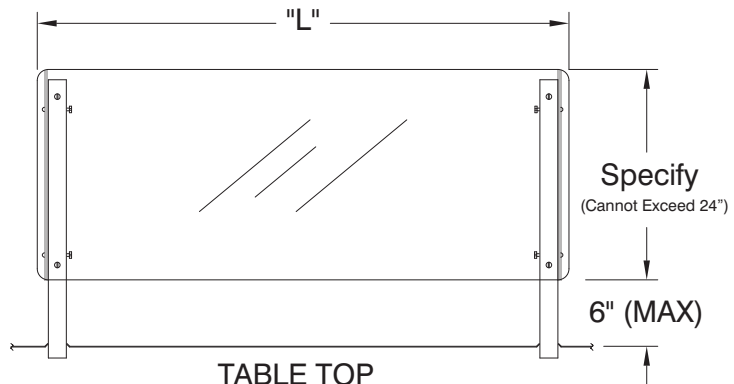


TABLE TOP  
FRONT VIEW



**Customer Service Available To Assist You 1-800-645-3166 8:30 am - 8:00 pm E.S.T.**

Email Orders To: [customer@advancetabco.com](mailto:customer@advancetabco.com). For Smart Fabrication™ Quotes, Email To: [smartfab@advancetabco.com](mailto:smartfab@advancetabco.com) or Fax To: 631-586-2933

**NEW YORK**  
Fax: (631) 242-6900

**GEORGIA**  
Fax: (770) 775-5625

**TEXAS**  
Fax: (972) 932-4795

**NEVADA**  
Fax: (775) 972-1578