



STAINLESS STEEL

# COUNTERTOP INSTALLED HAND SINKS with PAPER TOWEL DISPENSER & DECK MOUNTED SOAP DISPENSER



FACTORY OR OEM INSTALLED



7-PS-42



7-PS-43



7-PS-43 Shown Above  
Installed in a Work Table

**Item #:** \_\_\_\_\_ **Qty #:** \_\_\_\_\_

**Model #:** \_\_\_\_\_

**Project #:** \_\_\_\_\_

### FEATURES:

One piece **Deep Drawn** sink bowl design.

Sink bowl is 10" x 14" x 5".

Sink bowls have a large liberal radii with a minimum dimension of 2" and are rectangular in design for increased capacity.

Both units include Deck Mounted Liquid Soap Dispenser & Stainless steel basket drain 1-1/2" IPS.

### Specific Features:

Undermount towel dispenser pivots forward for ease of reloading.

Standard "C" Fold towels extracted directly from front of towel dispenser.

**7-PS-42** includes K-52 deck mounted, 4" O.C. chrome plated faucet & furnished with aerator.

**7-PS-43** includes Knee-Valve operation & Gooseneck Spout.

### CONSTRUCTION:

All TIG welded.

Welded areas blended to match adjacent surfaces and to a satin finish.

Die formed Countertop Edge with a No-Drip offset.

One sheet of stainless steel - No Seams.

### MATERIAL:

Heavy gauge type 304 series stainless steel.

All fittings are brass / chrome plated unless otherwise indicated.

### MECHANICAL:

Faucet supply is 1/2" IPS male thread hot and cold.

### INSTALLATION:

Factory or OEM Install Only.

**Standard Faucet conforms to NSF 61 Standard 9. An optional faucet upgrade is required for compliance to AB 1953 Standards.**

For Replacement Faucets & Upgrades, Drains & Accessories visit our website at [www.advancetabco.com](http://www.advancetabco.com)



Customer Service Available To Assist You **1-800-645-3166** 8:30 am - 8:00 pm E.S.T.

Email Orders To: [customer@advancetabco.com](mailto:customer@advancetabco.com). For Smart Fabrication™ Quotes, Email To: [smartfab@advancetabco.com](mailto:smartfab@advancetabco.com) or Fax To: 631-586-2933

**NEW YORK**  
Fax: (631) 242-6900

**GEORGIA**  
Fax: (770) 775-5625

**TEXAS**  
Fax: (972) 932-4795

**NEVADA**  
Fax: (775) 972-1578

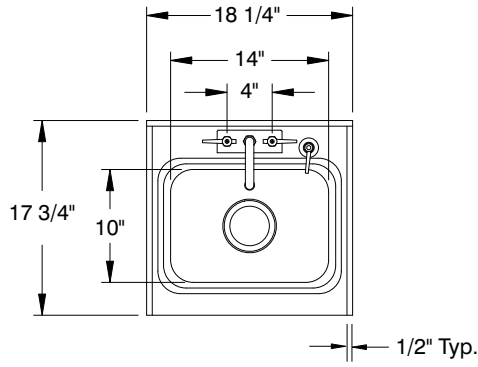
# DIMENSIONS and SPECIFICATIONS

TOL Overall: ± .500" Interior: ± .250"

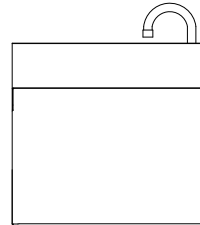
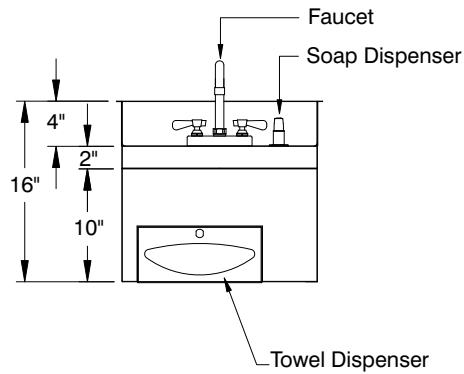
FITTINGS SUPPLIED AS SHOWN

ALL DIMENSIONS ARE TYPICAL

7-PS-42

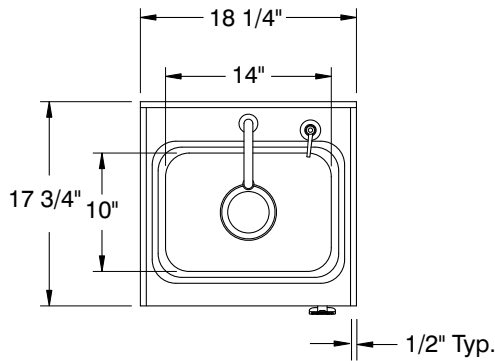


Countertop Opening Not to Exceed  
17 1/8" (Front to Back) x 17 3/8" (Left to Right)

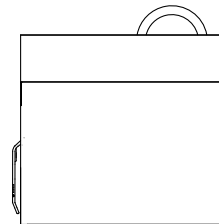
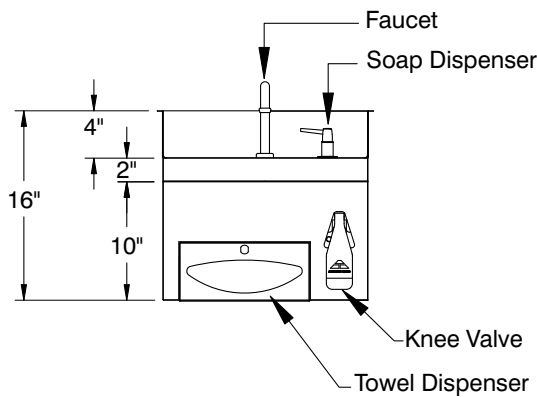


30 lbs.

7-PS-43



Countertop Opening Not to Exceed  
17 1/8" (Front to Back) x 17 3/8" (Left to Right)



36 lbs.

