



STAINLESS STEEL
SUPERMARKET SINKS **NSF**
MEAT & PLATTER SINK



18-K5-56

Item #: _____ *Qty #:* _____
Model #: _____
Project #: _____

FEATURES:

Tile edge for ease of installation.

Sink bowls are fabricated to meet NSF specifications with a 3/4" radius. Elongated compartments designed for use with standard meat platters.

Placement of the welded leg assembly insures stability and furnishes direct support of the column load requirements for the entire sink unit.

18-K5-56: feature One 24" x 30" Bowl and Two 15" x 32" Bowls.

CONSTRUCTION:

All TIG welded.

Welded areas blended to match adjacent surfaces and to a satin finish.

Gussets welded to sink bottom.

MECHANICAL:

Supply is 1/2" IPS hot & cold.

Faucet holes on 8" centers.

Faucets are not included (see accessories).

Waste drains are 1 1/2" IPS basket type and are included.

MATERIAL:

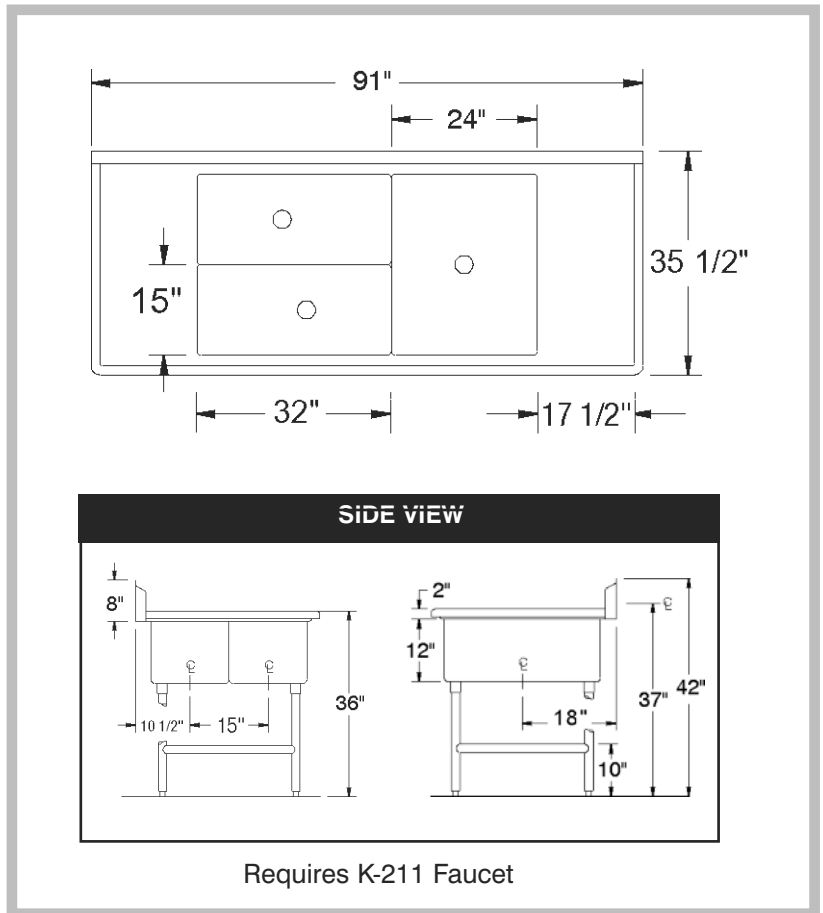
Entire unit is 16 gauge type "304" series stainless steel.

LEGS are 1 5/8" diameter heavy gauge tubular stainless steel with stainless steel gussets and 1" adjustable stainless steel bullet feet.

TOL ± .500"

ALL DIMENSIONS ARE TYPICAL

DIMENSIONS and SPECIFICATIONS



ACCESSORIES	Model #	Qty
DRAINS		
K-211 FAUCET		
PROVISION FOR HATCO HEATER (BY OTHERS)		



Customer Service Available To Assist You 1-800-645-3166 8:30 am - 8:00 pm E.S.T.

Email Orders To: customer@advancetabco.com. For Smart Fabrication™ Quotes, Email To: smartfab@advancetabco.com or Fax To: 631-586-2933

NEW YORK
 Fax: (631) 242-6900

GEORGIA
 Fax: (770) 775-5625

TEXAS
 Fax: (972) 932-4795

NEVADA
 Fax: (775) 972-1578