



Your Solutions Partner

# Specifications

F.O.B Sedalia, Missouri 65301



### OPTIONS:

- Hot Food Style top - HFST
- False Bottom - FB
- Hardwood cutting board in lieu of poly
- Stainless steel heat compartment liner - FMOD-SS-LINER
- Stainless steel cutting board in lieu of poly
- Drop type brackets for cutting board
- Casters - EPxxx
- Stainless steel feet -SS-FEET
- Serving shelves - 656-x,S, 656-460-xS, 956-xS, 956-460-xS
- Glass display shelves - 98x
- Shelves/Carving boards - 441-xS, 442-xS, 445-xS
- Buffet shelves - 63x/73xFL/73xBL/73xHT/83x/93xFL/83xBL/93xHT
- Insets/Inset Covers - 521, 522, 523
- Tubular tray slides - 3BTS-FX-x/HD-x
- Solid stainless trays&de - SOLID-FX/HD

### AGENCY LISTINGS:



### DUKE MANUFACTURING CO.

2305 N. Broadway  
St. Louis, MO 63102

800.735.3853 Toll Free  
314.231.5074 Fax  
www.dukemfg.com

### Approval Stamp(s):

### PRODUCT INFORMATION:

PROJECT: \_\_\_\_\_  
ITEM: \_\_\_\_\_  
QUANTITY: \_\_\_\_\_

### MODEL:

### Aerohot™ Foodservice

### Cold Pan Units - Ice Cooled

- 332/P332 30-3/8" length unit/ 25-7/8" length pan
- 333/P333 44-3/8" length unit/ 39-7/8" length pan
- 334/P334 58-3/8" length unit/ 53-7/8" length pan
- 325/P325 72-3/8" length unit/ 67-7/8" length pan

### TOP:

- 20 gauge, 300 Series stainless steel
- Poly carving board - 7"W x 1/2" thick with 18 gauge stainless steel support base and die-stamped brackets

### LINER:

- 18 gauge, 300 Series stainless steel - 5" deep
- Insulated on all four sides and bottom with polyurethane
- 1" cast brass drain and plug

### BODY, UNDERSHELF AND LEGS:

- 20 gauge, 430 Series stainless steel body
- 20 gauge, 430 Series stainless steel undershelf
- 430 Series stainless steel tubular legs with adjustable plastic feet

### SHORT FORM SPECIFICATIONS:

**Aerohot™ Steamtables - Cold Pan Units - Ice Cooled.** Top shall be heavy gauge 300 Series stainless steel with body, undershelf and legs formed of heavy gauge 430 Series stainless steel. Top shall be flanged down into heavy gauge stainless steel ice pan, 5" deep. Liner to be insulated on all four sides and bottom with expanded polyurethane and equipped with 1" cast brass drain and plug. Units to be furnished with poly carving board measuring 7" x 1/2" thick with 18 gauge stainless steel support base and die stamped brackets. Legs shall be formed of 1-5/8" diameter stainless steel tubing fitted with adjustable plastic feet. Portable units to have NSF listed caster, 5" diameter, rubber, swivel-type, two with locks, all non-marking tires, with 9"L pusher bar attached to end panel on operator's right.

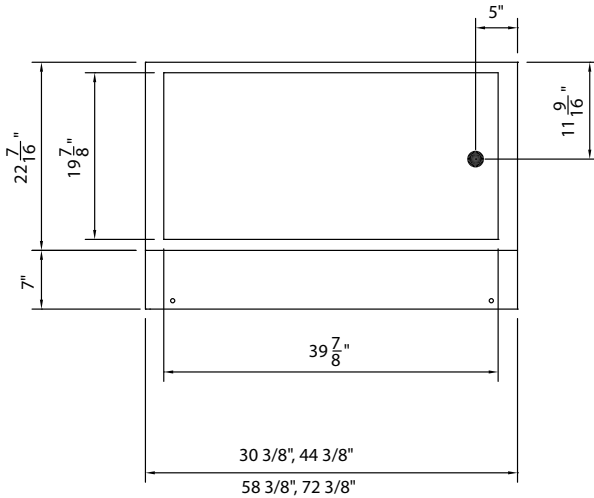
**"P" - prefix on model number denotes portable unit.**

# Aerohot

**MODEL:**

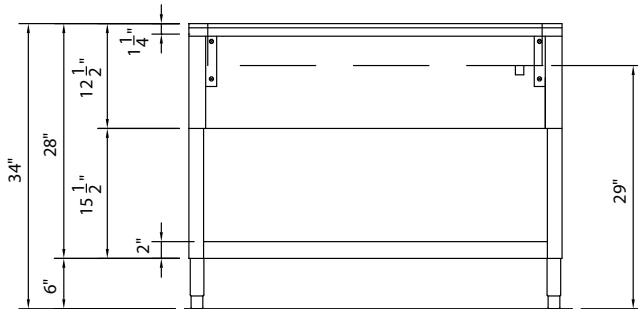
**Aerohot™ Foodservice  
Cold Pan - Ice Cooled**

- 332/P332** 30-3/8" length unit/ 25-7/8" length pan
- 333/P333** 44-3/8" length unit/ 39-7/8" length pan
- 334/P334** 58-3/8" length unit/ 53-7/8" length pan
- 325/P325** 72-3/8" length unit/ 67-7/8" length pan

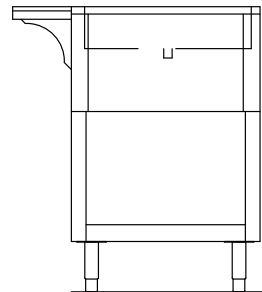


**TOP VIEW**

LEGEND	
•	- DRAIN LOCATION - 1" cast brass
"P"	= prefix on model number denotes portable unit



**FRONT VIEW**



**RIGHT SIDE VIEW**

**DIMENSIONS:**

Freight Class: 85

Model	Length		Width		Height		Cube ft. Crated	Weight	
	in.	cm	in.	cm	in.	cm		lbs.	kg
<b>332/P332</b>	30-3/8	77.2	22-7/16	57.1	34	86.4	23.4	74/80	33.6/36.4
<b>333/P333</b>	44-3/8	112.8	22-7/16	57.1	34	86.4	32.5	102/108	46.4/49.1
<b>334/P334</b>	58-3/8	148.3	22-7/16	57.1	34	86.4	41.5	121/130	55.0/59.1
<b>325/P325</b>	72-3/8	183.9	22-7/16	57.1	34	86.4	50.5	142/161	64.6/73.2

Power Supply: N/A



**DUKE MANUFACTURING CO.**  
2305 N. Broadway  
St. Louis, MO 63102

800.735.3853 Toll Free  
800.231.1130 In Missouri  
314.231.5074 Fax  
[www.dukemfg.com](http://www.dukemfg.com)

Specification subject to change