



Specifications

F.O.B Sedalia, Missouri 65301



DPAH-2-BC

OPTIONS:

- Incandescent bullet lights
- Legs in lieu of casters

AGENCY LISTINGS:



DUKE MANUFACTURING CO.
 2305 N. Broadway
 St. Louis, MO 63102

800.735.3853 Toll Free
314.231.5074 Fax
www.dukemfg.com

SS-DM-00045-EMB-07

Approval Stamp(s):

PRODUCT INFORMATION:

PROJECT: _____

ITEM: _____

QUANTITY: _____

MODEL:

Econo Mate™ Buffet Units Beef Cart

- DPAH-2-BC** Portable Beef Cart Unit - Closed Base
- OPAH-2-BC** Portable Beef Cart Unit - Open Base
- TAH-2-BC** Table Top Beef Cart Unit

BODY:

- Heavy gauge paint grip steel
- Choice of (12) powder coat paint colors (must choose one)
 - #217105 - Bright White
 - #217103 - Natural Almond
 - #217150 - Orange Red
 - #217154 - Racing Red
 - #217107 - Hollyberry Red
 - #217120 - Sky Blue
 - #217127 - Fence Green
 - #217152 - Stone Gray
 - #217102 - Duke Silver
 - #217113 - Brown Kickplate
 - #217101 - Semi Gloss Black
 - #217125 - Textured Black
- Clear plexiglass canopy, with black powder coat steel brackets, powder coat steel ends to match body

TOP:

- Heavy gauge, 300 Series stainless steel top
- Carving board, removable au jus pan, meat spike
- Perforated stainless steel removable platform
- (2) aluminum spillage pans
- (2) insulated, 8" deep, heat compartments
- Infinite switch controls with exposed electric element

BASES:

- Choice of
 - Open base - **O**
 - Closed base - **D**
 - Table top - **T**
- 5" NSF listed black swivel casters, 2 with locks
- Six foot cord and plug

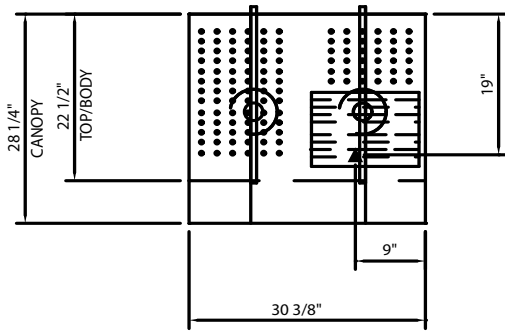
CANOPY:

- Clearly plexiglass food shield
- (2) bullet heat lamps - 250 watts each
- (2) stainless steel posts

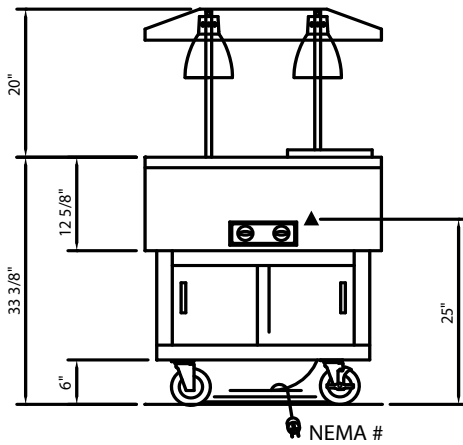
SHORT FORM SPECIFICATIONS:

Duke Econo Mate Buffet Units - Beef Cart. Portable with heavy gauge painted steel bodies, open or closed style, with 300 series stainless steel heavy gauge perforated, removable tops, w/au jus pan, carving board, meat spike, aluminum spillage pans, enclosed steel base w/powder coat finish & sliding doors, clear acrylic canopy w/heat lamps, 5" NSF approved black casters, 2 w/ locks, 6' cord & plug. Table top models available..

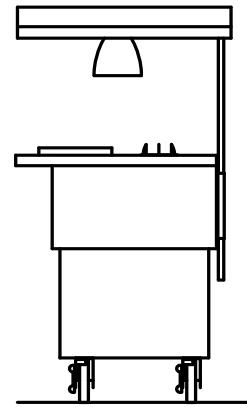
Econo-Mate®



TOP VIEW



FRONT VIEW



SIDE VIEW

MODEL:
Econo Mate Buffet Units
Beef Cart

- DPAH-2-BC** Portable Beef Cart Unit - Closed Base
- OPAH-2-BC** Portable Beef Cart Unit - Open Base
- TAH-2-BC** Table Top Beef Cart Unit

LEGEND	
▲	ELECTRICAL CONNECTION
When ordering storage bases, precede model number with "O" for Open Base or "D" for closed base with doors. Example: OPAH-2-BC for open base unit.	

DIMENSIONS:

FREIGHT CLASS: 100

Model	Length		Width		Height		Cube ft. Crated	Weight		Top Openings
	in	cm	in	cm	in	cm		lbs	kg	
DPAH-2-BC	30-3/8	77.2	22-1/2	57.2	33-3/8	84.8	23.1	285	129.6	2
OPAH-2-BC	30-3/8	77.2	22-1/2	57.2	33-3/8	84.8	23.1	289	131.4	2
TAH-2-BC	30-3/8	77.2	22-1/2	57.2	13-5/8	34.7	12.1	215	97.7	2

DIMENSIONS:

Model	120 Volt			208 Volt			240 Volt		
	watts	amps	NEMA	watts	amps	NEMA	watts	amps	NEMA
DPAH-2-BC	1500	12.5	5-15	2000	9.6	L14-30	2000	8.3	L14-30
OPAH-2-BC	1500	12.5	5-15	2000	9.6	L14-30	2000	8.3	L14-30
TAH-2-BC	1500	12.5	5-15	2000	9.6	L14-30	2000	8.3	L14-30



DUKE MANUFACTURING CO.

2305 N. Broadway
St. Louis, MO 63102

800.735.3853 Toll Free
314.231.1130 In Missouri
314.231.5074 Fax
www.dukemfg.com

Specification subject to change

05/11
Printed in U.S.A
© 2011, Duke Manufacturing Co.