



Your Solutions Partner

# Specifications

F.O.B Sedalia, Missouri 65301



HB2HF

### OPTIONS:

- Three phase wiring - not available with 120v
- Internal locking device
- Foodshields
- Trayslides
- 1-color laminate on body/second color laminate on trayslide
- Laminate finish other than standard eight (8) finishes
- Lights in canopy
- Height/lights in canopy
- Kickplates s/s or p/g
- Bread and cheese board
- End Shelf
- Legs in lieu of casters

### AGENCY LISTING:



**DUKE MANUFACTURING CO.**  
**2305 N. Broadway**  
**St. Louis, MO 63102**

**800.735.3853 Toll Free**  
**314.231.5074 Fax**  
**www.dukemfg.com**

SS-DM-00047-HBU-04

### Approval Stamp(s):

### PRODUCT INFORMATION:

PROJECT: \_\_\_\_\_

ITEM: \_\_\_\_\_

QUANTITY: \_\_\_\_\_

MODEL:

### Heritage® Buffet - Hot Food - Electric

- HB2HF** 32" length unit w/(2) heat wells
- HB3HF** 46" length unit w/(3) heat wells
- HB4HF** 60" length unit w/(4) heat wells
- HB5HF** 74" length unit w/(5) heat wells

### TOP:

- 16 gauge, 300 Series stainless steel
- Flanged down 2" on all four (4) sides
- Die-stamped beaded openings - 12" x 20"

### BODY:

- Heavy gauge paint grip steel
- Laminate patterns:
  - Beige Grafix - **HB-01**
  - Northern Oak - **HB-06**
  - Ebony Star - **HB-03**
  - Ubatuba Granite - **HB-13**
  - Oxide - **HB-04**
  - Amber Maple - **HB-12**
  - Fallen Leaves - **HB-07**
  - Acajou Mahogany - **HB-11**

- Stainless steel trim strips on corners
- Flanged and channeled edges for strength
- Welded together with reinforcements
- Removable access panel on one end
- Mounted on NSF listed 5" diameter swivel casters, two with locks, all non-marking polyurethane tires

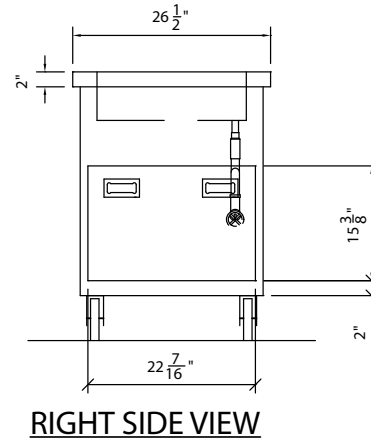
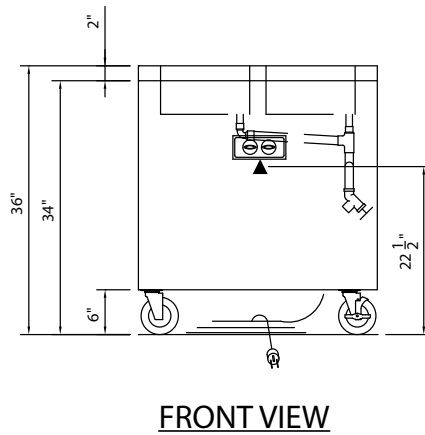
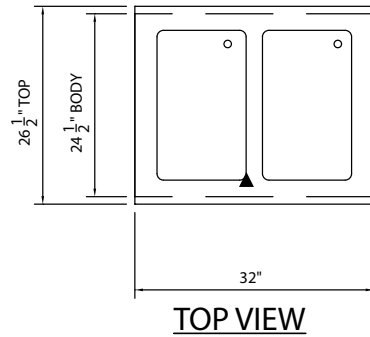
### HOT FOOD SECTION

- Stainless steel sealed wells 12" x 20", insulated with fiberglass
- Each section to have electric elements under well
- Individual brass drains, copper manifolds and brass master valve
- Individual infinite controls
- 6' cord and plug

# HERITAGE®

## Heritage® Buffet - Hot Food - Electric

- HB2HF 32" length unit
- HB3HF 46" length unit
- HB4HF 60" length unit
- HB5HF 74" length unit



**DIMENSIONS:**

FREIGHT CLASS: 100

Model	Length		Width		Height		Cube ft. crated	Weight	
	in.	cm.	in.	cm.	in.	cm.		lbs	kg
HB2HF	32	81.3	26-1/2	67.3	36	91.4	26.3	265	120.5
HB3HF	46	116.8	26-1/2	67.3	36	91.4	36.0	395	180.0
HB4HF	60	152.4	26-1/2	67.3	36	91.4	45.7	525	238.6
HB5HF	74	188.0	26-1/2	67.31	36	91.4	55.4	655	297.7

**ELECTRICAL SPECIFICATIONS:**

Model	120 Volt - 750 watt elements			208 Volt - 750 watt elements			240 Volt - 750 watt elements		
	watts	amps	NEMA	watts	amps	NEMA	watts	amps	NEMA
HB2HF	1500	12.5	5-15	1500	7.2	6-20	1500	6.3	6-20
HB3HF	2250	18.8	L5-30	2250	10.8	6-20	2250	9.4	6-20
HB4HF	3000	25.0	5-50	3000	14.4	6-20	3000	12.5	6-20
HB5HF	3750	31.3	5-50	3750	18.0	L6-30	3750	15.6	6-20



**DUKE MANUFACTURING CO.**

2305 N. Broadway  
St. Louis, MO 63102

800.735.3853 Toll Free  
314.231.1130 In Missouri  
314.231.5074 Fax  
www.dukemfg.com

Specification subject to change