



Your Solutions Partner

# Specifications

F.O.B Sedalia, Missouri 65301



HB3CM-N7

### OPTIONS:

- 10" deep liner in lieu of 8" deep
- Internal locking device
- False bottom - FB- \_\_\_\_\_
- 220v - 50 Hz compressor
- Condensate evaporator
- 1-color laminate on body/second color laminate on tray slide-
- Laminate finish other than standard eight (8) finishes -
- Kickplates (stainless ) (painted) (laminate to match body)
- End shelf
- Trayslides
- Foodshields
- Bread and cheese board
- Legs in lieu of casters
- Carving board/shelves

### AGENCY LISTING:



**DUKE MANUFACTURING CO.**  
**2305 N. Broadway**  
**St. Louis, MO 63102**

**800.735.3853 Toll Free**  
**314.231.5074 Fax**  
**www.dukemfg.com**

SS-DM-00050-HBU-07

### Approval Stamp(s):

### PRODUCT INFORMATION:

PROJECT: \_\_\_\_\_

ITEM: \_\_\_\_\_

QUANTITY: \_\_\_\_\_

MODEL:

**Heritage® Buffet - Cold Pan Units**  
**Mechanically Cooled - 8" Deep**  
**Meets NSF Standard 7**

- HB3CM-N7** 46" length unit
- HB4CM-N7** 60" length unit
- HB5CM-N7** 74" length unit

### TOP:

- 16 gauge, 300 Series stainless steel
- Flanged down 2" on all four sides
- Formed down into one heavy gauge stainless steel cold pan

### BODY:

- Heavy gauge paint grip steel
- Laminate patters:
  - Beige Grafix - **HB-01**
  - Ebony Star - **HB-03**
  - Oxide - **HB-04**
  - Fallen Leaves - **HB-07**
  - Acajou Mahogany - **HB-11**
  - Northern Oak - **HB-06**
  - Ubatuba Granite - **HB-13**
  - Amber Maple - **HB-12**
- Stainless steel trim strips on corners
- Flanged and channeled edges for strength
- Welded together with reinforcements
- Stainless steel removable grille
- Mounted on NSF listed 5" diameter swivel casters, two with locks, all non-marking polyurethane tires
- 6' electric cord and plug

### MECHANICALLY COOLED PAN SECTION

- 18 gauge, 300 Series stainless steel liner, 5" deep
- 1" cast brass drain and plug
- Insulated on all four sides and bottom
- Refrigerated coils, controls and compressor compartment - R134A
- Removable stainless brackets and adapter bars to hold food pans 3" below counter top

HERITAGE® BUFFET - COLD FOOD - MECHANICALLY COOLED - 8" DEEP - N7

Catalog No. HBU-MECH8N7

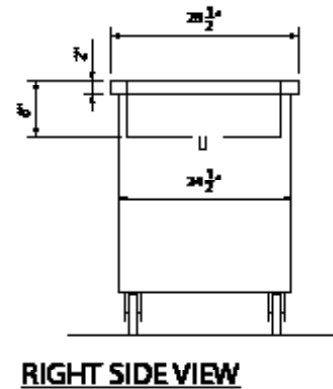
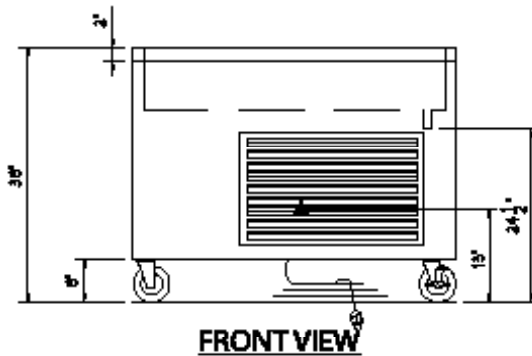
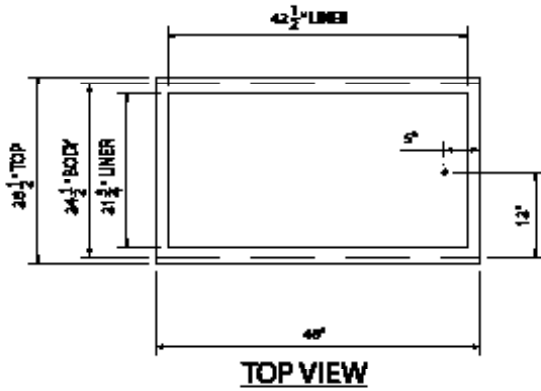
A.I.A. File No. 35-C-13

REV A

# HERITAGE®

## Heritage® Buffet - Cold Pans Mechanically Cooled - 8" Deep Meets NSF Standard 7

- **HB3CM-N7** 46" length unit
- **HB4CM-N7** 60" length unit
- **HB5CM-N7** 74" length unit



LEGEND	
▲	ELECTRICAL CONNECTION
●	DRAIN LOCATION

**DIMENSIONS:**

8" Deep Mechanically Cooled Cold Pan - All Units 26-1/2" (67.31 cm) Wide & 36" (91.4 cm) Tall

FREIGHT CLASS: 150

Model	Length		Cold Pan Size						Cube ft. crated	Weight	
	in	cm	L		W		D			lbs	kg
			in	cm	in	cm	in	cm			
HB3CM-N7	46	116.8	42-1/2	108.0	21-3/4	55.3	8	20.3	36.0	432	196.4
HB4CM-N7	60	152.4	56-1/2	143.5	21-3/4	55.3	8	20.3	45.7	570	259.1
HB5CM-N7	74	188.0	70-1/2	179.1	21-3/4	55.3	8	20.3	56.8	710	322.7

**ELECTRICAL SPECIFICATIONS:**

Model	HP	120 volt w/no lights	
		amps	NEMA
HB3CM-N7	1/4	3.9	5-15
HB4CM-N7	1/4	4.8	5-15
NB5CM-N7	1/3	4.8	5-15

**DUKE MANUFACTURING CO.**

2305 N. Broadway  
St. Louis, MO 63102

800.735.3853 Toll Free  
314.231.1130 In Missouri  
314.231.5074 Fax  
www.dukemfg.com

