



Your Solutions Partner

Specifications

F.O.B Sedalia, Missouri 65301



HB3CI

OPTIONS:

- 8" deep liner in lieu of 5" deep
- Internal locking device
- False bottom
- Hot food style top - HFST - _____
- 1-color laminate on body/second color laminate on tray slide
- Laminate finish other than standard eight (8) finishes
- Enclosed storage
- Intermediate Shelf
- Kickplates (stainless) (painted) (laminate to match body)
- End shelf
- Bread and cheese board
- Legs in lieu of casters
- Trayslides
- Foodshields

AGENCY LISTING:



DUKE MANUFACTURING CO.
2305 N. Broadway
St. Louis, MO 63102

800.735.3853 Toll Free
314.231.5074 Fax
www.dukemfg.com

Approval Stamp(s):

PRODUCT INFORMATION:

PROJECT: _____

ITEM: _____

QUANTITY: _____

MODEL:

Heritage Buffet Cold Pan - Ice Cooled - 5" Deep

- HB3CI** 46" length unit
- HB4CI** 60" length unit
- HB5CI** 74" length unit

TOP:

- Heavy gauge, 300 Series stainless steel
- Flanged down 2" on all four sides

BODY:

- Heavy gauge paint grip steel
- Laminate patters:
 - Beige Grafix - **HB-01**
 - Northern Oak - **HB-06**
 - Ebony Star - **HB-03**
 - Ubatuba Granite - **HB-13**
 - Oxide - **HB-04**
 - Amber Maple - **HB-12**
 - Fallen Leaves - **HB-07**
 - Acajou Mahogany - **HB-11**
- Stainless steel trim strips on corners
- Flanged and channeled edges for strength
- Welded together with reinforcements
- Mounted on NSF listed 5" diameter swivel casters, two with locks, all non-marking polyurethane tires

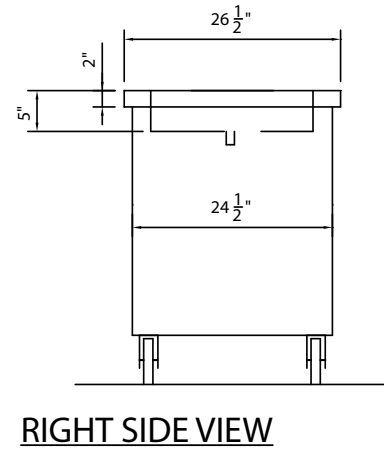
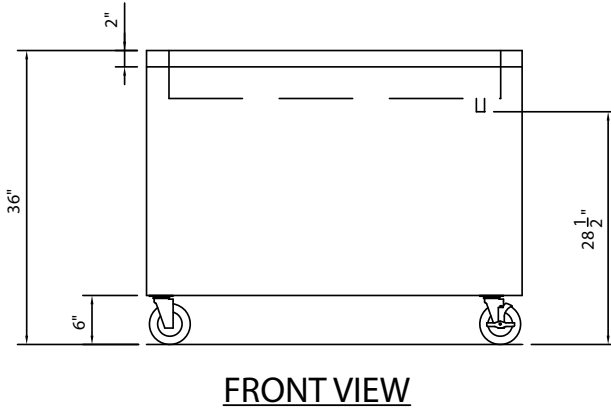
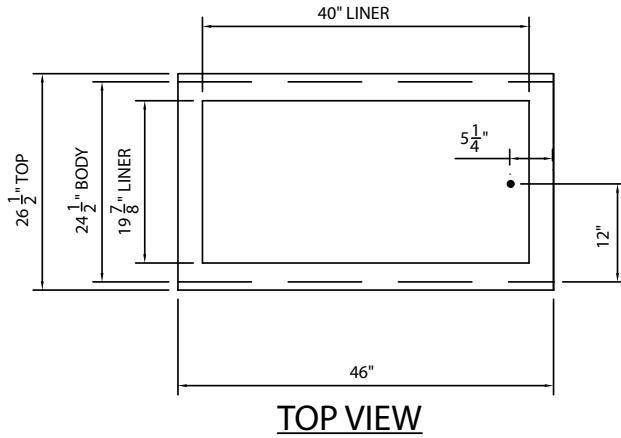
ICE PAN SECTION:

- 18 gauge, 300 Series stainless steel liner
- 1" cast brass drain and plug
- Insulated on all four sides and bottom
- 5" deep pan liner

HERITAGE®

HERITAGE BUFFET COLD PANS - ICE COOLED-5" DEEP

- **HB3CI** 46" length unit
- **HB4CI** 60" length unit
- **HB5CI** 74" length unit



DIMENSIONS:

All Units 26-1/2 (67.3 cm) Wide & 36" (91.4 cm) Tall

FREIGHT CLASS: 150

Model	Length		Cold Pan Size						Cube ft. crated	Weight	
	in	cm	L		W		D			lbs	kg
			in	cm	in	cm	in	cm			
HB3CI	46	116.8	40	101.6	19-7/8	50.6	5	12.7	36.0	360	163.6
HB4CI	60	152.4	54	137.2	19-7/8	50.6	5	12.7	45.7	480	218.2
HB5CI	74	188.0	68	172.7	19-7/8	50.6	5	12.7	55.4	600	272.7



DUKE MANUFACTURING CO.

2305 N. Broadway
St. Louis, MO 63102

800.735.3853 Toll Free
314.231.1130 In Missouri
314.231.5074 Fax
www.dukemfg.com

Specification subject to change