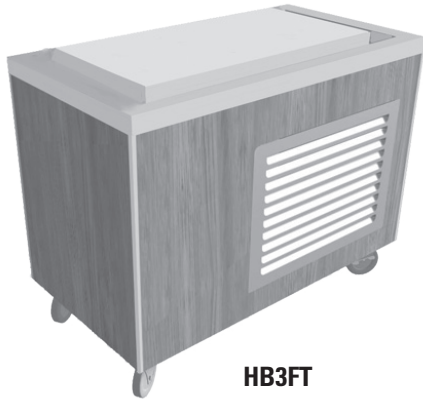




Your Solutions Partner

Specifications

F.O.B Sedalia, Missouri 65301



HB3FT

OPTIONS:

- 220v - 50 Hz compressor
- Internal locking device
- Condensate evaporator
- 1-color laminate on body/second color laminate on tray slide
- Laminate finish other than standard eight (8) finishes
- Kickplates (stainless) (painted) (laminate to match body)
- End shelf
- Trayslides
- Foodshields
- Bread and cheese board
- Legs in lieu of casters

AGENCY LISTING:



DUKE MANUFACTURING CO.
2305 N. Broadway
St. Louis, MO 63102

800.735.3853 Toll Free
314.231.5074 Fax
www.dukemfg.com

Approval Stamp(s):

PRODUCT INFORMATION:

PROJECT: _____

ITEM: _____

QUANTITY: _____

MODEL:

Heritage® Buffet Frost Top

- HB3FT** 46" length unit/36-1/4" x 17-1/4" display
- HB4FT** 60" length unit/50-1/4" x 17-1/4" display
- HB5FT** 74" length unit/64-1/4" x 17-1/4" display

TOP:

- 16 gauge, 300 Series stainless steel rim and display
- Flanged down 2" on all four sides
- Display raised 1" above body
- Drain gutter on all four sides
- 1" drain and plug
- Compressor of 1/4HP operates on 120v
- Refrigerated coils under top - R134A

BODY:

- Heavy gauge paint grip steel
- Laminate patterns:
 - Beige Grafix - **HB-01**
 - Northern Oak - **HB-06**
 - Ebony Star - **HB-03**
 - Ubatuba Granite - **HB-13**
 - Oxide - **HB-04**
 - Amber Maple - **HB-12**
 - Fallen Leaves - **HB-07**
 - Acajou Mahogany - **HB-11**
- Stainless steel trim strips on corners
- Flanged and channeled edges for strength
- Welded together with reinforcements
- Stainless steel removable grille
- Mounted on NSF listed 5" diameter swivel casters, two with locks, all non-marking polyurethane tires
- 6' electric cord and plug

SHORT FORM SPECIFICATIONS:

Duke® Heritage Buffet - Frost Top. Top shall be 16ga, 300 series Stainless Steel turned down edges, flush at ends, refrigerated display, raised 1" w/ perimeter trough, 20ga paint grip steel bodies with laminate and s/s corner trim, s/s removable grille, 1" drain & plug, 5" dia. NSF approved swivel casters, 2 w/ locks, 6' cord & plug.

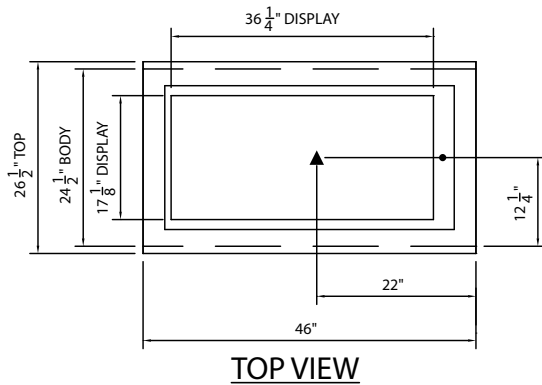
Note: Stainless Steel body panels in lieu of laminate not available.

HERITAGE®

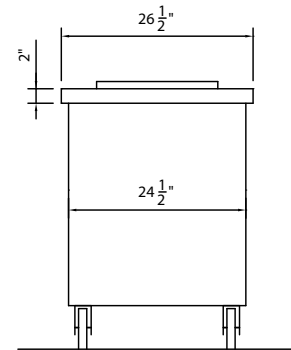
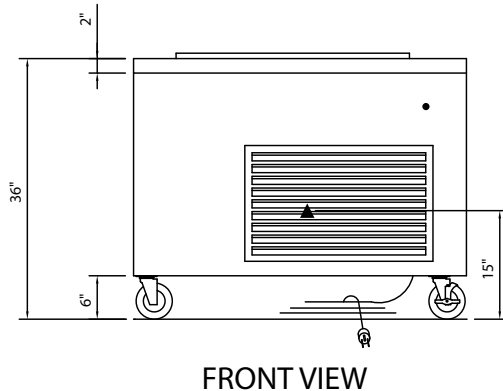
HERITAGE® BUFFET

Frost Top

- **HB3FT** 46" length unit/36-1/4" X 17-1/8" display
- **HB4FT** 60" length unit/50-1/4" x 17-1/8" display
- **HB5FT** 74" length unit/64-1/4" x 17-1/8" display



LEGEND	
▲	ELECTRICAL CONNECTION
●	DRAIN LOCATION



DIMENSIONS:

FREIGHT CLASS: 150

Model	Length		Width		Height		Display Surface in.	Cube ft. crated	Weight	
	in.	cm	in.	cm	in.	cm			lbs	kg
HB3FT	46	116.8	26-1/2	67.3	36	91.4	36-1/4 X 17-1/8	36.0	460	209.1
HB4FT	60	152.4	26-1/2	67.3	36	91.4	50-1/4 X 17-1/8	45.7	670	304.6
HB5FT	74	188.0	26-1/2	67.3	36	91.4	64-1/4 X 17-1/8	55.4	760	345.5

ELECTRICAL SPECIFICATIONS:

Model	HP	120 volt w/no lights	
		amps	NEMA
HB3FT	1/4	6.0	5-15
HB4FT	1/4	6.0	5-15
HB5FT	1/4	6.0	5-15

DUKE MANUFACTURING CO.
 2305 N. Broadway
 St. Louis, MO 63102

800.735.3853 Toll Free
 314.231.1130 In Missouri
 314.231.5074 Fax
www.dukemfg.com

