



Your Solutions Partner

# Specifications

F.O.B Sedalia, Missouri 65301



HB3ST

### OPTIONS:

- Internal locking device
- 1-color laminate on body/second color laminate on tray slide
- Laminate finish other than standard eight (8) finishes
- Enclosed storage
- Intermediate shelf
- Kickplates (stainless) (painted) (laminate to match body)
- Trayslides
- Foodshields
- Bread and cheese board
- End shelf
- Legs in lieu of casters

### AGENCY LISTING:



**DUKE MANUFACTURING CO.**  
**2305 N. Broadway**  
**St. Louis, MO 63102**

**800.735.3853 Toll Free**  
**314.231.5074 Fax**  
**www.dukemfg.com**

### Approval Stamp(s):

### PRODUCT INFORMATION:

PROJECT: \_\_\_\_\_  
 ITEM: \_\_\_\_\_  
 QUANTITY: \_\_\_\_\_

MODEL:

### Heritage Buffet Solid Top

- HB2ST 32" length unit
- HB3ST 46" length unit
- HB4ST 60" length unit
- HB5ST 74" length unit

### TOP:

- 16 gauge, 300 Series stainless steel
- Flanged down 2" on all four (4) sides

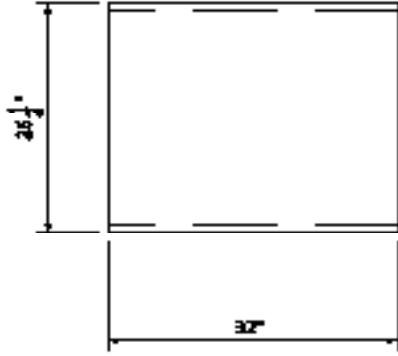
### BODY:

- Heavy gauge paint grip steel
- Laminate patters:
  - Beige Grafix - **HB-01**
  - Northern Oak - **HB-06**
  - Ebony Star - **HB-03**
  - Ubatuba Granite - **HB-13**
  - Oxide - **HB-04**
  - Amber Maple - **HB-12**
  - Fallen Leaves - **HB-07**
  - Acajou Mahogany - **HB-11**
- Stainless steel trim strips on corners
- Flanged and channeled edges for strength
- Welded together with reinforcements
- 6' cord and plug
- Mounted on NSF listed 5" diameter swivel casters, two with locks, all non-marking polyurethane tires

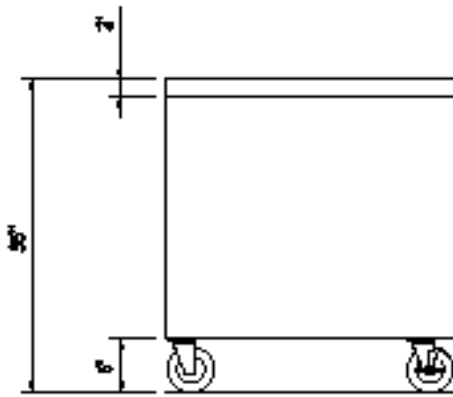
# HERITAGE<sup>®</sup>

FROM **DUKE**

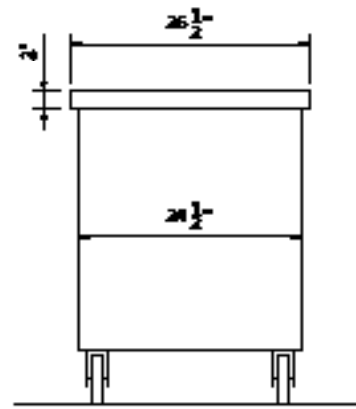
HERITAGE BUFFET SOLID TOP	
<input type="checkbox"/> HB2ST	32" length unit
<input type="checkbox"/> HB3ST	46" length unit
<input type="checkbox"/> HB4ST	60" length unit
<input type="checkbox"/> HB5ST	74" length unit



TOP VIEW



FRONT VIEW



RIGHT SIDE VIEW

DIMENSIONS:

FREIGHT CLASS: 150

Model	Length		Width		Height		Cube ft. crated	Weight	
	in.	cm	in.	cm	in.	cm		lbs	kg
HB2ST	32	81.3	26-1/2	67.3	36	91.4	26.3	250	113.6
HB3ST	46	116.8	26-1/2	67.3	36	91.4	36.0	380	172.7
HB4ST	60	152.4	26-1/2	67.3	36	91.4	45.7	550	250.0
HB5ST	74	188.0	26-1/2	67.3	36	91.4	55.4	640	290.0



**DUKE MANUFACTURING CO.**

2305 N. Broadway  
St. Louis, MO 63102

800.735.3853 Toll Free  
314.231.1130 In Missouri  
314.231.5074 Fax  
www.dukemfg.com

Specification subject to change