



ITEM NO. _____
 PROJECT _____
 LOCATION _____
 DATE _____ QTY. _____



MUR SERIES

Undercounter/Countertop Worktable Refrigerators

MODELS

- MUR081
- MUR081SMS/0M
(cold wall model)
- MUR162
- MUR202
- MUR253
- MUR293
- MUR334



UL EPH listing applies to all models except MUR081.
 NSF applies to MUR081 only.

FEATURES

CONSTRUCTION

- Exterior front, sides, top and doors are stainless steel
- Exterior bottom and back are galvanized steel
- Interior liner and door panel are smooth aluminum
- 2" foamed-in-place polyurethane insulated walls
- Four standard 4 1/2" casters
- One epoxy coated shelf per door
- Door lock standard on MUR081 model

DOORS

- Standard pull door handles
- Number of doors:
 - MUR081 1
 - MUR162 & MUR202 2
 - MUR253 & MUR293 3
 - MUR334 4
- Magnetic gaskets

REFRIGERATION

- Bottom mounted, self-contained refrigeration system
- Refrigerant: R-134a
- MUR081 model is available in forced air or cold wall evaporator system
- Manual defrost on MUR081 model, automatic defrost on forced air models
- Undercounter/countertop worktables may be enclosed on two sides since air intake and exhaust is through the base of the unit
- Minimum 4" clearance required from cabinet back to wall and from cabinet bottom to floor
- Refrigerant controlled by expansion valve
- Temperature range: 34° to 41°F (1° to 5°C)

WARRANTY

- Standard limited three year extended compressor and two year limited parts and labor

OPTIONS

- Backsplash
- Legs in lieu of casters
- Door lock (on models other than MUR081)
- Self-standing bun pan rack
- Stainless steel interior
- White Plasti-Tuff™ top
- Refrigerated drawers, set of two per door opening, except on right hand doors (not available on single door models)



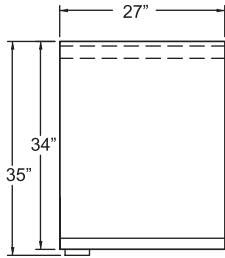
908 Highway 15 North • New Albany, MS 38652
 PHONE: 800-647-1284 or 662-534-9061 • FAX: 800-232-3966 or 662-534-6049 • www.master-bilt.com

TECHNICAL SPECIFICATIONS

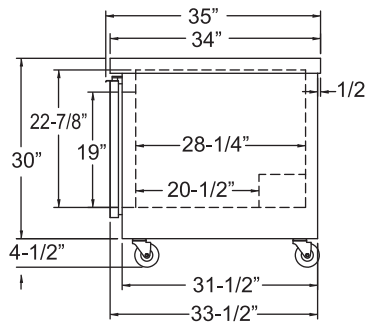
MODEL	DIMENSIONS (in.)			DIMENSIONS (mm)			VOLTS	AMPS	UNIT H.P.	NO. OF SHELVES	CAP. CU. FT.	SHIP CU. FT.	SHIP WT. LB/KG
	L	D	H*	L	D	H*							
MUR081 (forced air)	27	35	34 ^{1/2}	686	889	876	115	4.0	1/5	1 per door	8.0	24.3	220/100
MUR081SMS/0M (cold wall)	27	35	34 ^{1/2}	686	889	876	115	4.0	1/5	1 per door	8.0	24.3	220/100
MUR162	47 ^{3/4}	35	34 ^{1/2}	1213	889	876	115	8.7	1/4	1 per door	16.0	53.1	400/182
MUR202	59 ^{3/4}	35	34 ^{1/2}	1518	889	876	115	8.7	1/4	1 per door	20.0	65.2	430/195
MUR253	71 ^{3/4}	35	34 ^{1/2}	1822	889	876	115	8.7	1/4	1 per door	24.0	77.4	450/205
MUR293	83 ^{3/4}	35	34 ^{1/2}	2127	889	876	115	8.7	1/4	1 per door	29.0	89.5	460/209
MUR334	95 ^{3/4}	35	34 ^{1/2}	2432	889	876	115	8.7	1/4	1 per door	33.0	101.6	470/214

*Height includes casters.

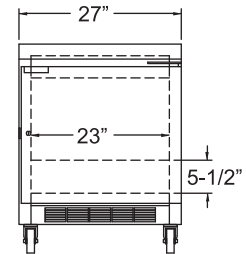
MODEL MUR081



PLAN VIEW

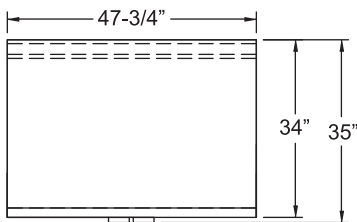


SIDE VIEW

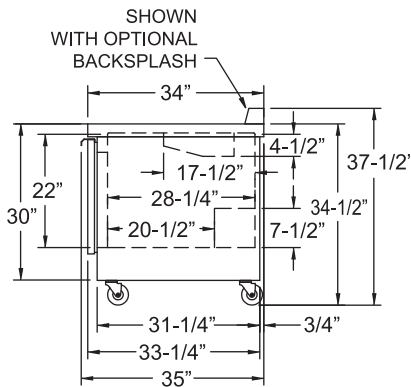


ELEVATION VIEW

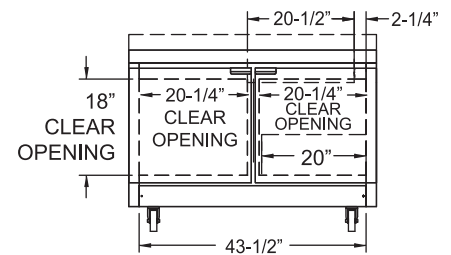
MODEL MUR162



PLAN VIEW

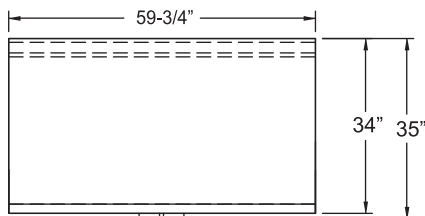


SIDE VIEW

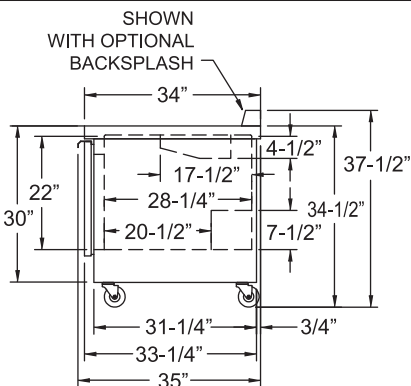


ELEVATION VIEW

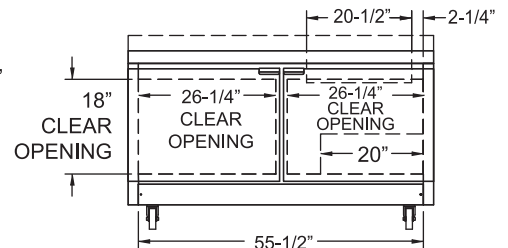
MODEL MUR202



PLAN VIEW

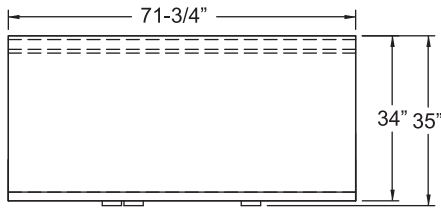


SIDE VIEW

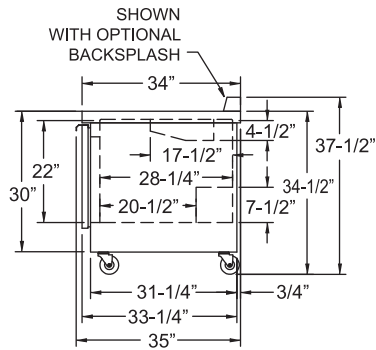


ELEVATION VIEW

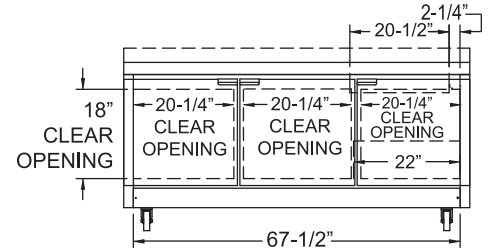
MODEL MUR253



PLAN VIEW

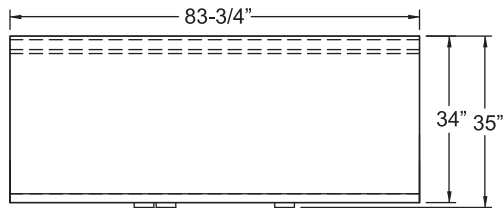


SIDE VIEW

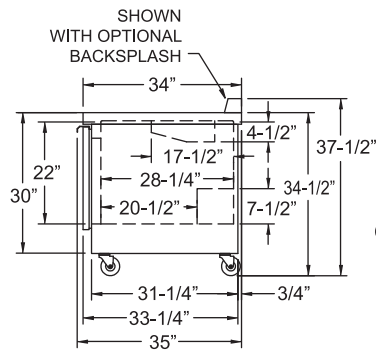


ELEVATION VIEW

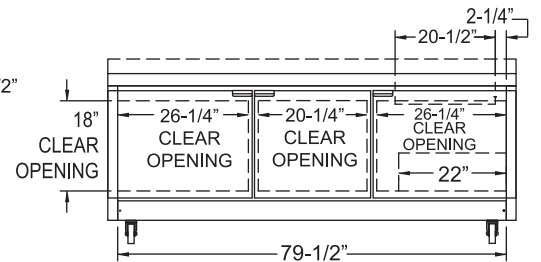
MODEL MUR293



PLAN VIEW

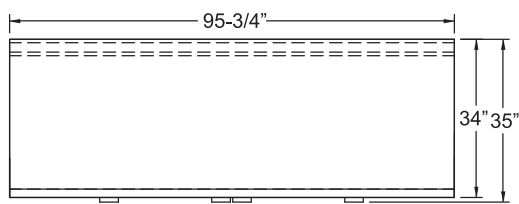


SIDE VIEW

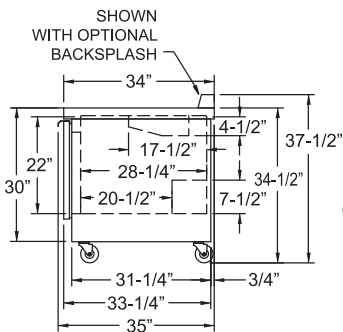


ELEVATION VIEW

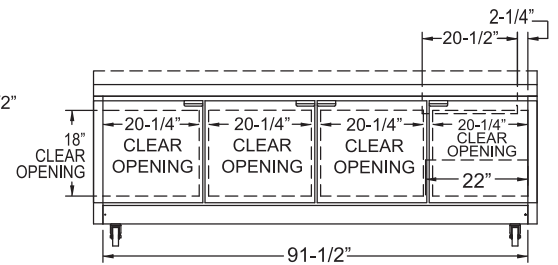
MODEL MUR334



PLAN VIEW



SIDE VIEW



ELEVATION VIEW



MUR SERIES UNDERCOUNTER/COUNTERTOP WORKTABLE REFRIGERATORS

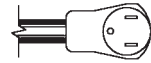
LISTINGS



UL EPH listing applies to all models except MUR081. NSF applies to MUR081 only.

HOOKUP

Via plug in, 10 foot long flexible three wire 14/3 cord with molded plug.



NEMA 5-15P

BID SPECIFICATIONS

Item no. MUR _____
Provide _____ () Undercounter/countertop worktable refrigerator(s), Master-Bilt model no. MUR _____.

Refrigerator's exterior front, sides, top and doors will be stainless steel while the exterior bottom and back will be galvanized steel. The interior liner and door panel will be smooth aluminum. Standard features will include one epoxy-coated shelf per door and

four 4¹/₂" casters.

The refrigeration system will be bottom mounted and self-contained. The temperature range will be 34° to 41°F (1° to 5°C). MUR081 model is available in forced air or cold wall evaporator system. Manual defrost will be standard on MUR081 model, automatic defrost on forced air models. Refrigeration system will use R-134a refrigerant. Refrigerant will be controlled by expansion valve. Refrigerators may be enclosed

on three sides since air intake and exhaust is through the base of the unit.

Refrigerator to have standard limited three year extended compressor warranty and two year limited parts and labor warranty.

Refrigerator to be UL and C-UL listed and UL EPH classified (except for MUR081 model which is NSF listed).

NOTE: Cabinet designed for optimum performance in air-conditioned area at 75°F ambient and 55% relative humidity. All specifications subject to change without notice.



908 Highway 15 North • New Albany, MS 38652
PHONE: 800-647-1284 or 662-534-9061 • FAX: 800-232-3966 or 662-534-6049 • www.master-bilt.com

