

ITEM NO. _____
PROJECT _____
LOCATION _____
DATE _____ QTY. _____



MWR SERIES Roll-In Refrigerators

MODELS

- MWR331
- MWR722



FEATURES

STANDARD ELECTRONIC CONTROL

- Increases efficiency, reliability and convenience
- Allows user to easily monitor and adjust defrost functions from the panel interface on the front of the merchandiser
- Decreases service time and calls
- Eliminates cabinet thermostat, defrost timer and digital thermometer or other temperature indicator

CONSTRUCTION

- Exterior front, sides and doors are stainless steel
- Exterior top, bottom and back are galvanized steel
- All exterior joints and seams fold in without lap joints

- Interior liner and door panel are stainless steel
- Interior floor is stainless steel
- 2" foamed-in-place polyurethane insulated walls
- Digital thermometer
- Recessed interior incandescent light activated by switches for each door
- Interior stainless steel bumper/cart guides
- Maximum cart size:
24"L x 29³/₄"D x 65¹/₂"H

DOORS

- Available with lefthand or righthand door swing
- Heavy-duty pivot hinges
- Centered key locks
- Horizontal handles
- Self-adjusting magnetic gaskets
- Complete perimeter, anti-condensate door opening heater wires

REFRIGERATION

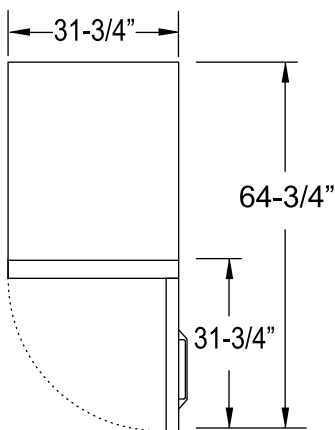
- Top mounted, self-contained refrigeration system
- Refrigerant: R-134a
- Automatic defrost
- Automatic energy efficient hot gas condensate evaporator
- Refrigerant controlled by capillary tube
- Minimum 4" clearance required on top, rear and sides of cabinet
- Temperature range: 34° to 41°F (1° to 5°C)

WARRANTY

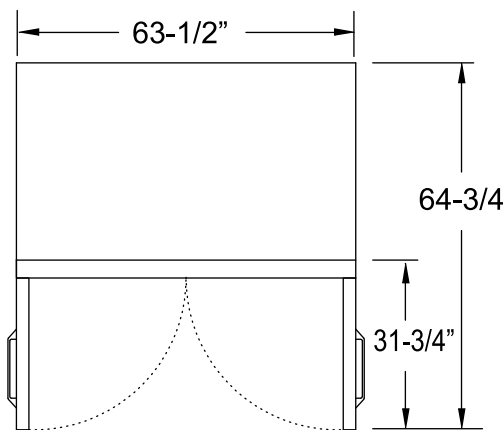
- Standard limited three year extended compressor and two year limited parts and labor

TECHNICAL SPECIFICATIONS

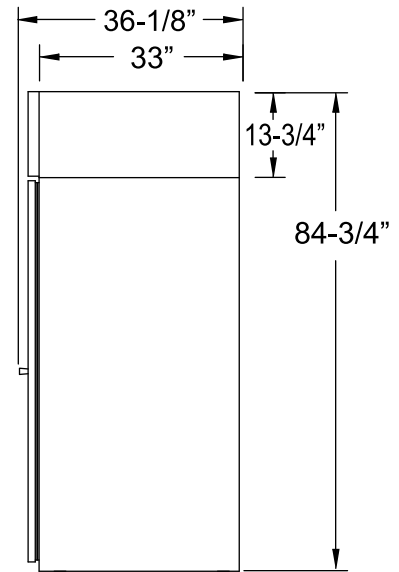
MODEL	DIMENSIONS (in.)			DIMENSIONS (mm)			VOLTS	AMPS	UNIT H.P.	NO. OF DOORS	CAP. CU. FT.	SHIP CU. FT.	SHIP WT. LB/KG
	L	D	H	L	D	H							
MWR331	31 ³ / ₄	36 ¹ / ₈	84 ³ / ₄	806	918	2153	115	7.7	1/3	1	34.2	64.0	596/271
MWR722	63 ¹ / ₂	36 ¹ / ₈	84 ³ / ₄	1613	918	2153	115	10.7	1/2	2	73.4	126.3	690/314



**MWR331
PLAN VIEW**



**MWR722
PLAN VIEW**



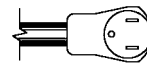
**SIDE VIEW
(ALL)**

LISTINGS



HOOKUP

Via plug in, 10 foot long flexible three wire 14/3 cord with molded plug.



NEMA 5-15P

BID SPECIFICATIONS

Item no. MWR _____
Provide _____ () Roll-In Refrigerator(s), Master-Bilt model no. MWR _____.

Roll-in refrigerator will be equipped with an electronically controlled monitoring system and will feature stainless steel exterior front, sides and doors. The exterior top, bottom and back will be galvanized steel while the interior liner and door panel will be stainless steel. The interior floor will be 22 ga. stainless steel.

Additionally, a digital thermometer will be provided as well as a recessed interior incandescent light activated by switches for each door. Interior stainless steel bumper/cart guides will also be furnished.

Doors will feature heavy-duty pivot hinges and centered key locks. Anti-condensate door opening heater wires line the complete perimeter of each door.

The refrigeration system will be top mounted and self-contained. The refrigerant will be R-134a and the temperature

range will be 34° to 41°F (1° to 5°C). The refrigeration system will also feature automatic defrost and an automatic energy efficient hot gas condensate evaporator. Refrigerant will be controlled by capillary tube.

Roll-in to have standard limited three year extended compressor warranty and two year limited parts and labor warranty.

Roll-in to be UL listed and UL EPH classified.

NOTE: Cabinet designed for optimum performance in air-conditioned area at 75°F ambient and 55% relative humidity. All specifications subject to change without notice.