



TMG-74

TMG SERIES

Top Mounted Medium Temp Glass Door Merchandisers

MODELS

- TMG-27
- TMG-48
- TMG-52
- TMG-74
- TMG-80

FEATURES

CONSTRUCTION

- 24 gauge painted steel interior and exterior
- Cord and plug standard on all self-contained models
- Replaceable magnetic vinyl door gaskets
- 6"-7" adjustable metal legs
- Five white epoxy-coated, heavy-duty welded wire shelves with price tag molding per door (four cantilever and one bottom)
- Cantilever shelves are two-position and adjustable in 1" increments
- Equipped with high output 800 milliamp lamps and ballasts
- Independent on/off light switch
- 2" foamed-in-place "zero ODP" urethane insulation

FINISH

- Sparkling white polyester enamel interior and exterior

DOORS

- Door size:
 TMG-27 30" x 63"
 TMG-48/74 25¹/₈" x 63"
 TMG-52/80 27¹/₈" x 63"
- Extra large, auto-close, double pane, safety glass doors
- Black door rails and handles
- Adjustable torsion bar hinges
- 90° hold-open feature
- Door hinges easily adjustable for closing tension and leveling

REFRIGERATION

- Refrigerant: R-134a
- Self-contained, factory tested, top mounted refrigeration system
- Top mounted low profile interior fan housing
- Electric condensate evaporator
- Minimum 4" clearance required between cabinet back and wall
- Temperature range:
 34° to 41°F (1° to 5°C)

- R-factor (insulation efficiency rating): 17.24

WARRANTY

- Standard limited three year extended compressor and two year limited parts and labor

OPTIONS

- Add suffix "R" for remote system (available on TMG-48 and TMG-74 only)
- Add suffix "QC" for quick couple system
- Custom exterior colors
- Baskets
- Additional shelves
- Casters



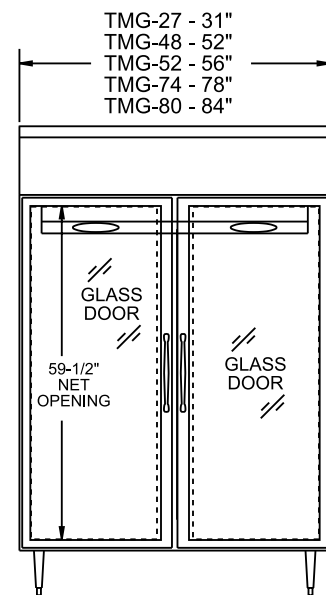
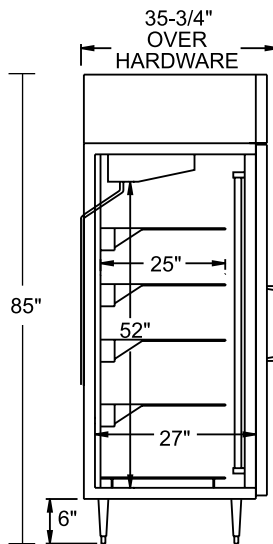
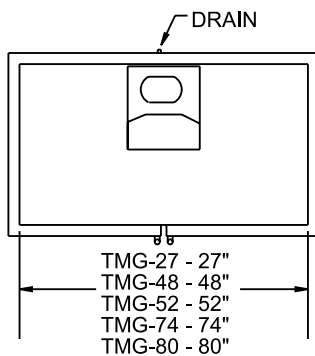
TMG SERIES

TOP MOUNTED MEDIUM TEMP GLASS DOOR MERCHANDISERS

TECHNICAL SPECIFICATIONS

MODEL	DIMENSIONS (in.)			DIMENSIONS (mm)			VOLTS	AMPS	UNIT H.P.	NO. OF DOORS	CAP. CU. FT.	SHIP CU. FT.	SHIP WT. LB/KG
	L	D	H*	L	D	H							
TMG-27	31	35 ³ / ₄	85	787	908	2159	115	8.0	1/3	1	27.5	79.0	490/223
TMG-48	52	35 ³ / ₄	85	1321	908	2159	115	8.0	1/3	2	49.0	117.0	685/311
TMG-52	56	35 ³ / ₄	85	1422	908	2159	115	8.0	1/3	2	53.0	128.0	700/318
TMG-74	78	35 ³ / ₄	85	1981	908	2159	115	12.0	1/2	3	75.5	168.7	930/423
TMG-80	84	35 ³ / ₄	85	2134	908	2159	115	12.0	1/2	3	81.6	185.0	960/436

*Height includes 6"-7" adjustable legs.

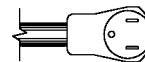


LISTINGS

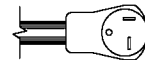


HOOKUP

Via plug in, 9 foot long flexible three wire 14/3 cord with molded plug.



NEMA 5-15P (TMG-27, -48 and -52)



NEMA 5-20P (TMG-74 and -80)

BID SPECIFICATIONS

Item no. TMG-_____ Provide _____ () Top Mounted Medium Temperature Glass Door Merchandiser(s), Master-Bilt model no. TMG-_____.

Merchandiser to be provided with adjustable torsion bar hinges, top mounted low profile interior fan housing, electric

condensate evaporator, metal legs with 6"-7" adjustable range, 800 milliamp bulbs, independent on/off light switch and black door rails and handles. Merchandiser to also have five white epoxy-coated shelves (four cantilever and one bottom) with price tag molding per door.

The refrigeration system is to be top

mounted, self-contained and use R-134a refrigerant. The temperature range will be 34° to 41°F (1° to 5°C).

Merchandiser to have standard limited three year extended compressor warranty and two year limited parts and labor warranty. Merchandiser to be UL, C-UL and NSF listed.

NOTE: Cabinet designed for optimum performance in air-conditioned area at 75°F ambient and 55% relative humidity. All specifications subject to change without notice.



908 Highway 15 North • New Albany, MS 38652
PHONE: 800-647-1284 or 662-534-9061 • FAX: 800-232-3966 or 662-534-6049 • www.master-bilt.com

