

12" CHEMICAL STORAGE CABINETS

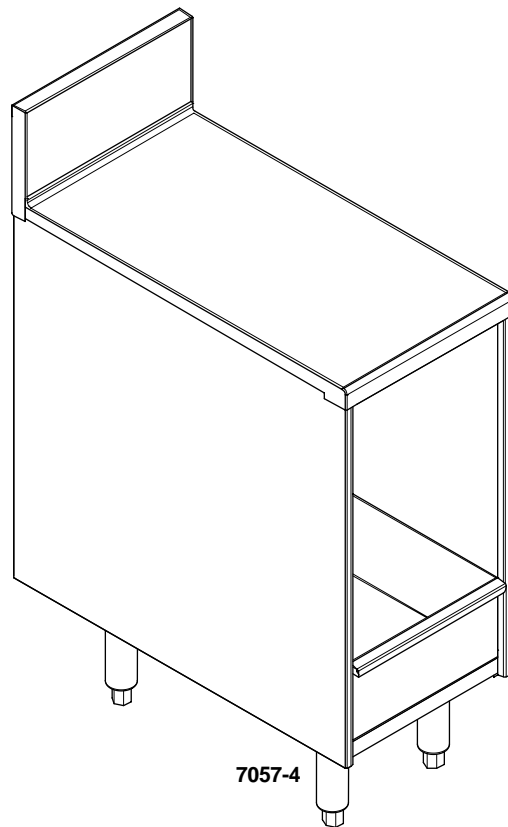
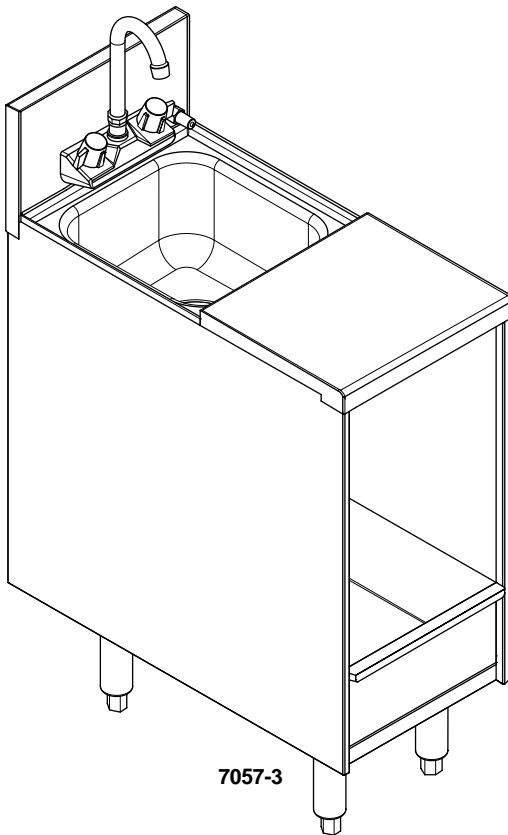
Perlick Features

- Wet waste sink with removable dump box.
- Convenient chemical storage compartment keeps chemical containers off the floor.
- Quick disconnect spray hose for easy cleaning.
- Free-standing station can be used wherever efficient glass handling and washing is needed.
- Stores chemicals in convenient pull-out water-tight pan.

MODEL NOS.

7057-3

7057-4

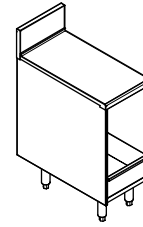
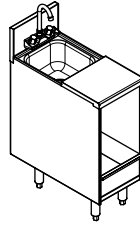


8300 West Good Hope Road • Milwaukee, WI 53223 • Phone 414-353-7060 • Fax 414-353-7069
Toll Free 800-558-5592 • E-Mail: Perlick@Perlick.com • www.Perlick.com

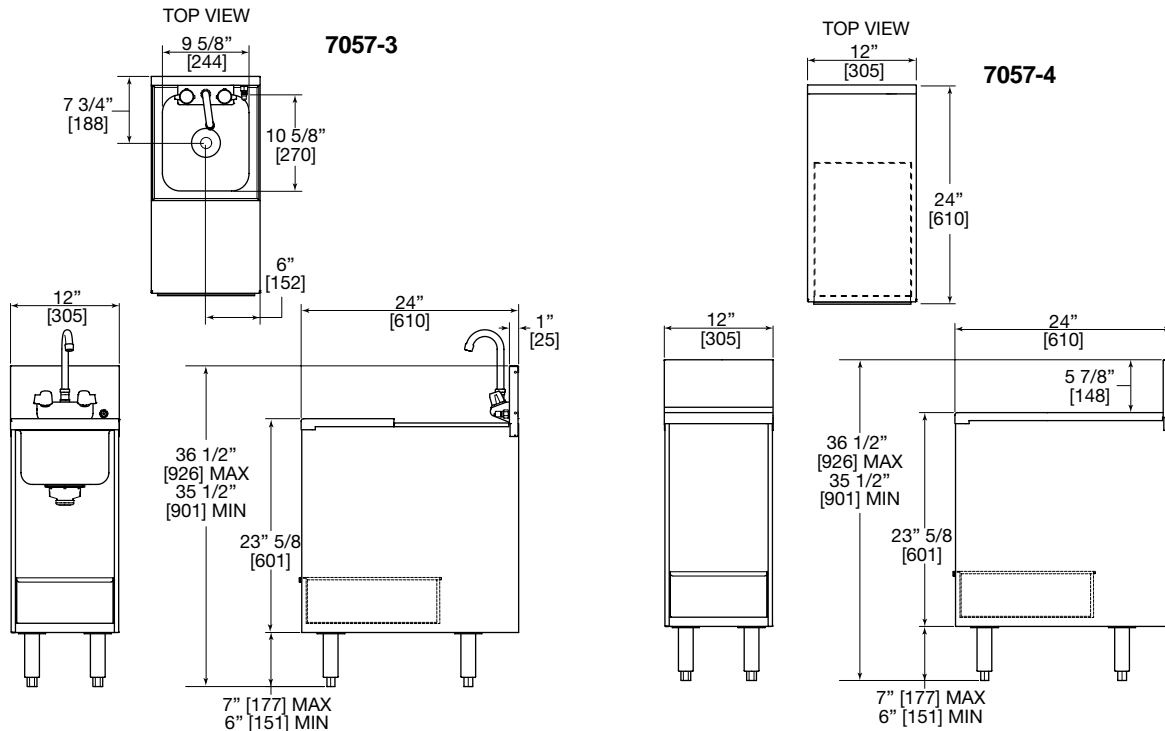
Perlick is committed to continuous improvement. Therefore, we reserve the right to change specifications without prior notice.

Sizes and Specifications Chemical Storage Cabinets

Job _____
 Area _____
 Item No. _____
 Model No. _____



MODEL NOS.	7057-3	7057-4
LENGTH INS (mm)	12" (305)	12" (305)
SHIP WT lbs. (kg)	58 (26)	55 (25)
GENERAL	MODEL 7057-3 & 7057-4 All exterior parts are stainless steel.	
BACKSPLASH	Stainless steel 6" high with 1" return at top, mechanically fastened and sealed with steel support brackets.	
TOP	MODEL 7057-3 All horizontal and vertical edges 1/4" radius with balled corners. MODEL 7057-4 Surface area = 1.9 square feet. 1/4" radius to backsplash.	
SINK	MODEL 7057-3 Undercoated to absorb sound. All horizontal and vertical edges 1 3/4" radius with balled corners. Furnished with 1/2" stainless steel drain socket and duo-strainer. 10 5/8" x 9 5/8" x 6" deep. MODEL 7057-4 Sink not available.	
CHEMICAL COMPARTMENT	Removable water tight stainless steel pan for chemical bottles.	
WATER FAUCET	MODEL 7057-3 Chrome plated, hot and cold, goose-neck faucet. Heavy-duty all brass construction. MODEL 7057-4 Faucet not available.	
SPRAY HOSE	MODEL 7057-3 Black, plastic spray head with four foot reinforced vinyl hose and quick disconnect fitting. MODEL 7057-4 Hose not available.	
LEGS	1 5/8" tubular, stainless steel with 1" adjustable stainless steel foot.	
PLUMBING	MODEL 7057-3 Drain-connection - 1/2" NPS Male. Hot and cold water connection - 3/8" O.D. copper supply tubes. Spray Hose - 3/8" O.D. copper supply tube. MODEL 7057-4 Hose not available.	
OPTIONAL ACCESSORIES	Plastic wet waste strainer box, 10 7/16" x 6 3/8" x 4" (Part No. 7055-52). For Model 7057-3	



8300 West Good Hope Road • Milwaukee, WI 53223 • Phone 414-353-7060 • Fax 414-353-7069
 Toll Free 800-558-5592 • E-Mail: Perlick@Perlick.com • www.Perlick.com