

# CUSTOM NON-REFRIGERATED CABINETS

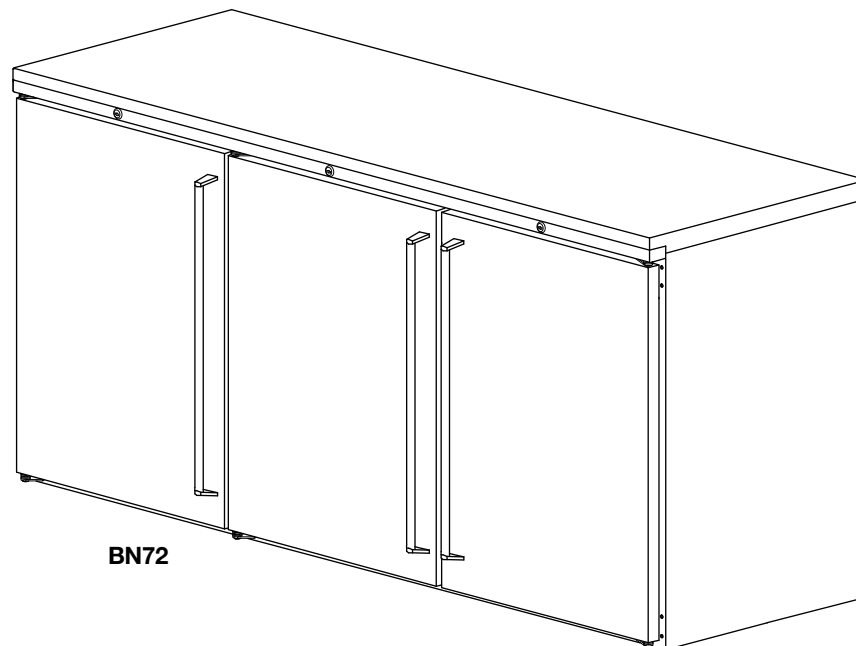
---

## Perlick Features

- Available in 1, 2 and 3 door models.
- Self-closing field reversible doors with locks.
- 2" Foamed-in-place insulation provides greater structural strength.
- Stainless steel top included.
- Stainless steel exterior.
- Heavy-duty stainless steel hinges.
- Adjustable vinyl coated shelves.
- Heavy-duty polyethylene door sill.
- Multiple door finish options

## MODEL NOS.

- BN24
- BN48
- BN72



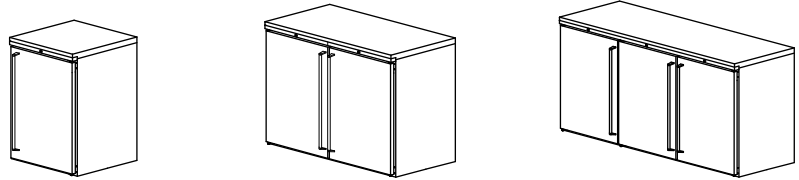
BN72



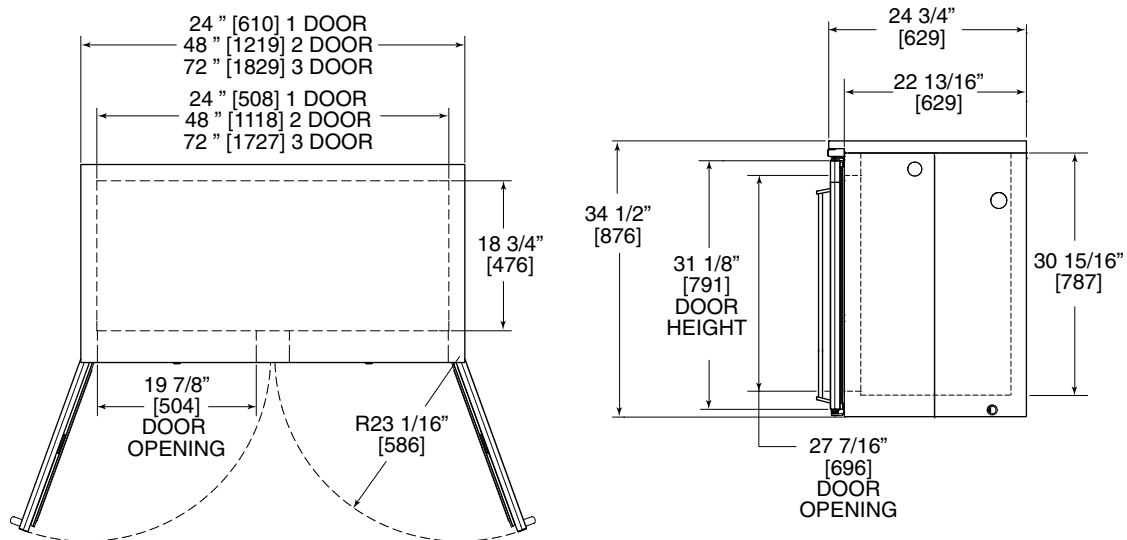
8300 West Good Hope Road • Milwaukee, WI 53223 • Phone 414-353-7060 • Fax 414-353-7069  
Toll Free 800-558-5592 • E-Mail: [Perlick@Perlick.com](mailto:Perlick@Perlick.com) • [www.Perlick.com](http://www.Perlick.com)

# Sizes and Specifications Custom Non-Refrigerated Cabinets

Job \_\_\_\_\_  
 Area \_\_\_\_\_  
 Item No. \_\_\_\_\_  
 Model No. \_\_\_\_\_



MODEL NOS.	BN24	BN48	BN72	
NUMBER OF DOORS	1 Door	2 Door	3 Door	
CABINET DIMENSIONS (mm)	Length - Inches (mm)	24" (610)	48" (1219)	72" (1830)
	Depth - Inches (mm)	24 <sup>3</sup> / <sub>4</sub> " (629)	24 <sup>3</sup> / <sub>4</sub> " (629)	24 <sup>3</sup> / <sub>4</sub> " (629)
	Height - Inches (mm)	34 <sup>1</sup> / <sub>2</sub> " (876)	34 <sup>1</sup> / <sub>2</sub> " (876)	34 <sup>1</sup> / <sub>2</sub> " (876)
NUMBER OF SHELVES	3	6	9	
SHIP WT. Lbs. (kg.)	115 (52)	190 (86)	265 (120)	
INTERIOR	<b>Door sill:</b> High strength polyethylene. Stainless liner, includes pilasters & (2) shelves and floor rack per door.			
EXTERIOR	Front, back, top and sides stainless steel. Bottom galvanized steel. See optional accessories for door finishes.			
DOOR HINGING	Stainless steel hinges with standard locations as illustrated. For special hinging specify hinge locations starting from left to right. Doors are reversible in the field.			
DOOR HARDWARE	<b>Door handles:</b> Choice of full length stainless steel, classic 6" black vinyl wrapped pull or top mounted stainless steel pull tab. <b>Lock finish:</b> chrome.			
INSULATION	Foamed-in-place, 2" walls, 1 <sup>1</sup> / <sub>2</sub> " top.			
OPTIONAL ACCESSORIES & MODIFICATIONS	<ul style="list-style-type: none"> <li>• Leg set</li> <li>• Laminated top</li> <li>• Laminated ends</li> </ul>	<ul style="list-style-type: none"> <li>• Brass hardware (classic &amp; full length handle only)</li> <li>• Base plates</li> <li>• Caster sets</li> </ul>	<b>Door finishes</b> <ul style="list-style-type: none"> <li>• Black vinyl clad</li> <li>• Stainless steel</li> <li>• Customers choice of laminate</li> <li>• Prepared for field lamination</li> <li>• Glass door with black vinyl coated frame</li> <li>• Glass door with stainless steel frame</li> <li>• Glass door with laminate frame</li> </ul>	



8300 West Good Hope Road • Milwaukee, WI 53223 • Phone 414-353-7060 • Fax 414-353-7069  
 Toll Free 800-558-5592 • E-Mail: Perlick@Perlick.com • www.Perlick.com