

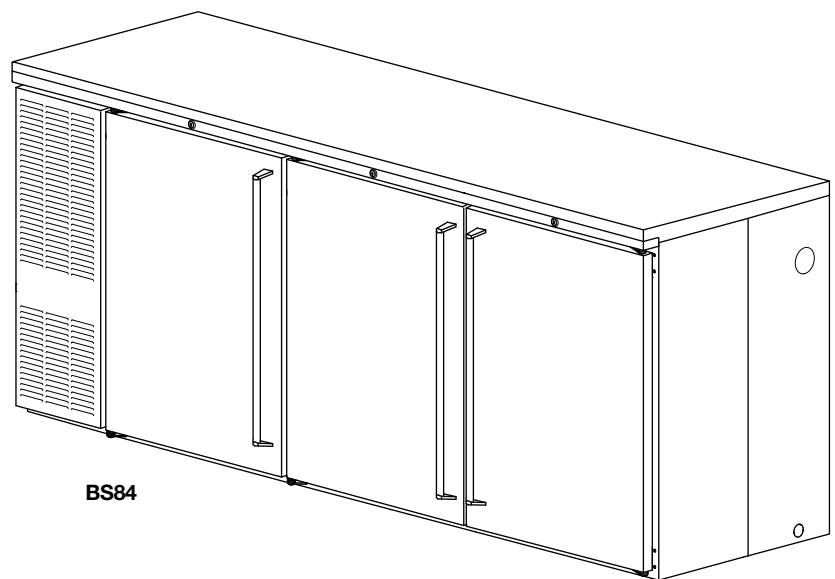
CUSTOM SELF-CONTAINED CABINETS

Perlick Features

- Available in 2, 3 or 4 door models.
- Front vented compressor.
- Self-closing field reversible doors with locks.
- Approved for ANSI/NSF #7 open food.
- Quiet-running, high efficiency compressor.
- Two inch foamed-in-place insulation provides greater energy efficiency and structural strength.
- Two inch thermal breaks and mullion heaters combine to resist condensation build up around the door openings.
- Low-E glass doors improve insulation and resist condensation on the glass.
- Compact fluorescent light above each door fully illuminates interior.
- Heavy-duty, reinforced base will not bend or sag.
- Heavy-duty polyethylene door sill.
- Stainless steel exterior.
- Heavy-duty stainless steel hinges.
- Epoxy coated evaporator coil.
- Optional draft beer dispensing system available with a variety of dispensing head styles.
- Vinyl coated shelves.
- Stainless steel top included.
- Multiple door finish options.

MODEL NOS.

- BS60
- BS84
- BS108



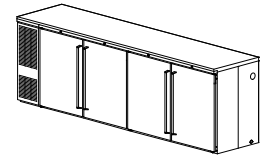
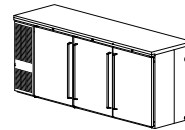
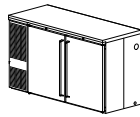
BS84



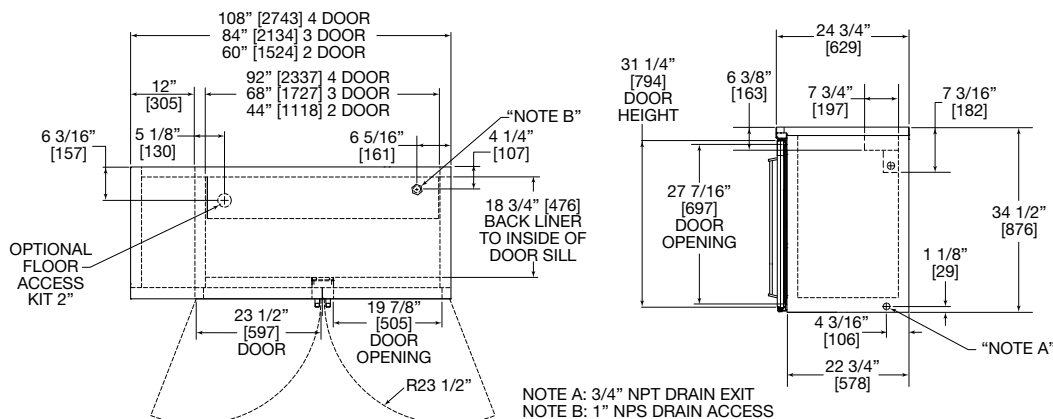
8300 West Good Hope Road • Milwaukee, WI 53223 • Phone 414-353-7060 • Fax 414-353-7069
Toll Free 800-558-5592 • E-Mail: Perlick@Perlick.com • www.Perlick.com

Sizes and Specifications Custom Self-Contained Cabinets

Job _____
 Area _____
 Item No. _____
 Model No. _____



MODEL NOS.	BS60	BS84	BS108	
NUMBER OF DOORS	2 Door	3 Door	4 Door	
CABINET DIMENSIONS	Length - Inches (mm)	60" (1524)	84" (2134)	108" (2743)
	Depth - Inches (mm)	24 ³ / ₄ " (629)	24 ³ / ₄ " (629)	24 ³ / ₄ " (629)
	Height - Inches (mm)	34 ¹ / ₂ " (876)	34 ¹ / ₂ " (876)	34 ¹ / ₂ " (876)
CASE CAPACITY (based on 12 oz. Long Neck bottle)	15	24	32	
CONDENSING UNIT H.P.	1/4	1/3	1/3	
RUNNING LOAD -AMPS	6.3	8.1	8.3	
Ship Wt. Lbs. (kg.)	380 (172)	490 (222)	630 (286)	
INTERIOR	Door sill: High strength polyethylene. Door pan and ceiling: High strength polystyrene. Floor pan and Walls: Stainless steel. Includes pilasters, (2) vinyl coated shelves and floor rack per door, and interior lights.			
EXTERIOR	Front, back, top and sides stainless steel. Bottom galvanized steel. See optional accessories for door and grille finishes.			
DOOR HINGING	Stainless steel hinges with standard location as illustrated. For special hinging specify hinge locations starting from left to right. Field reversible.			
DOOR HARDWARE	Door handles: Choice of full length stainless steel, classic 6" black vinyl wrapped pull or top mounted stainless steel pull tab. Lock finish: chrome.			
REFRIGERATION	R-134a capillary tube-type. Aluminum fin and copper tube evaporator, epoxy coated coil. Adjustable temperature control. Self-defrosting. Pull out condensing unit for service and cleaning. Compressor left, standard.			
ELECTRICAL	115V, 60Hz., 1 phase AC. Furnished with 3-prong, 6 foot NEMA5-15 PC cord. Contact Perlick for other voltage/frequency requirements.			
PLUMBING	Evaporator condensate is removed automatically. Optional floor drain with 3/4" NPT at right end or 1" NPS out bottom come plugged from factory.			
INSULATION	Foamed-in-place polyurethane, 2" walls, 1 1/2" top.			
OPTIONAL ACCESSORIES & MODIFICATIONS	<ul style="list-style-type: none"> • Leg set • Beer dispensing tapping kit** • Laminated top • Laminated ends • Compressor right • Brass hardware (classic & full length only) • Caster sets • Base plates • Floor access kit 	Door finishes Black vinyl coated Stainless steel Customer choice of laminate Painted in color of choice Prepared for field lamination Glass door with black vinyl coated frame Glass door with stainless steel frame Glass door with laminated frame	Grille finishes Black vinyl coated Stainless steel Customer choice of laminate Painted in color of choice	



8300 West Good Hope Road • Milwaukee, WI 53223 • Phone 414-353-7060 • Fax 414-353-7069
 Toll Free 800-558-5592 • E-Mail: Perlick@Perlick.com • www.Perlick.com