

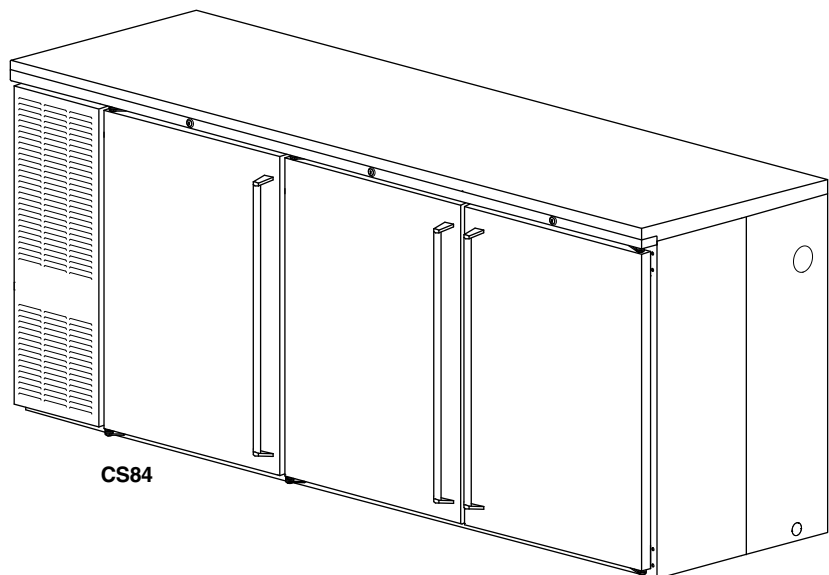
MULTI-DOOR BACK BAR COOLER SERIES

Perlick Features

- Available in two, three or four door models.
- Front vented compressor.
- Self-closing field reversible doors with locks.
- Quiet-running, high efficiency compressor.
- Two inch foamed-in-place insulation provides greater energy efficiency and structural strength.
- Two inch thermal breaks and mullion heaters combine to resist condensation build up around door openings.
- Low-E glass doors improve insulation and resist condensation on the glass.
- Lights above each door fully illuminate interior.
- Heavy-duty, reinforced base will not bend or sag.
- Heavy-duty polyethylene door sill.
- Stainless steel exterior.
- Heavy-duty stainless steel hinges.
- Epoxy coated evaporator coil.

Model Nos.

- CS60
- CS84
- CS108

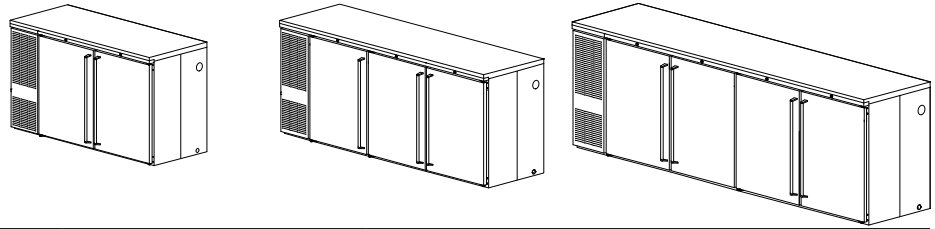


8300 West Good Hope Road • Milwaukee, WI 53223 • Phone 414-353-7060 • Fax 414-353-7069
Toll Free 800-558-5592 • E-Mail: Perlick@Perlick.com • www.Perlick.com

Form No. 090705
Rev. 05.24.10

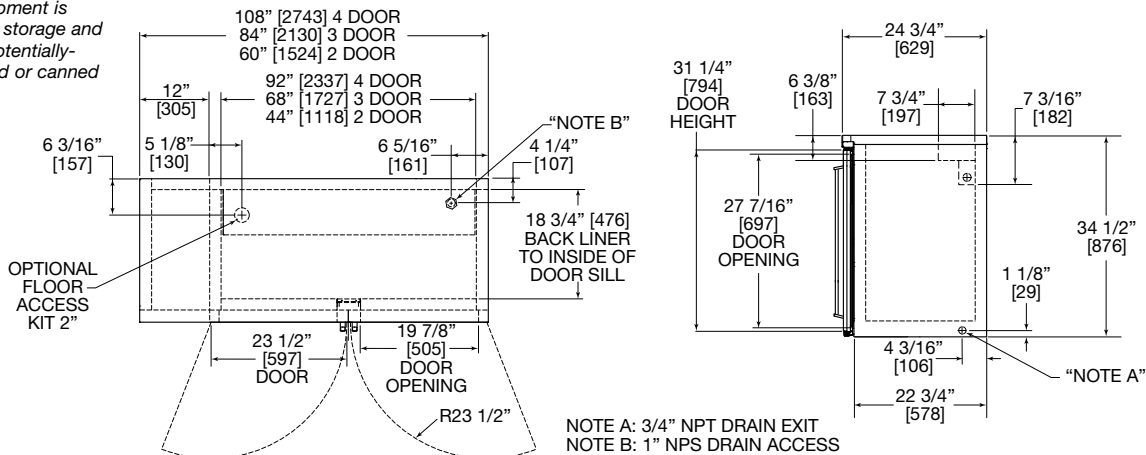
Sizes and Specifications Multi-Door Back Bar Cooler Series

Job _____
 Area _____
 Item No. _____
 Model No. _____



		MODEL NOS.		
DOOR FINISH	Black - Solid	CS60SB	CS84SB	CS108SB
	Black w/Glass Doors	CS60SG	CS84SG	CS108SG
	Stainless Steel	CS60SS	CS84SS	CS108SS
	Stainless w/Glass Doors	CS60ST	CS84ST	CS108ST
CABINET DIMENSIONS	Length - Inches (mm)	60" (1524)	84" (2134)	108" (2743)
	Depth - Inches (mm)	24 ³ / ₄ " (629)	24 ³ / ₄ " (629)	24 ³ / ₄ " (629)
	Height - Inches (mm)	34 ¹ / ₂ " (876)	34 ¹ / ₂ " (876)	34 ¹ / ₂ " (876)
NUMBER OF DOORS		2	3	4
NUMBER OF SHELVES		4	6	8
CASE CAPACITY (based on 12oz Long Neck bottle)		15	24	32
CONDENSING UNIT H.P.		1/4	1/3	1/3
RUNNING LOAD - AMPS		5.9	7.5	7.5
SHIP WT Lbs. (kg)		380 (172)	490 (222)	630 (286)
INTERIOR	Door sill: High strength polyethylene. Door pan and ceiling: High strength polystyrene. Floor pan: Stainless steel. Walls: Galvanized steel. Vinyl coated shelves. Includes interior light.			
EXTERIOR	Front, back, top and sides stainless steel. Bottom galvanized steel. See optional accessories for door and grille finishes.			
DOOR HINGING	Stainless steel hinges with standard locations as illustrated. Field reversible.			
DOOR HARDWARE	Door handles: Full length stainless steel handle. Lock finish: chrome			
REFRIGERATION	R-134A capillary tube-type. Aluminum fin and copper tube evaporator, epoxy coated coil. Adjustable temperature control. Self-defrosting. Pull-out condensing unit for service and cleaning. Compressor left, standard.			
ELECTRICAL	115V, 60Hz., 1 phase AC. Furnished with 3-prong, 6 foot NEMA5-15P cord. Contact Perlick for other voltage/ frequency requirements.			
PLUMBING	Evaporator condensate is removed automatically. Optional floor drain with 3/4" NPT at right end or 1" NPS out bottom come plugged from factory.			
INSULATION	Foamed-in-place polyurethane, 2" walls, 1 1/2" top.			
OPTIONAL ACCESSORIES & MODIFICATIONS	<ul style="list-style-type: none"> • Leg set • Caster sets • Base plates Grille finishes <ul style="list-style-type: none"> • Black vinyl coated • Stainless steel 			

NOTE: This equipment is intended for the storage and display of non-potentially-hazardous bottled or canned products only.



8300 West Good Hope Road • Milwaukee, WI 53223 • Phone 414-353-7060 • Fax 414-353-7069
 Toll Free 800-558-5592 • E-Mail: Perlick@Perlick.com • www.Perlick.com