


# 24" SINGLE DOOR CUSTOM SERIES REFRIGERATOR/FROSTER/WINE RESERVE

## Perlick Features

- Front vented compressor.
- Self-closing doors.
- Self contained, no plumbing required.
- Whisper quiet 700 BTU high efficiency compressor.
- Stainless steel interior standard.
- Stainless steel exterior top and sides standard.
- Two inch foamed-in-place insulation.
- Interior light.
- Adjustable full extension pull out vinyl coated shelves.
- Multiple door finish options.
- Low-E glass doors improve insulation and resist condensation on the glass.
- Froster is equipped with push button defrost system.

## MODEL NOS.

- HC24RS 
- HC24FS
- HC24WS

† BC36 Model Only



HC24RS



HC24WS  
(with optional  
glass door)



8300 West Good Hope Road • Milwaukee, WI 53223 • Phone 414-353-7060 • Fax 414-353-7069  
Toll Free 800-558-5592 • E-Mail: [Perlick@Perlick.com](mailto:Perlick@Perlick.com) • [www.Perlick.com](http://www.Perlick.com)

Form No. 010609  
Rev. 05.26.10

# Sizes and Specifications - 24" Single Door Custom Series Refrigerator/Froster/Wine Reserve

Job \_\_\_\_\_  
 Area \_\_\_\_\_  
 Item No. \_\_\_\_\_  
 Model No. \_\_\_\_\_

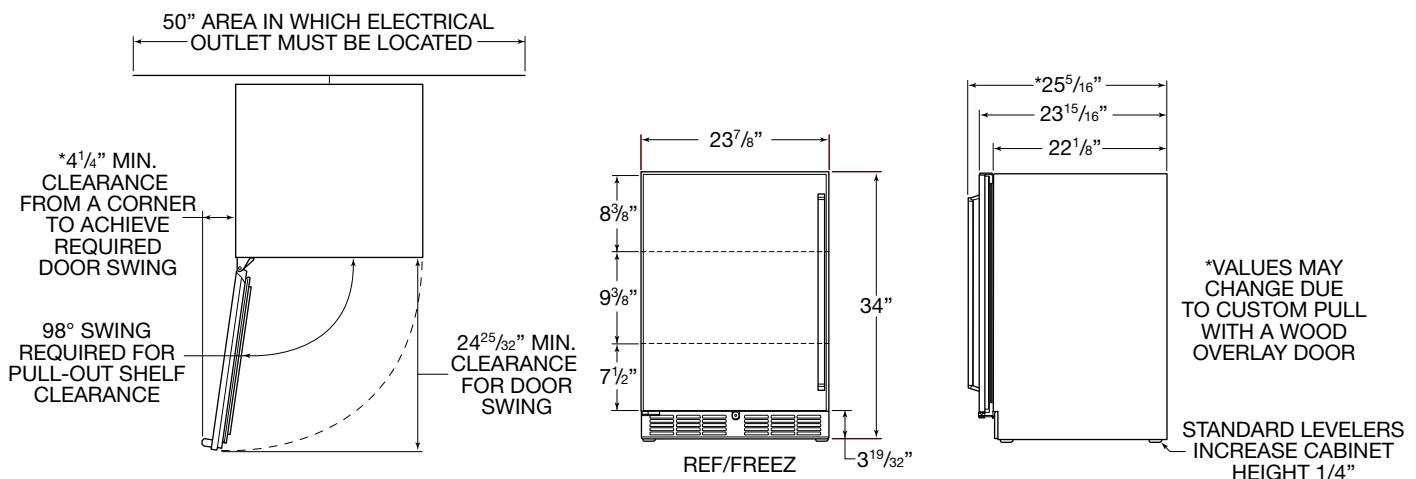


MODEL NOS.		HC24RS <sup>†</sup>	HC24FS	HC24WS
CABINET DIMENSIONS	Length - Inches (mm)	237/8" (607)	237/8" (607)	237/8" (607)
	Depth - Inches (mm)	2315/16" (608)	2315/16" (608)	2315/16" (608)
	Height - Inches (mm)	34" (870)	34" (870)	34" (870)
INTERIOR VOLUME - CUBIC FOOT (m <sup>3</sup> )		5.3 (0.15)	5.3 (0.15)	5.3 (0.15)
SHELVING		2 Full Extension Shelves	2 Full Extension Shelves	5 Full Extension Wine Racks
CAPACITY*		5 cases	86 glasses	45 wine bottles
TEMPERATURE RANGE		32°F to 42°F (0C to 6C)	-10°F to +10°F (-23C to -12C)	45°F to 65°F (7C to 18C)
RUNNING LOAD - AMPS		2.3	2.3	2.3
CONDENSER UNIT H.P.		1/6 HP	1/6 HP	1/6 HP
SHIP WT Lbs. (kg)		195 (89)	195 (89)	215 (98)
INTERIOR		All stainless steel interior.		
EXTERIOR		Stainless steel top, sides and grille, galvanized back and bottom. See door finishes under optional accessories.		
REFRIGERATION		R-134a capillary tube-type with hermetic compressor. Front access condenser. Froster equipped with automatic 4 hour hot gas defrost cycle and manual 6 hour defrost with auto restart.		
ELECTRICAL		115V, 60Hz., 1 phase, furnished with 3-prong NEMA 5-15P plug, 6 foot long cord.		
PLUMBING		None required. Moisture drains to self evaporating condensate pan.		
VENTILATION		Front vented.		
OPTIONAL ACCESSORIES & MODIFICATIONS		<ul style="list-style-type: none"> <li>• Leg set (6" - 71/4" high)</li> <li>• Caster Set (33/4" high)</li> <li>• Door Lock</li> </ul> Brass hardware (classic, 12" & full length) or pull tab  <b>Door finishes</b> Black vinyl coated Stainless steel	Customer choice of laminate Powder coated (color options)** Prepared for field lamination Glass door with black vinyl frame	Glass door with stainless steel frame Glass door with laminated frame Glass door with powder coated frame**

\* Froster - glass size 3" diameter. Refrigerator - 12 oz. long neck bottles. Wine - 750ml wine bottles.

\*\* Call Milwaukee or see our web site for standard or custom color options.

† BC36 Model Only.



8300 West Good Hope Road • Milwaukee, WI 53223 • Phone 414-353-7060 • Fax 414-353-7069  
 Toll Free 800-558-5592 • E-Mail: Perlick@Perlick.com • www.Perlick.com