

# CUSTOM SELF-CONTAINED NARROW DOOR CABINETS

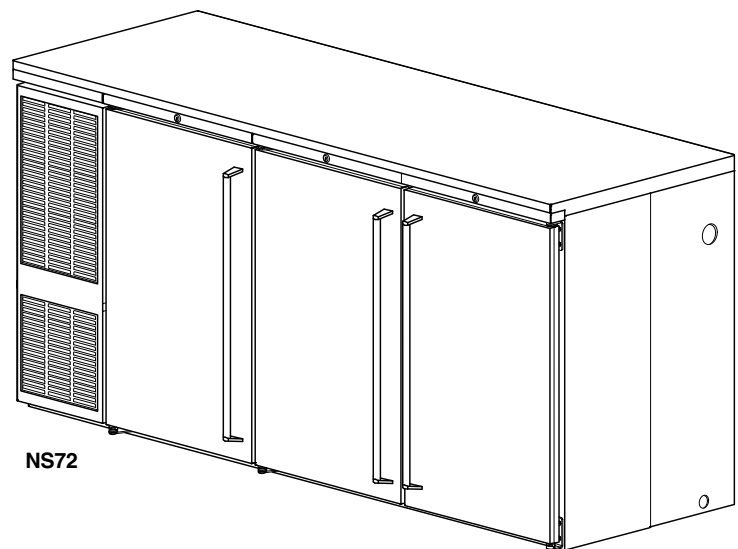
## Perlick Features

- Available in 2 or 3 door models.
- Front vented compressor.
- Self-closing field reversible doors with locks.
- Quiet-running, high efficiency compressor.
- Two inch foamed-in-place insulation provides greater energy efficiency and structural strength.
- Two inch thermal breaks and mullion heaters combine to resist condensation build up around the door openings.
- Low-E glass doors improve insulation and resist condensation on the glass.
- Compact fluorescent light above each door fully illuminates interior.
- Heavy-duty, reinforced base will not bend or sag.
- Stainless steel exterior.
- Heavy-duty stainless steel hinges.
- Epoxy coated evaporator coil.
- Stainless steel top included.
- Vinyl coated shelves.
- Multiple door finish options.

## MODEL NOS.

NS52

NS72



NS72



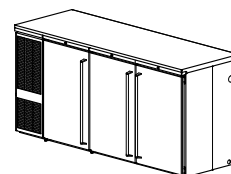
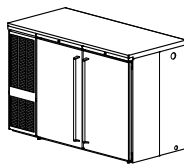
8300 West Good Hope Road • Milwaukee, WI 53223 • Phone 414-353-7060 • Fax 414-353-7069  
Toll Free 800-558-5592 • E-Mail: [Perlick@Perlick.com](mailto:Perlick@Perlick.com) • [www.Perlick.com](http://www.Perlick.com)

Form No. 020306  
Rev. 05.22.10

# Sizes and Specifications

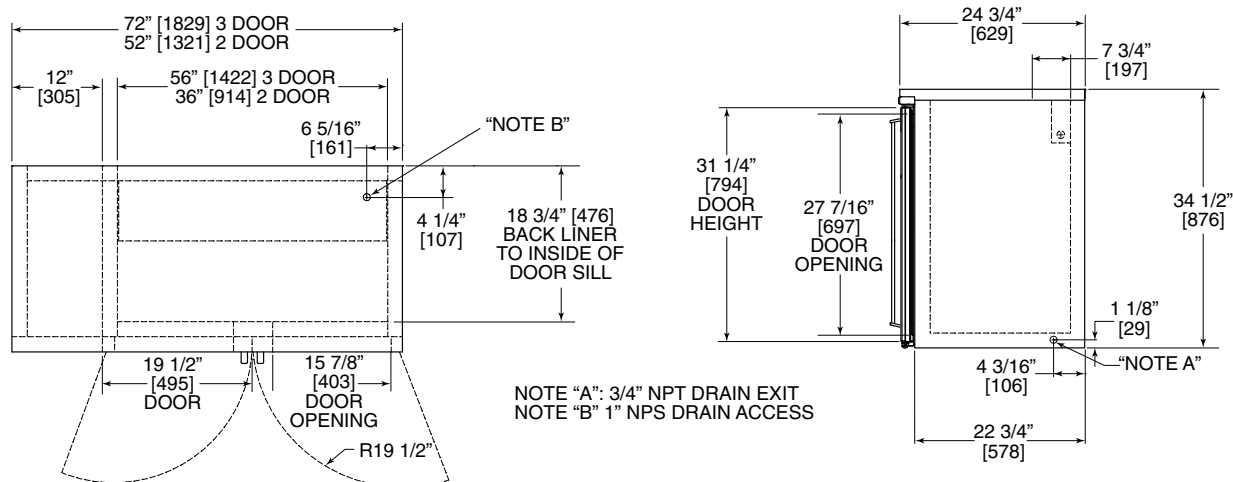
## Custom Self-Contained Narrow Door Cabinets

Job \_\_\_\_\_  
 Area \_\_\_\_\_  
 Item No. \_\_\_\_\_  
 Model No. \_\_\_\_\_



MODEL NOS.	NS52	NS72	
NUMBER OF DOORS	2 Door	3 Door	
CABINET DIMENSIONS	Length - Inches (mm)	52" (1321)	72" (1829)
	Depth - Inches (mm)	24 <sup>3</sup> / <sub>4</sub> " (629)	24 <sup>3</sup> / <sub>4</sub> " (629)
	Height - Inches (mm)	34 <sup>1</sup> / <sub>2</sub> " (876)	34 <sup>1</sup> / <sub>2</sub> " (876)
CASE CAPACITY (based on 12oz. Long Neck bottle)	12	18	
CONDENSING UNIT H.P.	1/4	1/3	
RUNNING LOAD - AMPS	5.5	8.1	
SHIP WT. Lbs. (kg.)	340 (155)	430 (195)	
INTERIOR	<b>Door pan and ceiling:</b> High strength polystyrene. <b>Floor pan and Walls:</b> Stainless steel. Includes pilasters, (2) vinyl coated shelves and floor rack per door, and interior lights.		
EXTERIOR	Front, back, top and sides stainless steel. Bottom galvanized steel. See optional accessories for door and grille finishes.		
DOOR HINGING	Stainless steel hinges with standard locations as illustrated. For special hinging specify hinge locations starting from left to right. Field reversible		
DOOR HARDWARE	<b>Door handles:</b> Choice of full length stainless steel, classic 6" black vinyl wrapped pull or top mounted stainless steel pull tab. <b>Lock finish:</b> chrome		
REFRIGERATION	R-134a capillary tube-type. Aluminum fin and copper tube evaporator, epoxy coated coil. Adjustable temperature control. Self-defrosting. Pull-out condensing unit for service and cleaning. Compressor left, standard.		
ELECTRICAL	115V, 60Hz., 1 phase AC. Furnished with 3-prong, 6 foot NEMA5-15 PC cord. Contact Perlick for other voltage/frequency requirements.		
PLUMBING	Evaporator condensate is removed automatically. Optional floor drain with 3/4" NPT at right end or 1" NPS out bottom come plugged from factory.		
INSULATION	Foamed-in-place polyurethane, 2" walls, 1 <sup>1</sup> / <sub>2</sub> " top.		
OPTIONAL ACCESSORIES & MODIFICATIONS	<ul style="list-style-type: none"> <li>• Leg set</li> <li>• Compressor right</li> <li>• Brass hardware (classic &amp; full length only)</li> <li>• Caster sets</li> <li>• Base plates</li> </ul>	<b>Door finishes</b> Black vinyl coated Stainless steel Painted in color of choice Glass door with black vinyl coated frame Glass door with stainless steel frame	<b>Grille finishes</b> Black vinyl coated Stainless steel Painted in color of choice

NOTE: This equipment is intended for the storage and display of non-potentially-hazardous bottled or canned products only.



8300 West Good Hope Road • Milwaukee, WI 53223 • Phone 414-353-7060 • Fax 414-353-7069  
 Toll Free 800-558-5592 • E-Mail: Perlick@Perlick.com • www.Perlick.com