

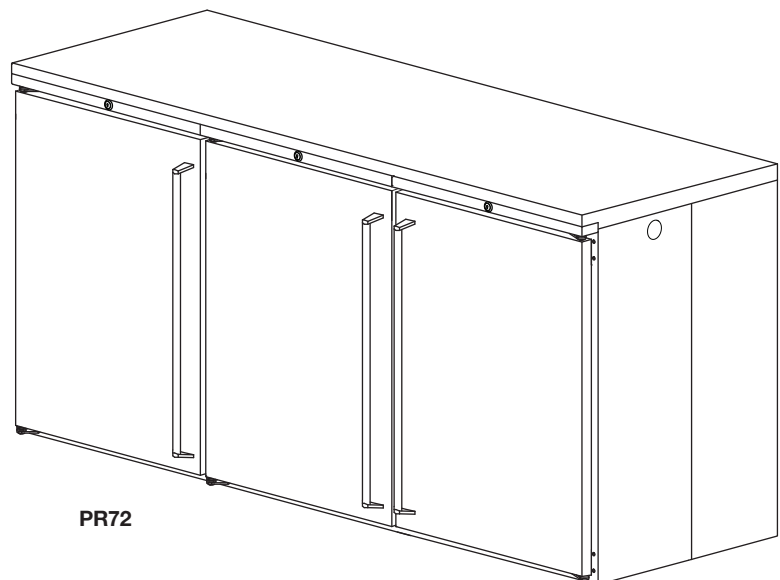
# CUSTOM PASS-THRU CABINETS with REMOTE REFRIGERATION

## Perlick Features

- Available with two or three doors on each side.
- Self-closing field reversible doors with locks.
- Two inch foamed-in-place insulation provides greater energy efficiency and structural strength.
- Low-E glass doors improve insulation and resist condensation on the glass.
- Four lights fully illuminate interior.
- Heavy-duty, reinforced base will not bend or sag.
- Heavy-duty polyethylene door sill.
- Stainless steel exterior.
- Heavy-duty stainless steel hinges.
- Epoxy coated evaporator coil.
- Optional draft beer dispensing system available with a variety of dispensing head styles. (PR72 Only)
- Vinyl coated shelves.
- Stainless steel top included.
- Multiple door finish options.

## MODEL NOS.

- PR48 Series
- PR72 Series



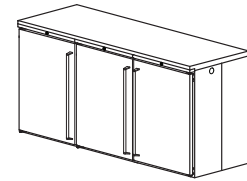
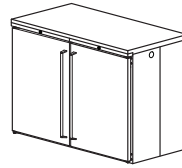
PR72



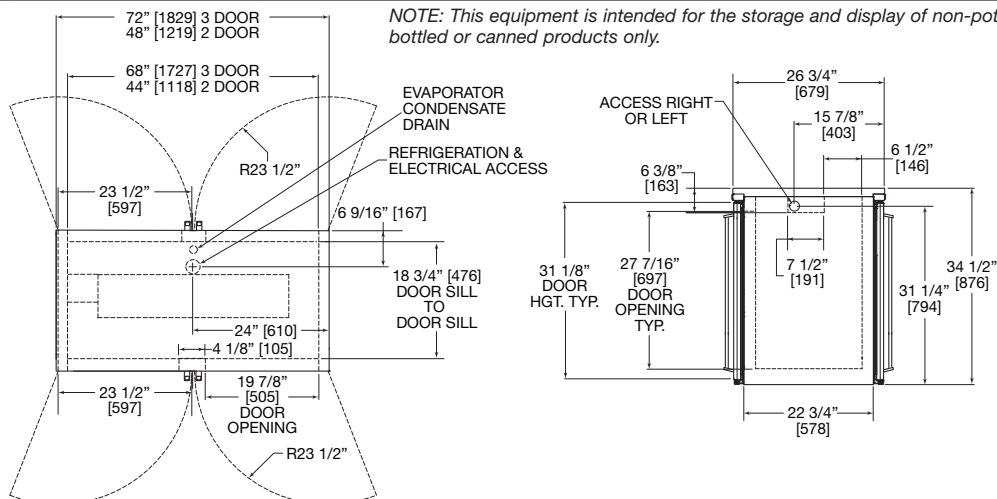
8300 West Good Hope Road • Milwaukee, WI 53223 • Phone 414-353-7060 • Fax 414-353-7069  
Toll Free 800-558-5592 • E-Mail: [Perlick@Perlick.com](mailto:Perlick@Perlick.com) • [www.Perlick.com](http://www.Perlick.com)

# Sizes and Specifications Custom Pass-Thru Cabinets with Remote Refrigeration

Job \_\_\_\_\_  
 Area \_\_\_\_\_  
 Item No. \_\_\_\_\_  
 Model No. \_\_\_\_\_



MODEL NOS.		PR40	PR72
NUMBER OF DOORS		2 Door	3 Door
CABINET DIMENSIONS	Length - Inches (mm)	48" (1219)	72" (1829)
	Depth - Inches (mm)	26 <sup>3</sup> / <sub>4</sub> " (629)	26 <sup>3</sup> / <sub>4</sub> " (629)
	Height - Inches (mm)	34 <sup>1</sup> / <sub>2</sub> " (876)	34 <sup>1</sup> / <sub>2</sub> " (876)
CASE CAPACITY (based on 12oz. Long Neck bottle)		15	24
AMPS		.9	.9
EVAPORATOR CAPACITY@20° F (BTU/HR)		1900	2300
SHIP WT. Lbs. (kg.)		310 (141)	400 (181)
INTERIOR	<b>Door sill:</b> High strength polyethylene. <b>Door pan and ceiling:</b> High strength polystyrene. <b>Floor pan and Walls:</b> Stainless steel. Includes plasters, (2) vinyl coated shelves and floor rack per door, and interior lights.		
EXTERIOR	Front, back, top and sides stainless steel. Bottom galvanized steel. See optional accessories for door finishes.		
DOOR HINGING	Stainless steel hinges with standard locations as illustrated. For special hinging specify hinge locations starting from left to right. Field reversible		
DOOR HARDWARE	<b>Door handles:</b> Choice of full length stainless steel, classic 6" black vinyl wrapped pull or top mounted stainless steel pull tab. <b>Lock finish:</b> chrome		
REFRIGERATION	Aluminum fin and copper tube evaporator, epoxy coated coil. Factory installed expansion valve. Choice of R22, R404A or R134a. Copper tube connection stubbed out left side of evaporator assembly. Suction line accepts 3/8" O.D. copper tubing. Liquid line accepts 1/4" O.D. copper tubing.		
ELECTRICAL	115V, 60Hz., 1 phase AC. Contact Perlick for other voltage/frequency requirements.		
PLUMBING	Cabinet comes with 4 feet of 1/2" vinyl tubing for evaporator drain. The tubing exits from the center bottom of the cabinet thru a 15/16" Dia. hole in back of the mullion.		
INSULATION	Foamed-in-place polyurethane, 2" walls, 1 1/2" top.		
OPTIONAL ACCESSORIES & MODIFICATIONS	<ul style="list-style-type: none"> <li>• Leg set</li> <li>• Tapping kit - 3 door only</li> <li>• Laminated top</li> <li>• Laminated ends</li> <li>• Brass hardware (classic &amp; full length only)</li> <li>• Caster sets</li> <li>• Base plates</li> <li>• Floor access kit</li> </ul> <p style="text-align: right;"><b>Door finishes</b></p> <ul style="list-style-type: none"> <li>Black vinyl coated</li> <li>Stainless steel</li> <li>Customer choice of laminate</li> <li>Painted in color of choice</li> <li>Prepared for field lamination</li> <li>Glass door with black vinyl coated frame</li> <li>Glass door with stainless steel frame</li> <li>Glass door with laminated frame</li> </ul>		



8300 West Good Hope Road • Milwaukee, WI 53223 • Phone 414-353-7060 • Fax 414-353-7069  
 Toll Free 800-558-5592 • E-Mail: Perlick@Perlick.com • www.Perlick.com