

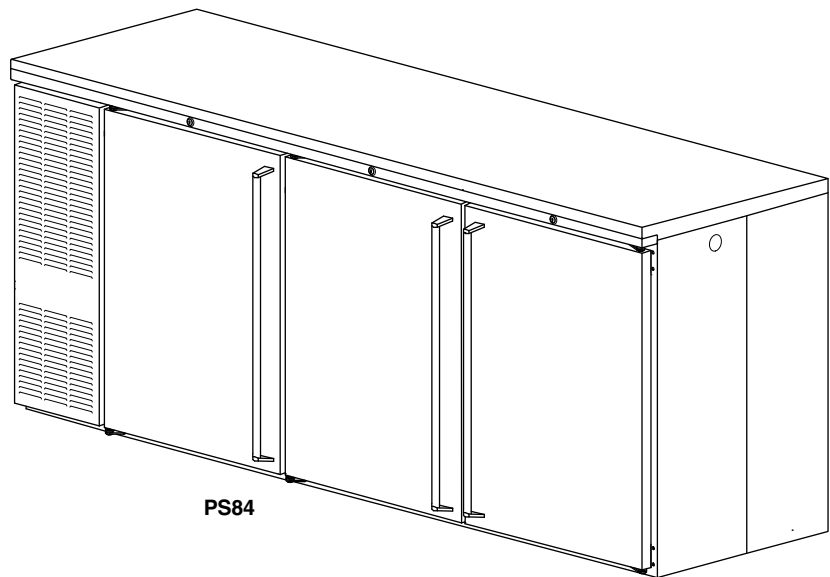
CUSTOM PASS-THRU CABINETS with SELF-CONTAINED REFRIGERATION

Perlick Features

- Available with two or three doors on each side.
- Front vented compressor.
- Self-closing field reversible doors with locks.
- Quiet-running, high efficiency compressor.
- Two inch foamed-in-place insulation provides greater energy efficiency and structural strength.
- Low-E glass doors improve insulation and resist condensation on the glass.
- Four lights fully illuminate interior.
- Heavy-duty, reinforced base will not bend or sag.
- Heavy-duty polyethylene door sill.
- Stainless steel exterior.
- Heavy-duty stainless steel hinges.
- Epoxy coated evaporator coil.
- Optional draft beer dispensing system available with a variety of dispensing head styles. (PS84 Only)
- Vinyl coated shelves.
- Stainless steel top included.
- Multiple door finish options.

MODEL NOS.

- PS60 Series
- PS84 Series

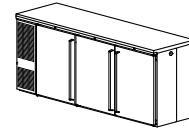
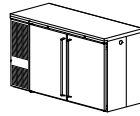


8300 West Good Hope Road • Milwaukee, WI 53223 • Phone 414-353-7060 • Fax 414-353-7069
Toll Free 800-558-5592 • E-Mail: Perlick@Perlick.com • www.Perlick.com

Form No. 091105
Rev. 05.22.10

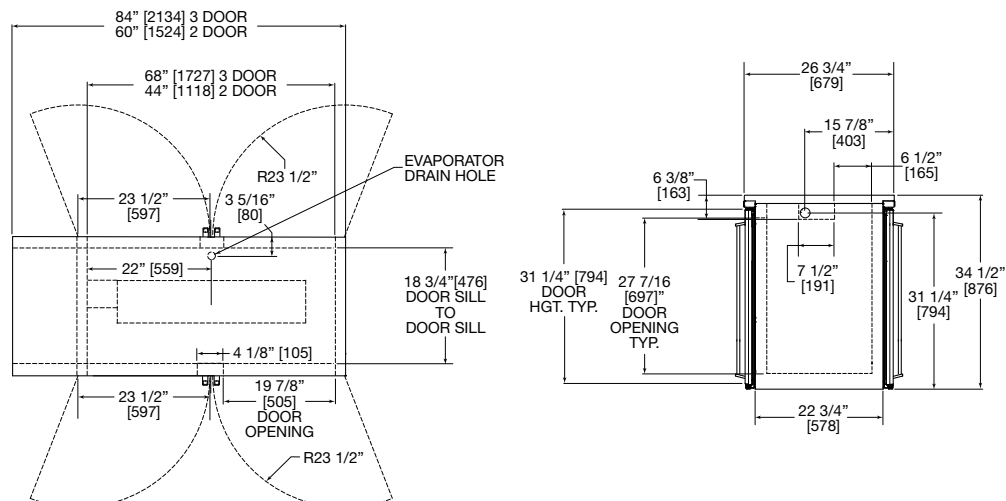
Sizes and Specifications Custom Pass-Thru Cabinets with Self-Contained Refrigeration

Job _____
 Area _____
 Item No. _____
 Model No. _____



MODEL NOS.		PS60	PS64
NUMBER OF DOORS		2 Door	3 Door
CABINET DIMENSIONS	Length - Inches (mm)	60" (1524)	84" (2134)
	Depth - Inches (mm)	26 ³ / ₄ " (629)	26 ³ / ₄ " (629)
	Height - Inches (mm)	34 ¹ / ₂ " (876)	34 ¹ / ₂ " (876)
CASE CAPACITY (based on 12oz. Long Neck bottle)		15	24
CONDENSING UNIT H.P.		1/4	1/3
RUNNING LOAD - AMPS		5.7	7.8
SHIP WT. Lbs. (kg.)		380 (172)	490 (222)
INTERIOR	Door sill: High strength polyethylene. Door pan and ceiling: High strength polystyrene. Floor pan and Walls: Stainless steel. Includes pilasters, (2) vinyl coated shelves and floor rack per door, and interior lights.		
EXTERIOR	Front, back, top and sides stainless steel. Bottom galvanized steel. See optional accessories for door & grille finishes.		
DOOR HINGING	Stainless steel hinges with standard locations as illustrated. For special hinging specify hinge locations starting from left to right. Field reversible		
DOOR HARDWARE	Door handles: Choice of full length stainless steel, classic 6" black vinyl wrapped pull or top mounted stainless steel pull tab. Lock finish: chrome		
REFRIGERATION	R-134a capillary tube-type. Aluminum fin and copper tube evaporator, epoxy coated coil. Adjustable temperature control. Self-defrosting. Pull-out condensing unit for service and cleaning. Compressor left, standard.		
ELECTRICAL	115V, 60Hz., 1 phase AC. Furnished with 3-prong, 6 foot NEMA5-15 P cord which exits through knock-out in bottom of condensing unit compartment. Contact Perlick for other voltage/frequency requirements.		
PLUMBING	Cabinet comes with 4 feet of 1/2" vinyl tubing for evaporator drain. The tubing exits from the center bottom of the cabinet thru a 15/16" Dia. hole in back of the mullion.		
INSULATION	Foamed-in-place polyurethane, 2" walls, 1 1/2" top.		
OPTIONAL ACCESSORIES & MODIFICATIONS	<ul style="list-style-type: none"> • Leg set • Tapping kit - 3 door only** • Laminated top • Laminated ends • Brass hardware (classic & full length only) • Base plates • Condensate Evapaway kit 	Door finishes Black vinyl coated Stainless steel Customer choice of laminate Painted in color of choice Prepared for field lamination Glass door with black vinyl coated frame Glass door with stainless steel frame Glass door with laminated frame	Grille finishes Black vinyl coated Stainless steel Customer choice of laminate Painted in color of choice

NOTE: This equipment is intended for the storage and display of non-potentially-hazardous bottled or canned products only.



8300 West Good Hope Road • Milwaukee, WI 53223 • Phone 414-353-7060 • Fax 414-353-7069
 Toll Free 800-558-5592 • E-Mail: Perlick@Perlick.com • www.Perlick.com