

# CORNER FILLER SECTIONS INSIDE 90° CORNERS WITH FLAT TOP

---

## Perlick Features

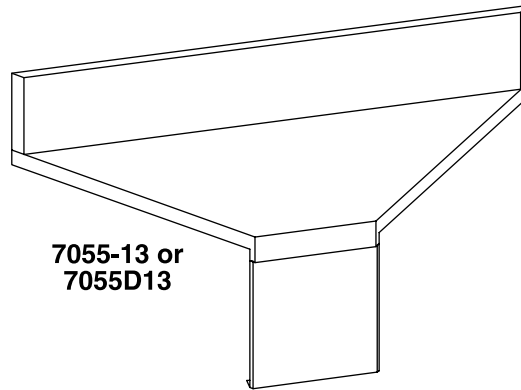
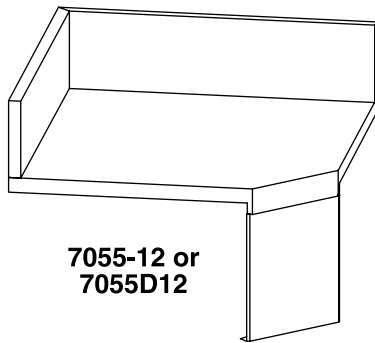
- All stainless steel.
- Underside reinforced.

## MODEL NOS.

- TS Series
- 7055-12
  - 7055-13

## MODEL NOS.

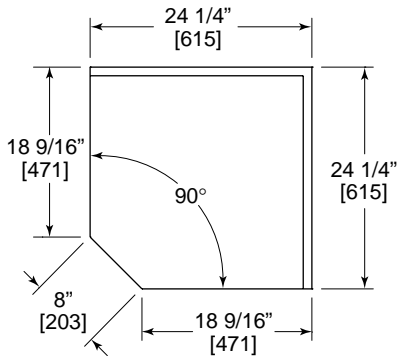
- TSD Series
- 7055D12
  - 7055D13



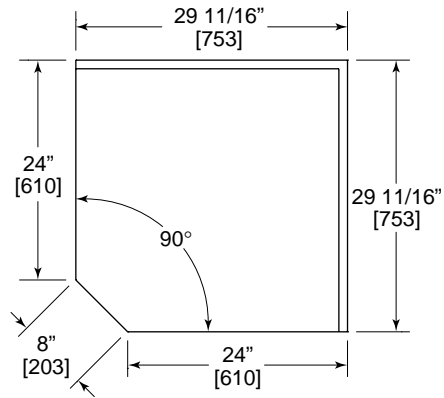
# Sizes and Specifications - Corner Filler Sections Inside 90° Corners w/Flat Top

Job \_\_\_\_\_  
 Area \_\_\_\_\_  
 Item No. \_\_\_\_\_  
 Model No. \_\_\_\_\_

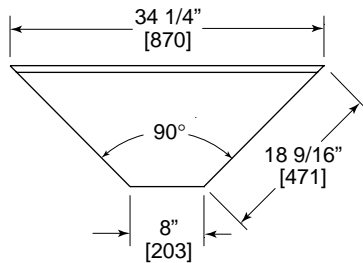
MODEL NOS. (TS Series)	7055-12	7055-13
MODEL NOS. (TSD Series)	7055D12	7055D13
DESCRIPTION	90° Full	90° Clip
SHIP WT lbs. (kg)	20 (9)	20 (9)
GENERAL PARTS	Stainless steel.	
BACKSPLASH	Stainless steel 6" high (4" high optional) with 1" return at top, mechanically fastened and sealed.	



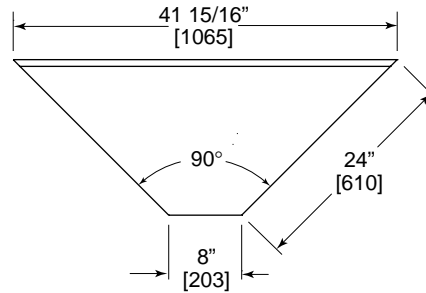
7055-12



7055D12



7055-13



7055D13



8300 West Good Hope Road • Milwaukee, WI 53223 • Phone 414-353-7060 • Fax 414-353-7069  
 Toll Free 800-558-5592 • E-Mail: Perlick@Perlick.com • www.Perlick.com

Perlick is committed to continuous improvement.  
 Therefore, we reserve the right to change specifications without prior notice.

Form No. CF01-1  
 Rev. 03.30.05