

# CORNER FILLER SECTIONS OUTSIDE CORNERS WITH FLAT TOP

## Perlick Features

- All stainless steel.
- Underside reinforced.

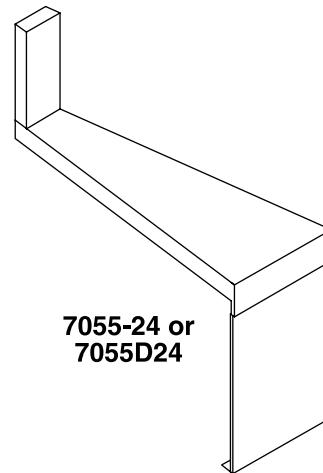
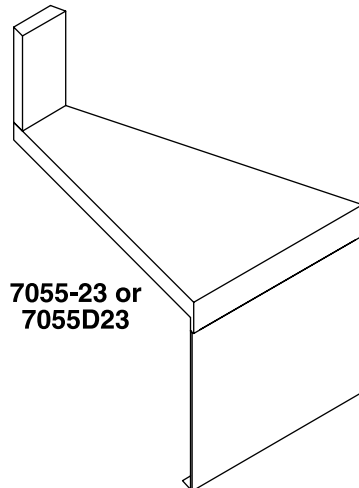
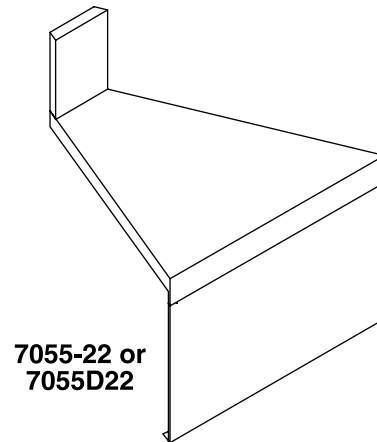
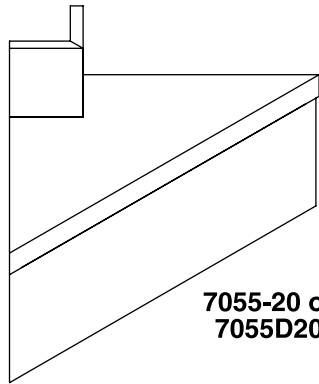
## MODEL NOS.    MODEL NOS.

### TS Series

- 7055-20
- 7055-21
- 7055-22
- 7055-23
- 7055-24

### TSD Series

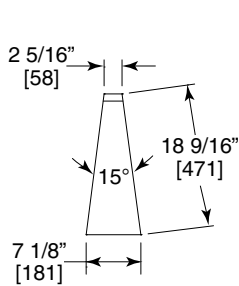
- 7055D20
- N/A
- 7055D22
- 7055D23
- 7055D24



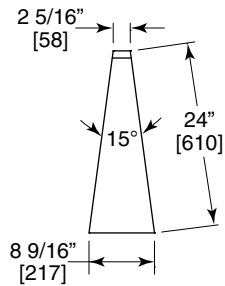
# Sizes and Specifications - Corner Filler Sections Outside Corners with Flat Top

Job \_\_\_\_\_  
 Area \_\_\_\_\_  
 Item No. \_\_\_\_\_  
 Model No. \_\_\_\_\_

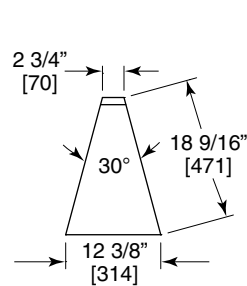
MODEL NOS. (TS Series)	7055-24	7055-23	7055-22	7055-21	7055-20
MODEL NOS. (TSD Series)	7055D24	7055D23	7055D22	N/A	7055D20
Description	15° Clip	30° Clip	45° Clip	60° Clip	90° Clip
Ship wt lbs. (kg)	6 (3)	10 (4)	12 (5)	14 (6)	20 (9)
general Parts	Stainless steel.				
Backsplash	Stainless steel 6" high (4" high optional) with 1" return at top, mechanically fastened and sealed.				



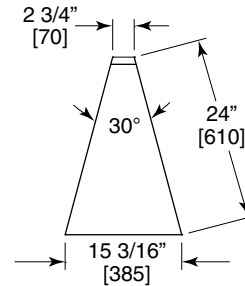
**7055-24**



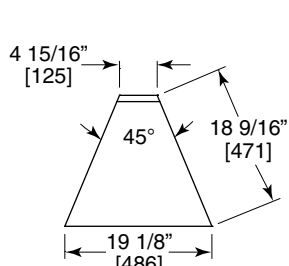
**7055D24**



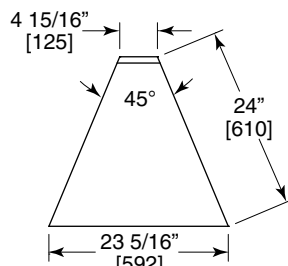
**7055-23**



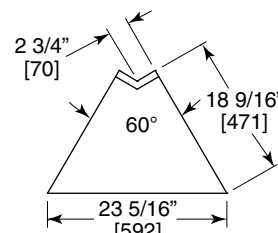
**7055D23**



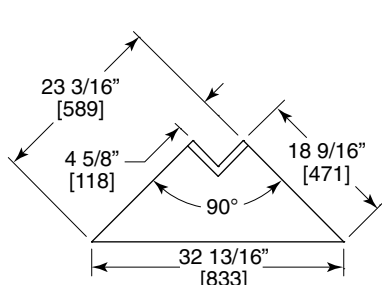
**7055-22**



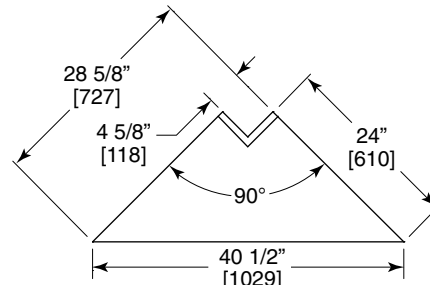
**7055D22**



**7055-21**



**7055-20**



**7055D20**



8300 West Good Hope Road • Milwaukee, WI 53223 • Phone 414-353-7060 • Fax 414-353-7069  
 Toll Free 800-558-5592 • E-Mail: Perlick@Perlick.com • www.Perlick.com

Perlick is committed to continuous improvement.  
 Therefore, we reserve the right to change specifications without prior notice.

Form No. CF02  
 Rev. 03.30.09