

# CORNER FILLER SECTIONS

## INSIDE CORNERS WITH TRIMMED DRAINBOARD TOP

### Perlick Features

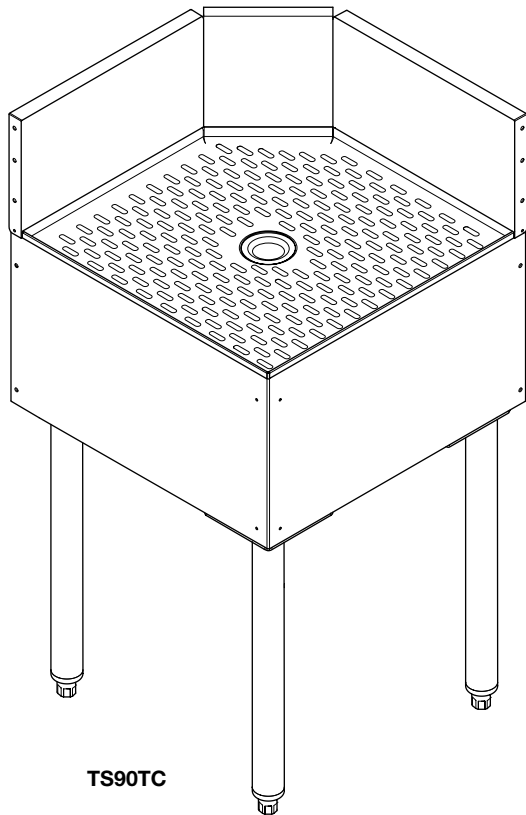
- “Trimmed Corner” provides clearance for utilities/beverage lines.
- Embossed stainless steel drainboard.
- Screw-in legs for fast installation.
- Stainless steel legs install without tools and have “Rust Free” Thermoplastic feet.

### MODEL NOS.

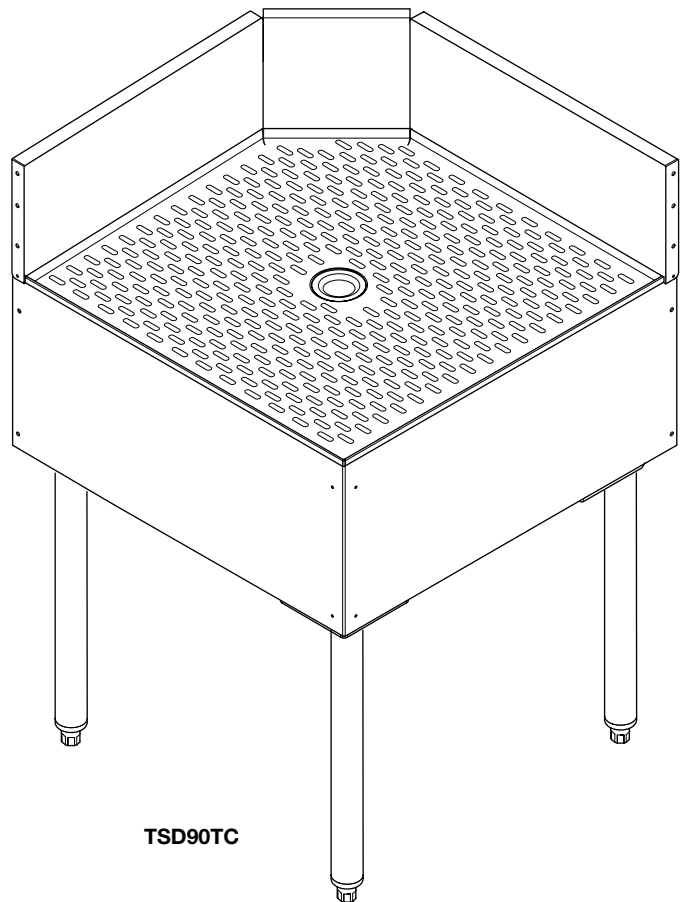
TS Series  
 TS90TC

### MODEL NOS.

TSD Series  
 TSD90TC



TS90TC



TSD90TC

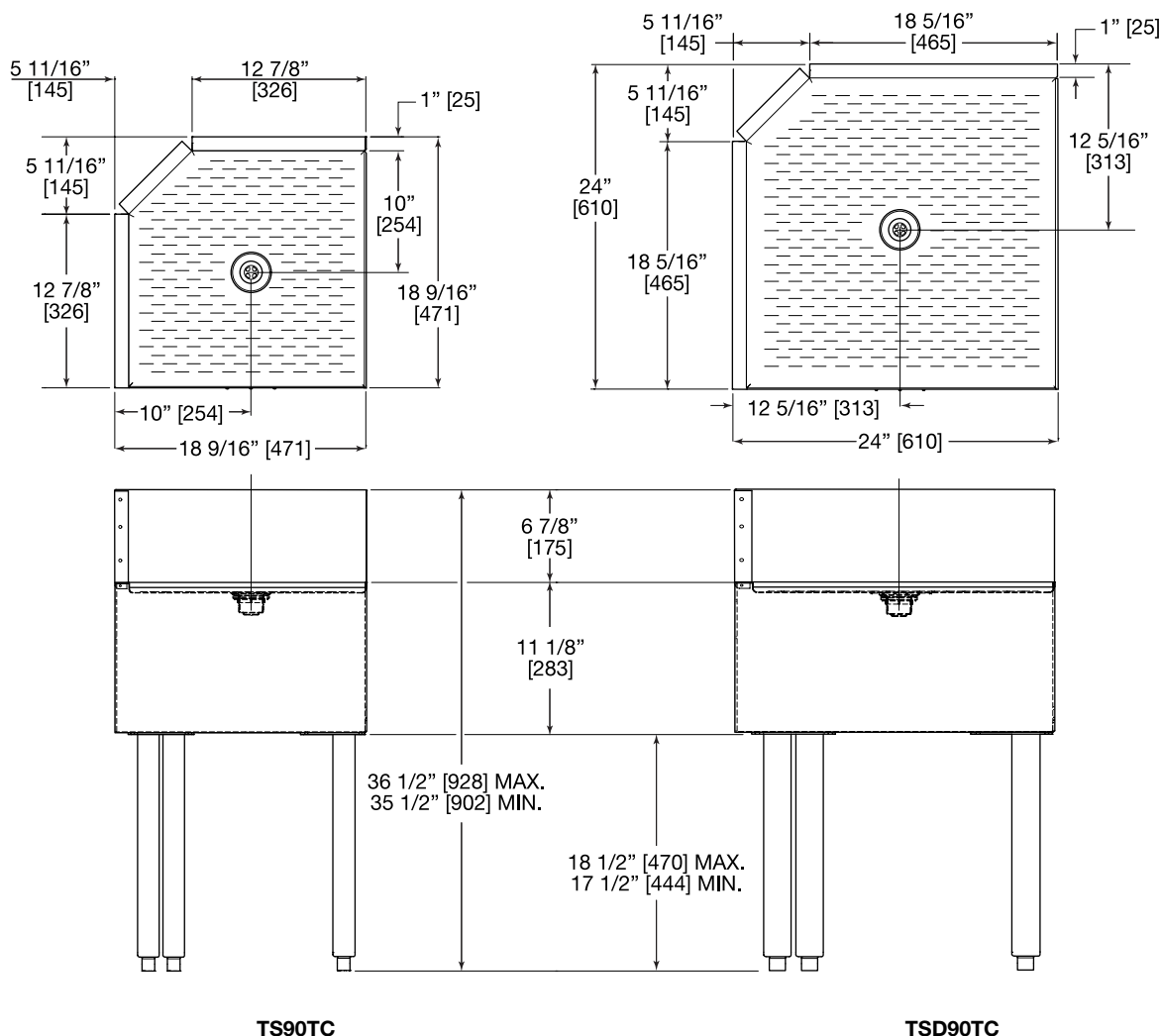


# Sizes and Specifications - Corner Filler Sections

## Inside Corners with Trimmed Drainboard Top

Job \_\_\_\_\_  
 Area \_\_\_\_\_  
 Item No. \_\_\_\_\_

MODEL NOS.	TS90TC	TSD90TC
LENGTH ins. [mm]	18 <sup>9</sup> / <sub>16</sub> " [471]	24" [610]
SHIP WT lbs. [kg]	45 [20]	50 [23]
FRONT & SIDES	Stainless steel	
BACKSPLASH	TS and TSD: 6" high with 1" return at top, mechanically fastened and sealed.	
BACK	Galvanized steel	
DRAINBOARD	Embossed stainless steel. All horizontal and vertical edges 1/4" radius with balled corners. Underside reinforced with welded brackets. Stainless steel drain socket.	
LEGS	1 <sup>5</sup> / <sub>8</sub> " tubular stainless steel with 1" adjustable thermoplastic foot.	
PLUMBING	Drain connection — 1/2" NPS male.	



8300 West Good Hope Road • Milwaukee, WI 53223 • Phone 414-353-7060 • Fax 414-353-7069  
 Toll Free 800-558-5592 • E-Mail: Perlick@Perlick.com • www.Perlick.com

Perlick is committed to continuous improvement.  
 Therefore, we reserve the right to change specifications without prior notice.

Form No. CF06  
 Rev. 09.02.07