

CORNER FILLER SECTIONS OUTSIDE CORNERS WITH DRAINBOARD TOP

Perlick Features

- Embossed stainless steel drainboard.
- Underside reinforced.

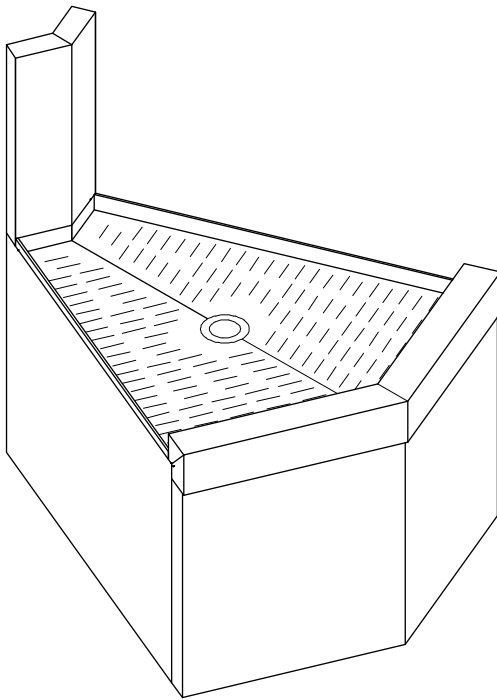
MODEL NOS. MODEL NOS.

TS Series

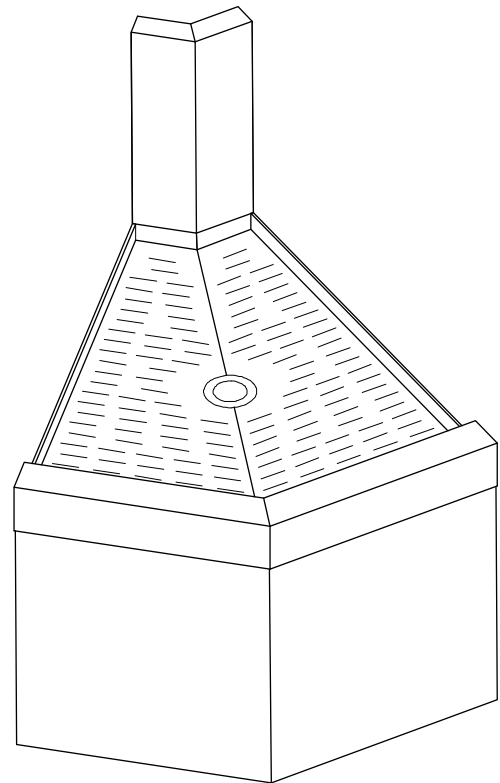
7055-153

TSD Series

7055D153



7055-153



7055D153

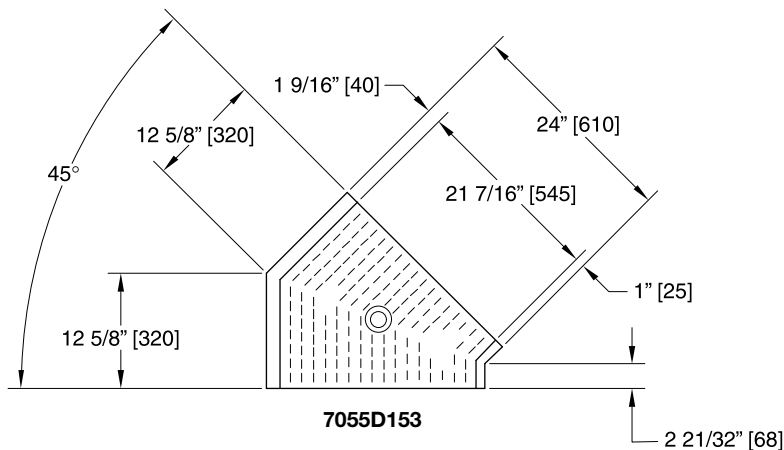
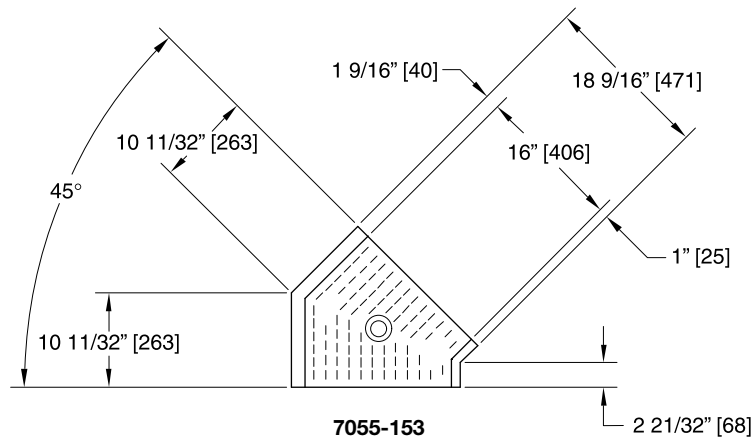


8300 West Good Hope Road • Milwaukee, WI 53223 • Phone 414-353-7060 • Fax 414-353-7069
Toll Free 800-558-5592 • E-Mail: Perlick@Perlick.com • www.Perlick.com

Sizes and Specifications - Corner Filler Sections Outside Corners with Drainboard Top

Job _____
 Area _____
 Item No. _____
 Model No. _____

MODEL NOS.	7055(D)-153
DESCRIPTION	45° Clip
SHIP WT. lbs. (kg)	45 (20)
FRONT & SIDES	Stainless steel.
BACK	Galvanized steel.
BACKSPLASH	General: Stainless steel 6" high (4" high optional) with 1" return at top, mechanically fastened and sealed with steel support brackets.
DRAINBOARD	Embossed stainless steel. All horizontal and vertical edges 1/4" radius with balled corners. Underside sound deadened and reinforced with welded brackets. TS Series: 16" deep front to back. TSD Series: 21 7/16" front to back. Stainless steel drain socket.
LEGS (Optional)	1 5/8" tubular, stainless steel with 1" adjustable thermoplastic foot.
PLUMBING	Drain connection - 1 1/2" NPS Male.



8300 West Good Hope Road • Milwaukee, WI 53223 • Phone 414-353-7060 • Fax 414-353-7069
 Toll Free 800-558-5592 • E-Mail: Perlick@Perlick.com • www.Perlick.com

Perlick is committed to continuous improvement.
 Therefore, we reserve the right to change specifications without prior notice.

Form No. CF04
 Rev. 09.02.07