



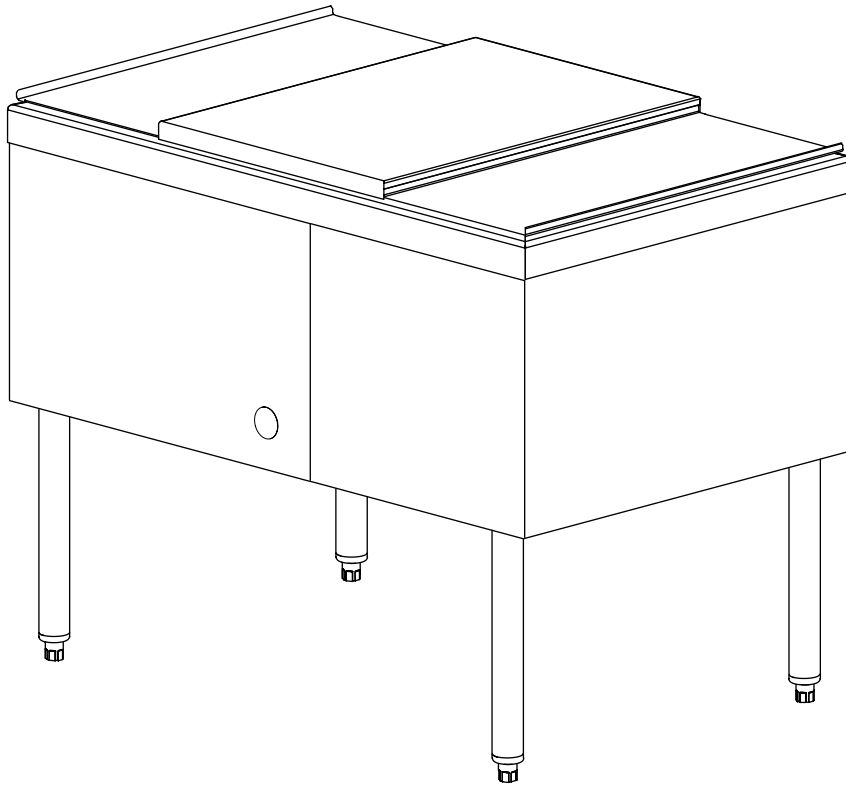
THRU-THE-BAR ICE CHESTS

Perlick Features

- Patented design conceals cold plate under liner for improved sanitation. (705A73 Series)
- Dent resistant ABS top ledge.
- Stainless steel legs install without tools and have “Rust Free” Thermoplastic feet.

MODEL NOS.

- 7055A70
- 7055A73-8
- 7055A73-16



8300 West Good Hope Road • Milwaukee, WI 53223 • Phone 414-353-7060 • Fax 414-353-7069
Toll Free 800-558-5592 • E-Mail: Perlick@Perlick.com • www.Perlick.com

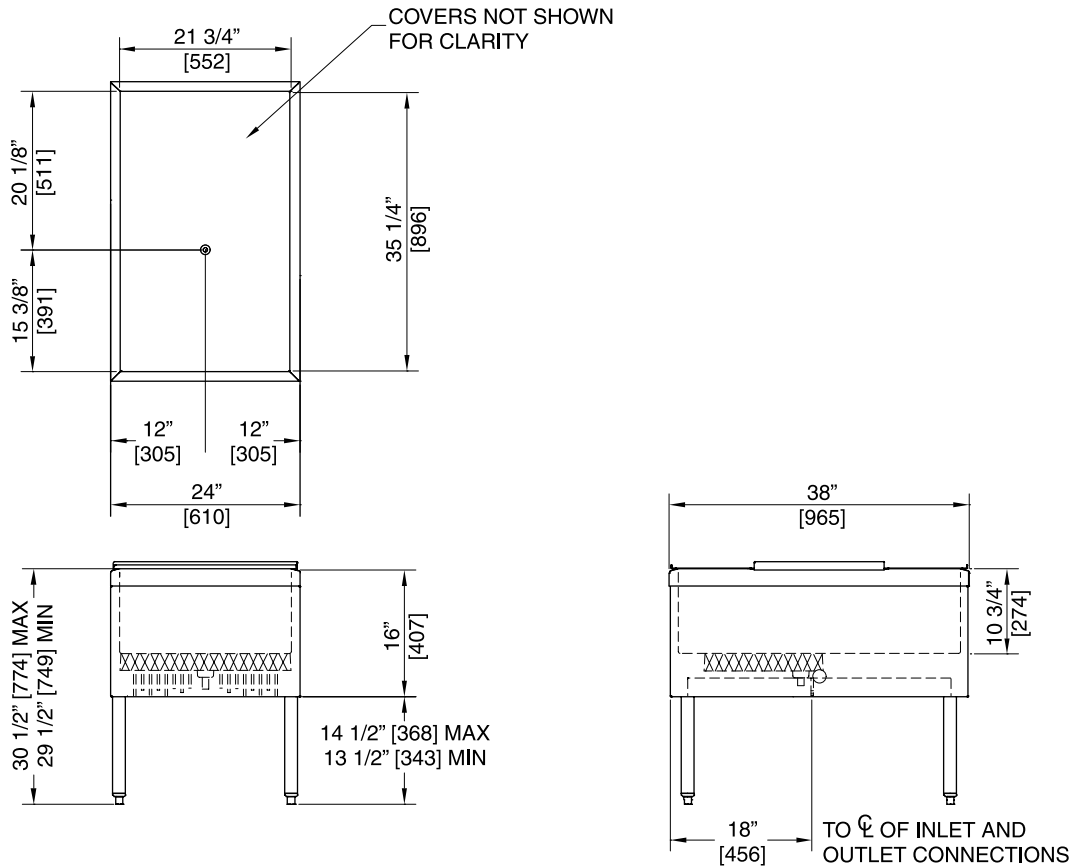
Form No. IC03
Rev. 03.30.05



Sizes and Specifications Thru-The-Bar Ice Chests

Job _____
 Area _____
 Item No. _____
 Model No. _____

| MODEL NOS. | 7055A70 | 7055A73-8 | 7055A73-16 |
|--------------------------|------------------------------------------------------------------------------------------------------------------------------------------------------------------------------------------------------------------------------------------------------------------------------|-----------|------------|
| LENGTH IN. (mm) | 24" (610) | 24" (610) | 24" (610) |
| ICE CAP. lbs. (kg) | 114 (52) | 114 (52) | 114 (52) |
| NO. OF CIRCUITS | 0 | 8 | 16 |
| SHIP WT lbs. (kg) | 100 (45) | 168 (76) | 236 (107) |
| EXTERIOR | Stainless steel, Top rim ABS. | | |
| BOTTOM | Galvanized steel. | | |
| COVERS | Stainless steel, three-piece, removable. | | |
| INTERIOR | Stainless steel with 1/4" radius corners, welded and sealed with non-exposed cold plate. Interiors can be divided with freestanding ice dividers. | | |
| INSULATION | Foamed-in-place polyurethane. | | |
| LEGS | 1 5/8" tubular, stainless steel with 1" adjustable thermoplastic foot. | | |
| PLUMBING | Drain Connection - 1/2" NPS Male. | | |
| COLD PLATE | Cast aluminum plate concealed under ice chest liner. Cold plate has 2 full-length circuits and 6 half-length circuits. Connections — 5/16" O.D. stainless steel tubing with swaged end to accept standard 1/4" I.D. beverage tubing. Note - 7055A73-16 has dual cold plates. | | |
| OPERATING SPECIFICATIONS | Each full circuit will deliver four, 6 oz. drinks per minute at 40° continuously, or 40 oz. every three minutes in a single draw (<i>Flow rate 2 oz./sec., 75° ambient, 75° product</i>). | | |



8300 West Good Hope Road • Milwaukee, WI 53223 • Phone 414-353-7060 • Fax 414-353-7069
 Toll Free 800-558-5592 • E-Mail: Perlick@Perlick.com • www.Perlick.com

Perlick is committed to continuous improvement.
 Therefore, we reserve the right to change specifications without prior notice.

Form No. IC03
 Rev. 03.30.05