



EXTRA DEEP ICE CHESTS

Perlick Features

- Patented design conceals cold plate under liner for improved sanitation. (7055A64 Series)
- Dent resistant ABS top ledge.
- Stainless steel legs install without tools and have “Rust Free” Thermoplastic feet.

MODEL NOS.

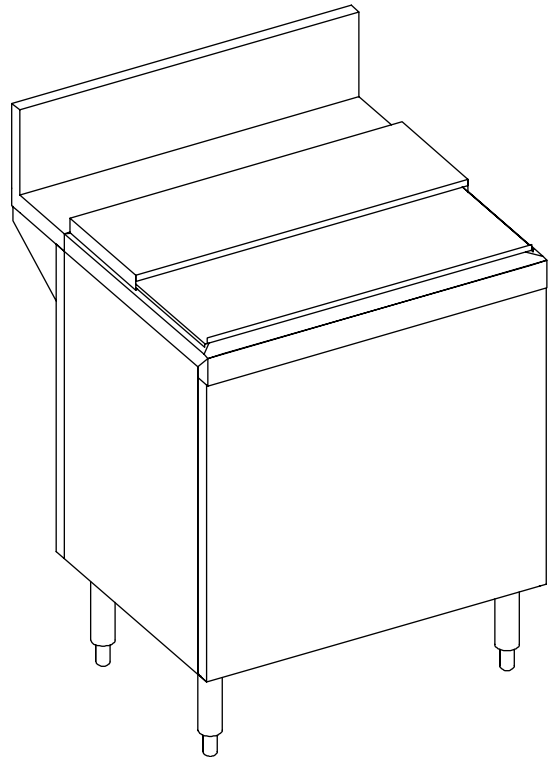
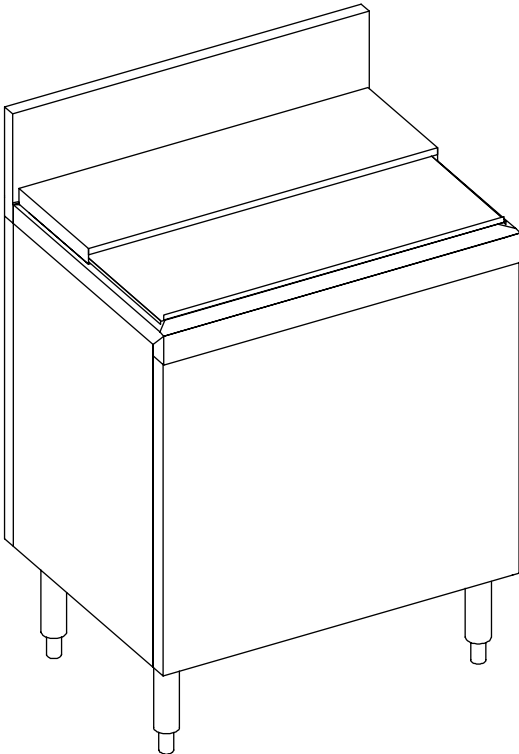
TS Series

- 7055A62
- 7055A64-8

MODEL NOS.

TSD Series

- 7055AD62
- 7055AD64-8



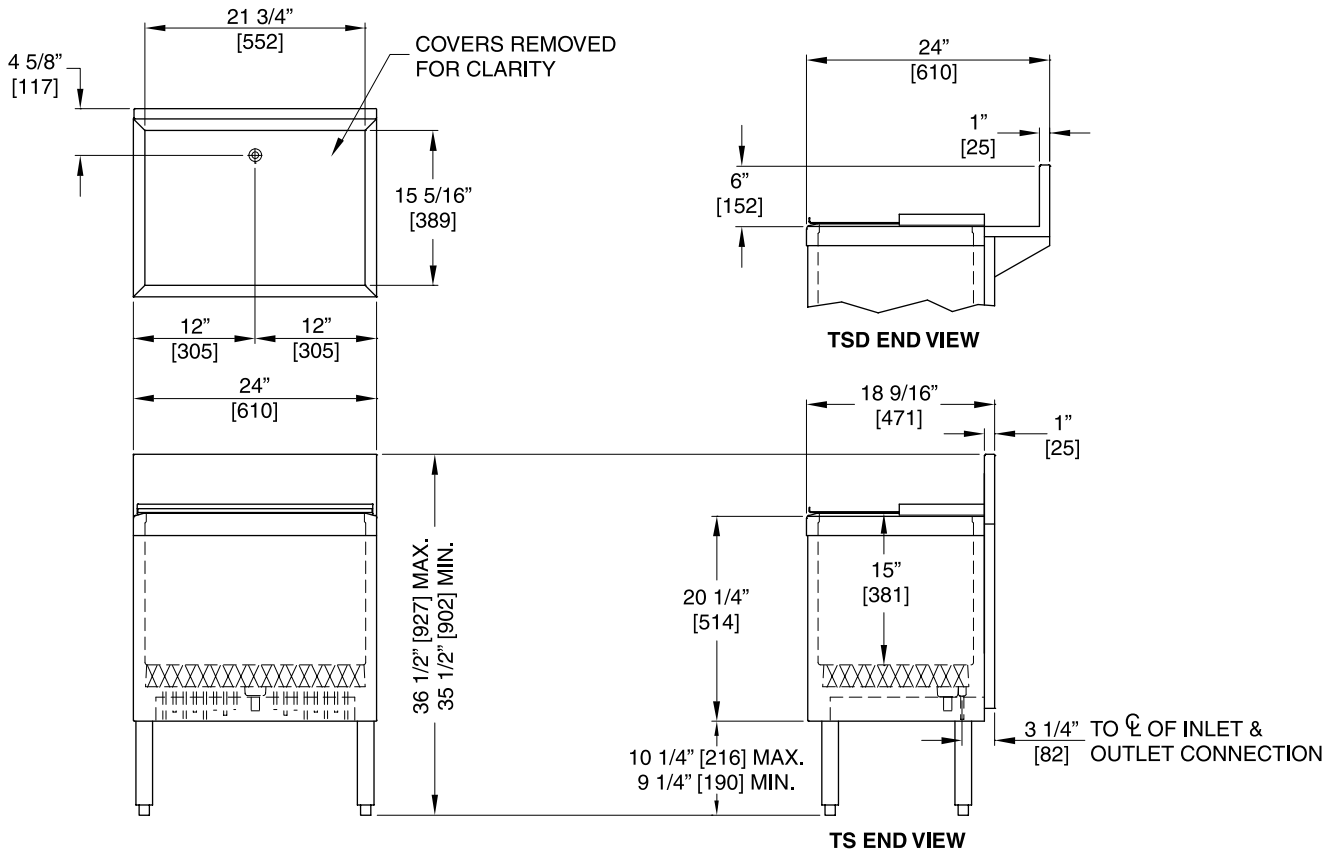
8300 West Good Hope Road • Milwaukee, WI 53223 • Phone 414-353-7060 • Fax 414-353-7069
Toll Free 800-558-5592 • E-Mail: Perlick@Perlick.com • www.Perlick.com



Sizes and Specifications Extra Deep Ice Chests

Job _____
 Area _____
 Item No. _____
 Model No. _____

MODEL NOS.	7055A(D)62	7055A(D)64-8
OUTSIDE LENGTH IN. (mm)	24" (610)	24" (610)
ICE CAP. lbs. (kg)	75 (34.0)	75 (34.0)
NO. OF CIRCUITS	0	8
SHIP WT lbs. (kg)	100 (45)	168 (76)
FRONT & SIDES	Stainless steel. Top rim ABS..	
BACKSPLASH	General and TS Series: Stainless steel 6" high (4" high optional) with 1" return at top, mechanically fastened and sealed to ice chest top with steel support brackets. TDS Series: Backsplash and rear deck stainless steel.	
BACK & BOTTOM	Galvanized steel.	
COVERS	Stainless steel, two-piece, removable.	
INTERIOR	Stainless steel with 1/4" radius corners, welded and sealed with non-exposed cold plate. Interiors can be divided with freestanding ice dividers.	
INSULATION	Foamed-in- place polyurethane.	
LEGS	1 5/8" tubular, stainless steel with 1" adjustable thermoplastic foot.	
PLUMBING	Drain Connection - 1/2" NPS Male.	
COLD PLATE	Cast aluminum plate concealed under ice chest liner. Cold plate has 2 full-length circuits and 6 half-length circuits. Connections — 5/16" O.D. stainless steel tubing with swaged end to accept standard 1/4" I.D. beverage tubing.	
OPERATING SPECIFICATIONS	Each full circuit will deliver four, 6 oz. drinks per minute at 40° continuously, or 40 oz. every three minutes in a single draw (Flow rate 2 oz./sec., 75° ambient, 75° product).	



8300 West Good Hope Road • Milwaukee, WI 53223 • Phone 414-353-7060 • Fax 414-353-7069
 Toll Free 800-558-5592 • E-Mail: Perlick@Perlick.com • www.Perlick.com

Perlick is committed to continuous improvement.
 Therefore, we reserve the right to change specifications without prior notice.

Form No. IC05
 Rev. 03.30.05