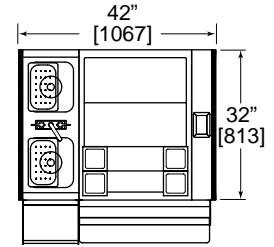


PASS-THRU STATION – 42" X 32"

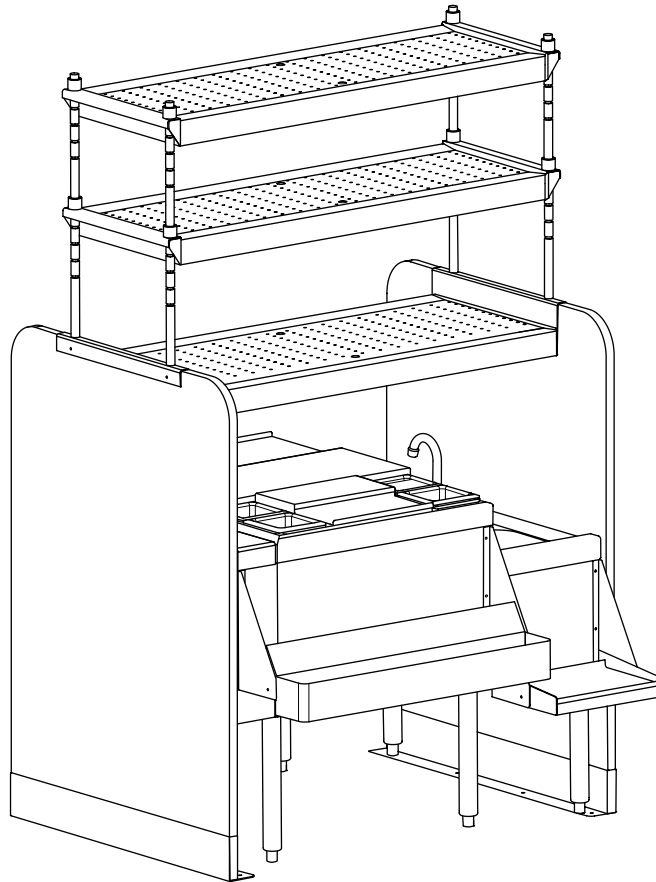
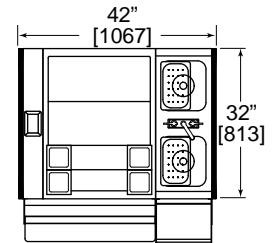
Perlick Features

- Dual rinse sinks with commercial grade water faucet easily accommodates wet waste.
- Pass-Thru ice bin with 8 circuit cold plate.
- Filler section with access cutout and chase provides opening for beverage lines.
- Stainless steel end panels with floor mounting brackets.
- One fixed and two adjustable over shelves provide abundant and flexible glass storage.
- Stainless steel legs install without tools and have "rust free" thermoplastic feet.

PTS42L



PTS42R



PTS42R



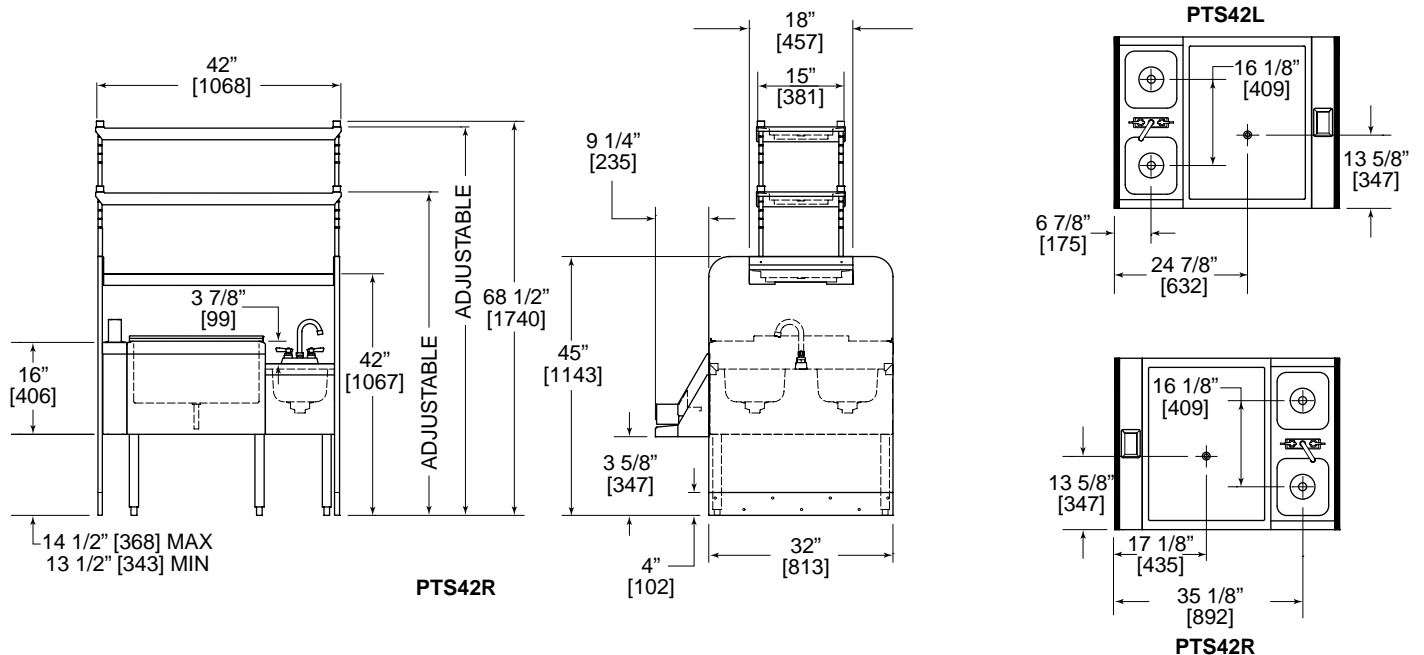
8300 West Good Hope Road • Milwaukee, WI 53223 • Phone 414-353-7060 • Fax 414-353-7069
Toll Free 800-558-5592 • E-Mail: Perlick@Perlick.com • www.Perlick.com

Sizes and Specifications

Pass-Thru Station – 42" x 32"

Job _____
 Area _____
 Item No. _____
 Model No. _____

MODEL NOS.	PTS42L	PTS42R
LENGTH INS. (mm)	42" (1067)	42" (1067)
SHIP WT lbs. (kg)	475 (215)	475 (215)
GENERAL	All exterior parts made from stainless steel. Bottom pans, where applicable made from galvanized steel.	
LEGS	1 ⁵ / ₈ " tubular, stainless steel with 1" adjustable thermoplastic foot.	
FILLER SECTION	Model No. PT4CO: Dimensions - 4¹/₄" x 32". Chase - 2³/₄" x 6" x 4"	
ICE CHEST	Model No. PT24IC8: Dimensions - 24" x 32": Ice Capacity - 95 lbs., Drain Connection - 1/2" NPS. Bottle Wells - 4 Bottle Wells with 4 piece cover. Cold Plate - 8 circuit cast aluminum plate concealed under ice chest liner. 5/16" O.D. stainless steel tubing with swaged end to accept standard 1/4" I.D. beverage tubing.	
SINK	Model No. PT12S2: Dimensions - 12" x 32": Bowl Size - 10⁵/₈" x 9⁵/₈" x 6" deep. Undercoated to absorb sound. Drain Connection - 1¹/₂" NPS Male. Faucet - Deck mounted, NSF listed, commercial grade hot/cold, chrome plated, goose neck spout. Supply Connection - 1/2" IPS shanks and nuts. Wet Waste Box - 2 perforated plastic 1/4 size pans.	
OVERSHELVES	Fixed Shelf Dimensions - 40¹/₄" x 18": Glass Racks - (2) Removable. Drain Connection - 3/8" tailpiece for flexible hose. Adjustable Shelf Dimensions: 40¹/₄" x 15". Includes (2) shelves. (4) removable glass racks and stainless steel posts. Self draining - 3/8" tailpiece.	
END PANELS	Dimensions - 32" x 7/8" x 45" high: Finish: Stainless steel. Includes stainless steel floor mounting brackets.	
INCLUDED ACCESSORIES	28" Bottle Rail, hang-on bottle rail (spanning Ice Chest and Filler Section). 12" Blender Shelf mounted to Dual Sink.	
INCLUDED ACCESSORIES	Ice Chest Condiment Cup Rack, Towel Ring, and Sink Drain Assembly.	



8300 West Good Hope Road • Milwaukee, WI 53223 • Phone 414-353-7060 • Fax 414-353-7069
 Toll Free 800-558-5592 • E-Mail: Perlick@Perlick.com • www.Perlick.com

Perlick is committed to continuous improvement.
 Therefore, we reserve the right to change specifications without prior notice.

Form No. PTS42
 Rev. 03.30.05