



FOUR TANK SINKS – STAINLESS STEEL BOWLS

Perlick Features

- Deep drawn stainless steel bowls.
- NSF listed, commercial grade hot/cold water faucet.
- Embossed stainless steel drainboard.
- Underside is sound-deadened.
- Stainless steel legs install without tools and have “Rust Free” Thermoplastic feet.

MODEL NOS.

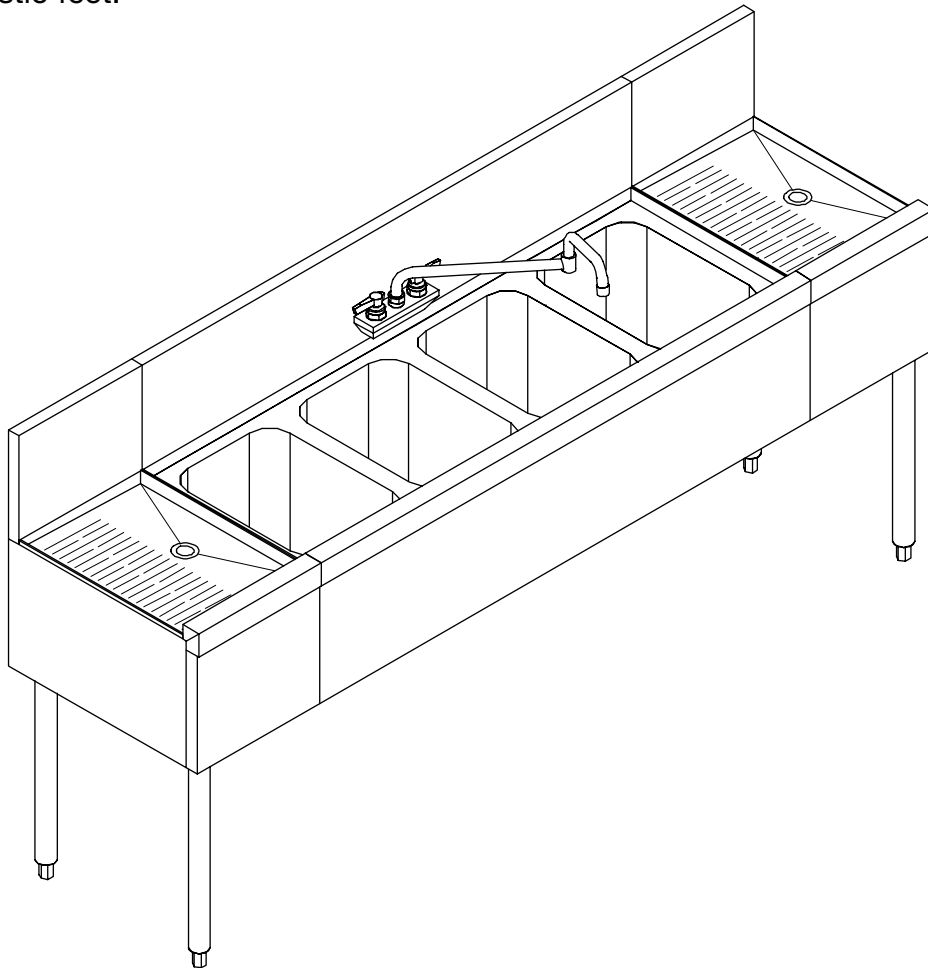
TS Series

- TS44C
- TS64C
- TS74C
- TS84C
- TS94C

MODEL NOS.

TSD Series

- TSD44C
- TSD64C
- TSD74C
- TSD84C
- TSD94C



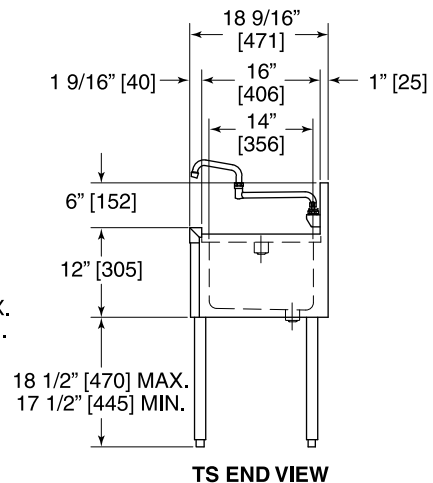
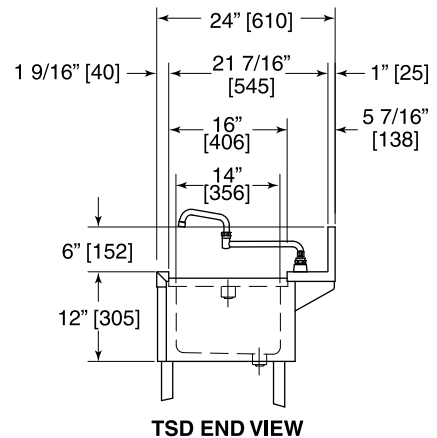
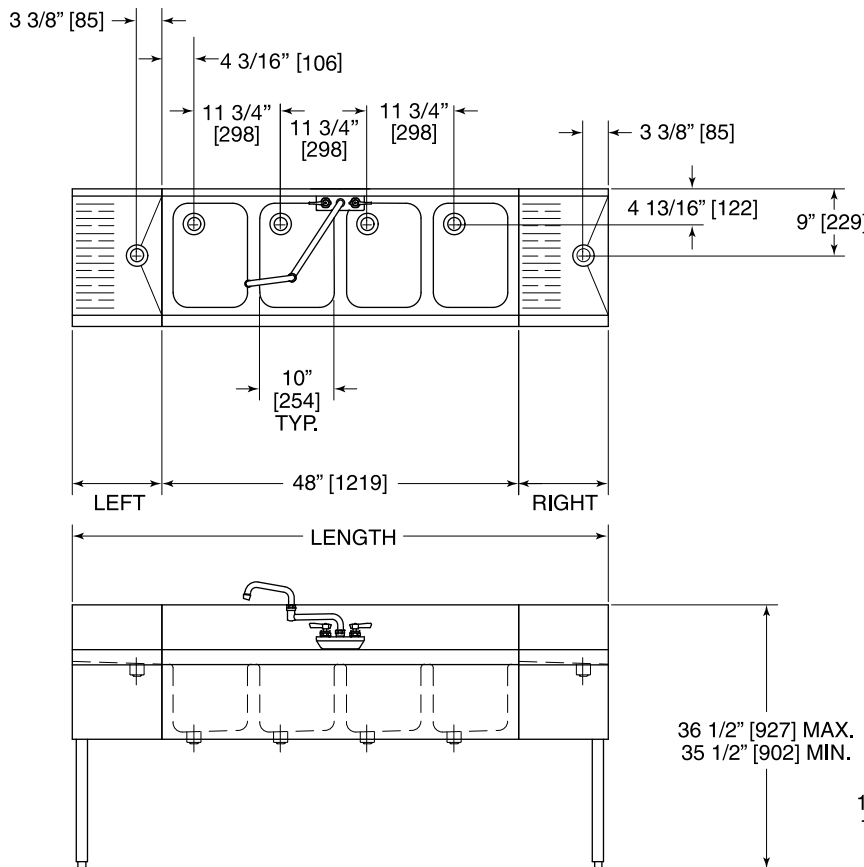
8300 West Good Hope Road • Milwaukee, WI 53223 • Phone 414-353-7060 • Fax 414-353-7069
Toll Free 800-558-5592 • E-Mail: Perlick@Perlick.com • www.Perlick.com



Sizes and Specifications Four Tank Sinks - Stainless Steel

Job _____
 Area _____
 Item No. _____
 Model No. _____

| MODEL NOS. | TS(D)44C | TS(D)64C | TS(D)74C | TS(D)84C | TS(D)94C |
|-----------------------------|---|------------------------|------------------------|------------------------|------------------------|
| LENGTH FT. (mm) | 4' (1219) | 6' (1829) | 7' (2134) | 8' (2438) | 9' (2743) |
| SHIP WT lbs. (kg) | 125 (57) | 150 (68) | 165 (75) | 200 (91) | 220 (100) |
| DRAINBOARD LOCATION | N/A | Left/Right | Left/Right | Left/Right | Left/Right |
| DRAINBOARD LENGTH INS. (mm) | N/A | 12" (305) each side | 18" (458) each side | 24" (610) each side | 30" (762) each side |
| FRONT & SIDES | Stainless steel. | | | | |
| BACK & BOTTOM | Galvanized steel. | | | | |
| BACKSPLASH | Stainless steel 6" high (4" high optional) with 1" return at top, mechanically fastened and sealed with steel support brackets. TSD Series: Stainless steel rear deck. | | | | |
| LEGS | 1 5/8" tubular, stainless steel with 1" adjustable thermoplastic foot. | | | | |
| DRAINBOARD | Embossed stainless steel, 16" deep front to back with 1 1/2" stainless steel drain socket. All horizontal and vertical edges 1/4" radius with balled corners. Underside sound deadened and reinforced with welded brackets. | | | | |
| BOWLS | Stainless steel with undercoating to absorb sound. 10" x 14" x 9 1/4" deep. All horizontal and vertical edges 1 1/2" radius with balled corners. Furnished with 1 1/2" stainless steel drain socket. 8 1/2" standpipe. | | | | |
| WATER FAUCET | Chrome plated, hot and cold, 18" double-jointed swing spout faucet. Heavy-duty all brass construction. | | | | |
| PLUMBING | Drain-connection - 1 1/2" NPS Male. Hot and cold water connection: TS Series: 3/8" copper supply tubes. TSD Series: 1/2" IPS shanks and nuts. | | | | |



8300 West Good Hope Road • Milwaukee, WI 53223 • Phone 414-353-7060 • Fax 414-353-7069
 Toll Free 800-558-5592 • E-Mail: Perlick@Perlick.com • www.Perlick.com

Perlick is committed to continuous improvement.
 Therefore, we reserve the right to change specifications without prior notice.

Form No. SK05
 Rev. 11.28.07