

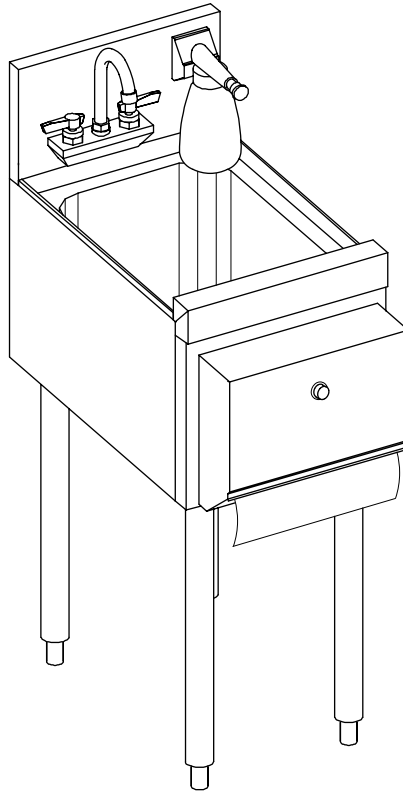
HAND SINK WITH TOWEL DISPENSER

Perlick Features

- Deep drawn stainless steel bowl.
- NSF listed, Commercial grade hot/cold water faucet.
- 16 oz. pump soap dispenser.
- Dispenser for folded paper towels.
- Underside is sound-deadened.
- Stainless steel legs install without tools and have "Rust Free" Thermoplastic feet.

MODEL NOS.

TS Series
 TS12HSN



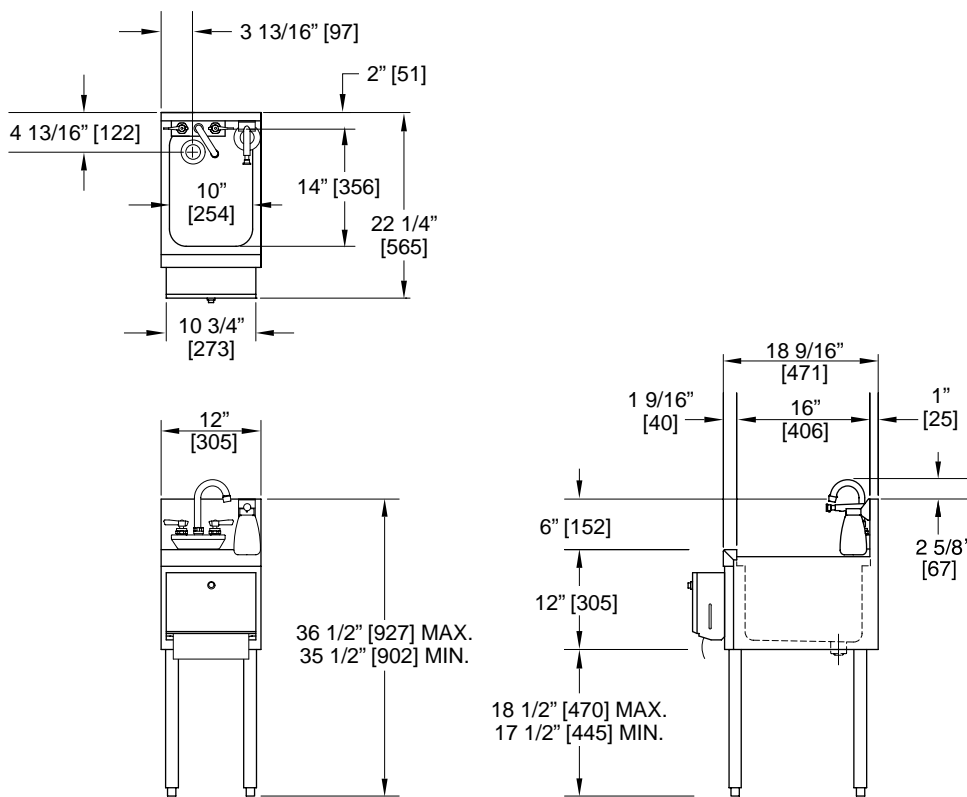
8300 West Good Hope Road • Milwaukee, WI 53223 • Phone 414-353-7060 • Fax 414-353-7069
Toll Free 800-558-5592 • E-Mail: Perlick@Perlick.com • www.Perlick.com

Form No. SK07
Rev. 03.30.05

Sizes and Specifications Hand Sink with Towel Dispenser

Job _____
 Area _____
 Item No. _____
 Model No. _____

MODEL NOS.	TS12HSN
LENGTH INS. (mm)	12" (305)
SHIP WT lbs. (kg)	50 (23)
FRONT & SIDES	Stainless steel.
BACK & BOTTOM	Galvanized steel.
BACKSPLASH	General: Stainless steel 6" high (<i>4" high optional</i>) with 1" return at top, mechanically fastened and sealed with steel support brackets.
LEGS	1 ⁵ / ₈ " tubular, stainless steel with 1" adjustable thermoplastic foot.
BOWL	10" x 14" x 9 ¹ / ₄ " deep. Undercoated to absorb sound. All horizontal and vertical edges 1 ¹ / ₂ " radius with ballbed corners. Furnished with 1 ¹ / ₂ " stainless steel drain socket. 8 ¹ / ₂ " standpipe.
WATER FAUCET	Chrome plated, hot and cold, goose neck spout faucet. Heavy-duty all brass construction. (NSF listed component)
PLUMBING	Drain-connection - 1 ¹ / ₂ " NPS Male. Hot and cold water connection: TS Series: 3/8" copper supply tubes.



TS END VIEW



8300 West Good Hope Road • Milwaukee, WI 53223 • Phone 414-353-7060 • Fax 414-353-7069
 Toll Free 800-558-5592 • E-Mail: Perlick@Perlick.com • www.Perlick.com

Perlick is committed to continuous improvement.
 Therefore, we reserve the right to change specifications without prior notice.

Form No. SK07
 Rev. 03.30.05