



# ONE TANK SINKS – STAINLESS STEEL BOWL

## Perlick Features

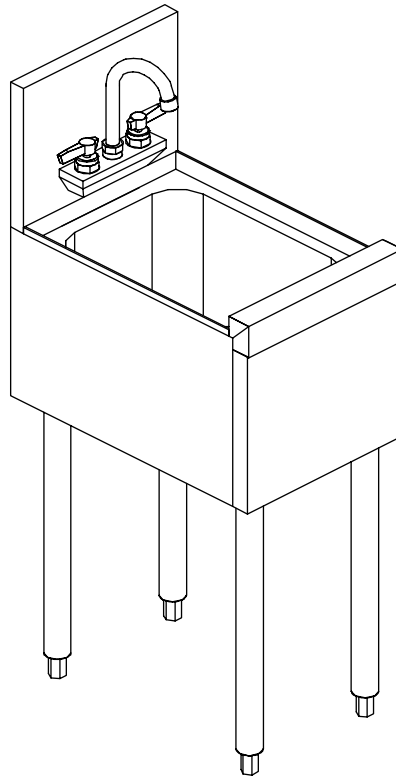
- Deep drawn stainless steel bowl.
- NSF listed, quality commercial grade hot/cold water faucet.
- Underside is sound-deadened.
- Stainless steel legs install without tools and have “Rust Free” Thermoplastic feet.

## MODEL NOS.

TS Series  
 TS12HS

## MODEL NOS.

TSD Series  
 TSD12HS



8300 West Good Hope Road • Milwaukee, WI 53223 • Phone 414-353-7060 • Fax 414-353-7069  
Toll Free 800-558-5592 • E-Mail: [Perlick@Perlick.com](mailto:Perlick@Perlick.com) • [www.Perlick.com](http://www.Perlick.com)

Form No. SK02  
Rev. 03.30.05

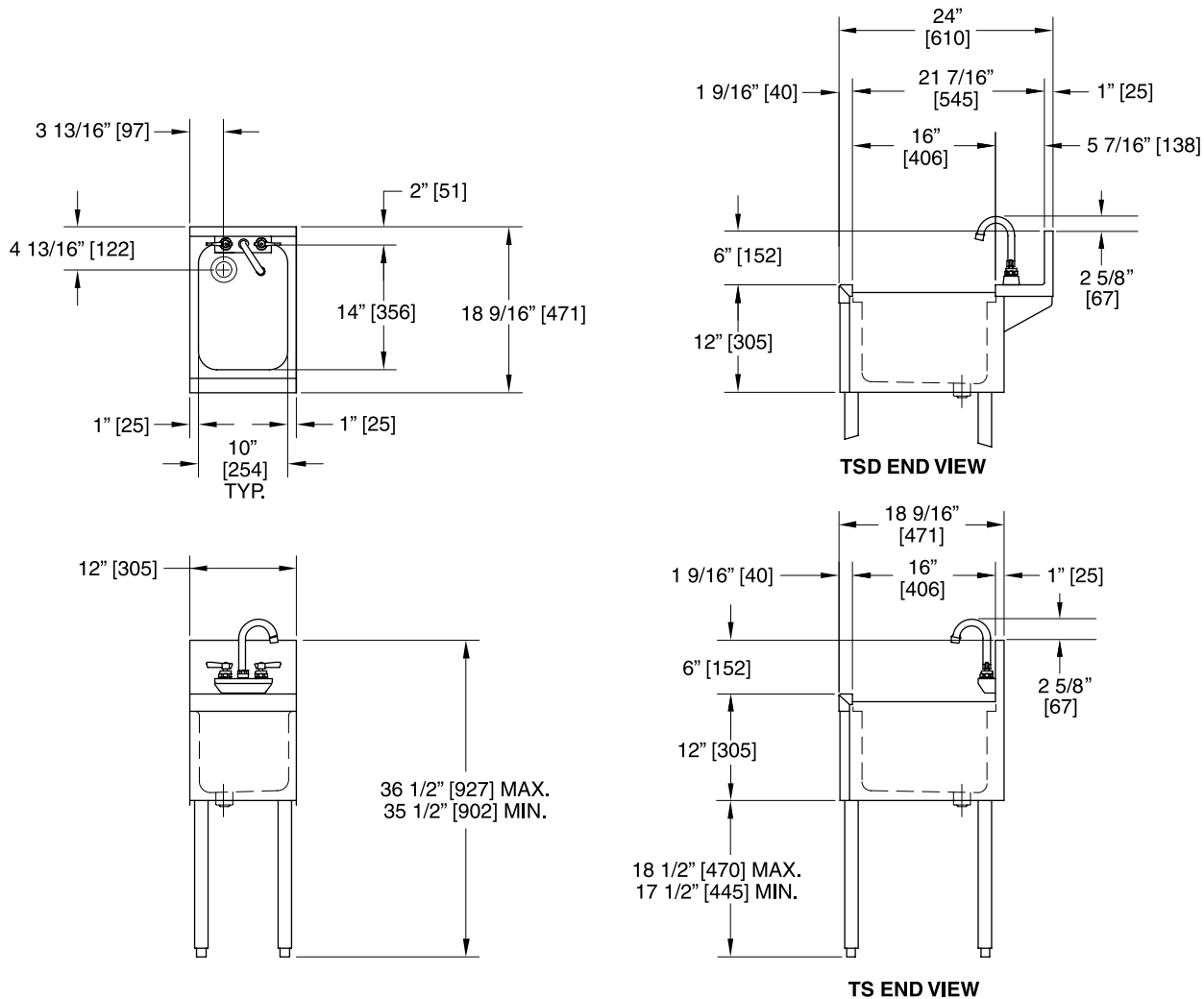


# Sizes and Specifications

## One Tank Sinks—Stainless Steel Bowl

Job \_\_\_\_\_  
 Area \_\_\_\_\_  
 Item No. \_\_\_\_\_  
 Model No. \_\_\_\_\_

MODEL NOS.	TS(D)12HS
LENGTH INS. (mm)	12" (305)
SHIP WT lbs. (kg)	45 (20)
FRONT & SIDES	Stainless steel.
BACK & BOTTOM	Galvanized steel.
BACKSPLASH	<b>General and TS Series:</b> Stainless steel 6" high (4" high optional) with 1" return at top, mechanically fastened and sealed with steel support brackets. <b>TSD Series:</b> Stainless steel rear deck.
LEGS	1 <sup>5</sup> / <sub>8</sub> " tubular, stainless steel with 1" adjustable thermoplastic foot.
BOWL	Stainless steel with undercoating to absorb sound. 10" x 14" x 9 <sup>1</sup> / <sub>4</sub> " deep. All horizontal and vertical edges 1 <sup>1</sup> / <sub>2</sub> " radius with balled corners. Furnished with 1 <sup>1</sup> / <sub>2</sub> " stainless steel drain socket. 8 <sup>1</sup> / <sub>2</sub> " standpipe.
WATER FAUCET	Chrome plated, hot and cold, goose neck spout faucet. Heavy-duty all brass construction.
PLUMBING	Drain-connection - 1 <sup>1</sup> / <sub>2</sub> " NPS Male. Hot and cold water connection: <b>TS Series:</b> 3 <sup>8</sup> / <sub>8</sub> " copper supply tubes. <b>TSD Series:</b> 1 <sup>2</sup> / <sub>2</sub> " IPS shanks and nuts.



8300 West Good Hope Road • Milwaukee, WI 53223 • Phone 414-353-7060 • Fax 414-353-7069  
 Toll Free 800-558-5592 • E-Mail: Perlick@Perlick.com • www.Perlick.com

Perlick is committed to continuous improvement.  
 Therefore, we reserve the right to change specifications without prior notice.

Form No. SK02  
 Rev. 03.30.05