



TWO TANK SINKS – STAINLESS STEEL BOWLS

Perlick Features

- Deep drawn stainless steel bowls.
- NSF listed, commercial grade hot/cold water faucet.
- Underside is sound-deadened.
- Stainless steel legs install without tools and have “Rust Free” Thermoplastic feet.

MODEL NOS.

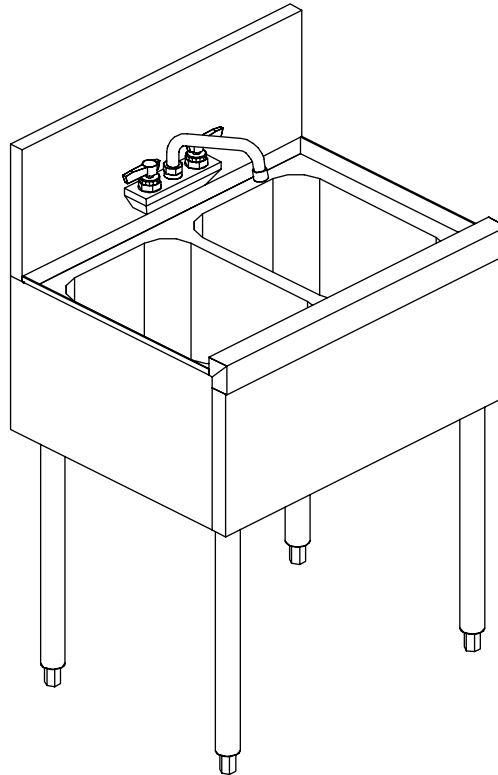
TS Series

TS22C

MODEL NOS.

TSD Series

TSD22C



8300 West Good Hope Road • Milwaukee, WI 53223 • Phone 414-353-7060 • Fax 414-353-7069
Toll Free 800-558-5592 • E-Mail: Perlick@Perlick.com • www.Perlick.com

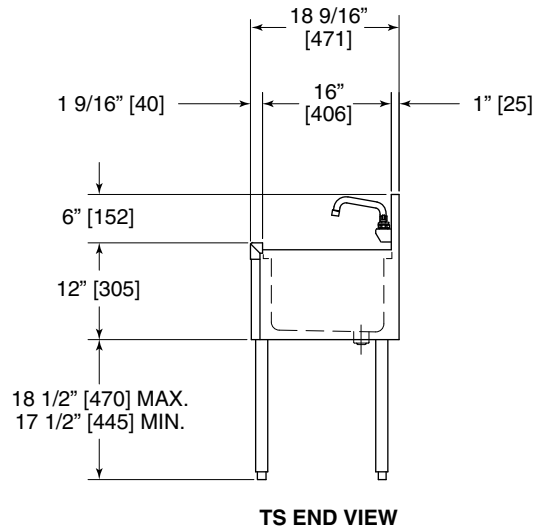
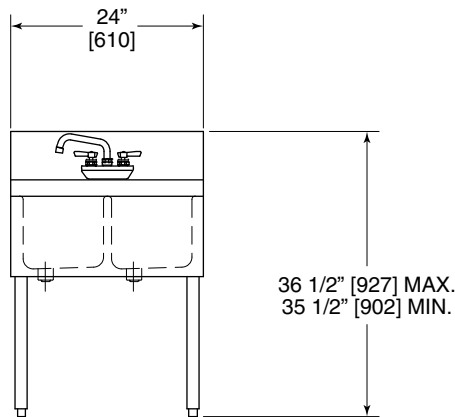
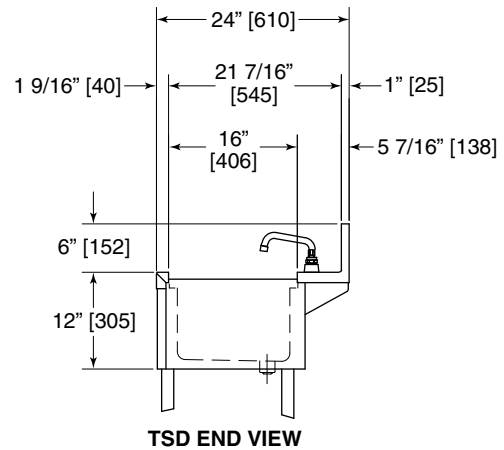
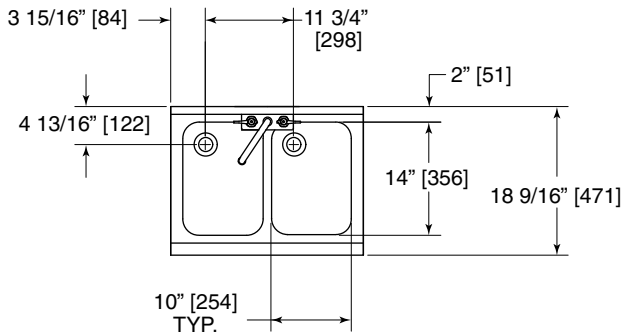


Sizes and Specifications

Two Tank Sinks - Stainless Steel Bowls

Job _____
 Area _____
 Item No. _____
 Model No. _____

MODEL NOS.	TS(D)22C
LENGTH INS. (mm)	24" (610)
SHIP WT lbs. (kg)	65 (30)
FRONT & SIDES	Stainless steel.
BACK & BOTTOM	Galvanized steel.
Backsplash	General and TS Series: Stainless steel 6" high (4" high optional) with 1" return at top, mechanically fastened and sealed with steel support brackets. TSD Series: Stainless steel rear deck.
LEGS	1 ⁵ / ₈ " tubular, stainless steel with 1" adjustable thermoplastic foot.
BOWLS	Stainless steel with undercoating to absorb sound. 10" x 14" x 9 ¹ / ₄ " deep. All horizontal and vertical edges 1 ¹ / ₂ " radius with balled corners. Furnished with 1 ¹ / ₂ " stainless steel drain socket. 8 ¹ / ₂ " standpipe.
WATER FAUCET	Chrome plated, hot and cold, 6" swing spout faucet. Heavy-duty all brass construction.
PLUMBING	Drain-connection - 1 ¹ / ₂ " NPS Male. Hot and cold water connection: TS Series: 3/8" copper supply tubes. TSD Series: 1/2" IPS shanks and nuts.



8300 West Good Hope Road • Milwaukee, WI 53223 • Phone 414-353-7060 • Fax 414-353-7069
 Toll Free 800-558-5592 • E-Mail: Perlick@Perlick.com • www.Perlick.com

Perlick is committed to continuous improvement.
 Therefore, we reserve the right to change specifications without prior notice.

Form No. SK03
 Rev. 11.28.07