

# WALL MOUNTED SINK

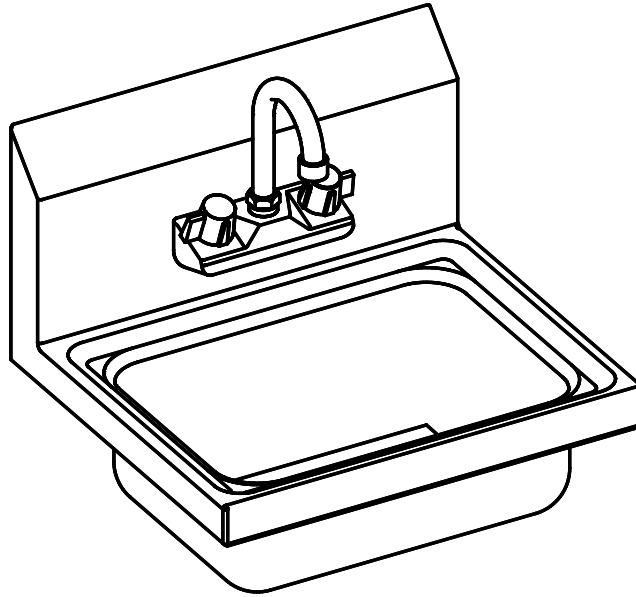
---

## Perlick Features

- Deep drawn stainless steel bowl.
- Quality chrome plated hot/cold water faucet.
- Countertop edge with 3/8" No Drip Offset.
- Wall mounting bracket included.

## MODEL NOS.

HS17WM



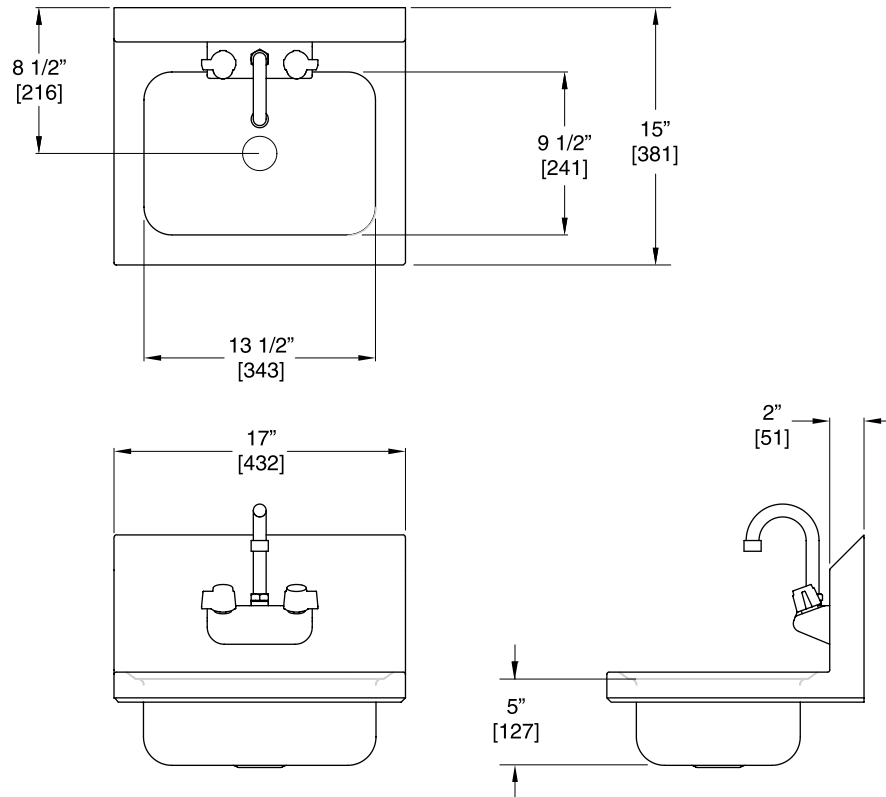
8300 West Good Hope Road • Milwaukee, WI 53223 • Phone 414-353-7060 • Fax 414-353-7069  
Toll Free 800-558-5592 • E-Mail: [Perlick@Perlick.com](mailto:Perlick@Perlick.com) • [www.Perlick.com](http://www.Perlick.com)

Form No. SK06  
Rev. 03.30.05

# Sizes and Specifications Wall Mounted Sink

Job \_\_\_\_\_  
 Area \_\_\_\_\_  
 Item No. \_\_\_\_\_  
 Model No. \_\_\_\_\_

<b>MODEL NOS.</b>	<b>HS17WM</b>
LENGTH INS. (MM)	17" (432)
SHIP WEIGHT LBS. (Kg.)	11 (5)
GENERAL	One piece deep drawn stainless steel bowl. No welded seams other than corners. Includes 16" stainless steel wall mounting bracket.
BACKSPLASH	Stainless Steel. 8" high with 2" angled return at top.
BOWL	13 1/2" x 9 1/2" x 5" deep. All horizontal and vertical edges 2" radius with balled corners. Furnished with stainless steel drain socket and basket.
WATER FAUCET	Chrome plated, hot and cold, furnished with 3 1/2" gooseneck spout (NSF listed component).
PLUMBING	Supply is 1/2" IPS hot and cold. Drain is 1 1/2" IPS.



8300 West Good Hope Road • Milwaukee, WI 53223 • Phone 414-353-7060 • Fax 414-353-7069  
 Toll Free 800-558-5592 • E-Mail: [Perlick@Perlick.com](mailto:Perlick@Perlick.com) • [www.Perlick.com](http://www.Perlick.com)

Perlick is committed to continuous improvement.  
 Therefore, we reserve the right to change specifications without prior notice.

Form No. SK06  
 Rev. 03.30.05