

STORAGE CABINET WITH RINSE TANK AND WASTE CHUTE

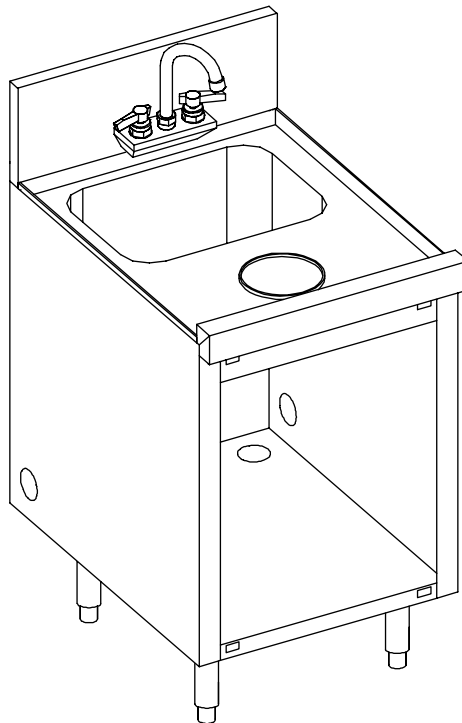


Perlick Features

- Conveniently located waste chute
- Deep drawn stainless steel bowl.
- NSF listed, commercial grade hot/cold water faucet.
- Optional Door.

MODEL NOS.

SC18W



8300 West Good Hope Road • Milwaukee, WI 53223 • Phone 414-353-7060 • Fax 414-353-7069
Toll Free 800-558-5592 • E-Mail: Perlick@Perlick.com • www.Perlick.com

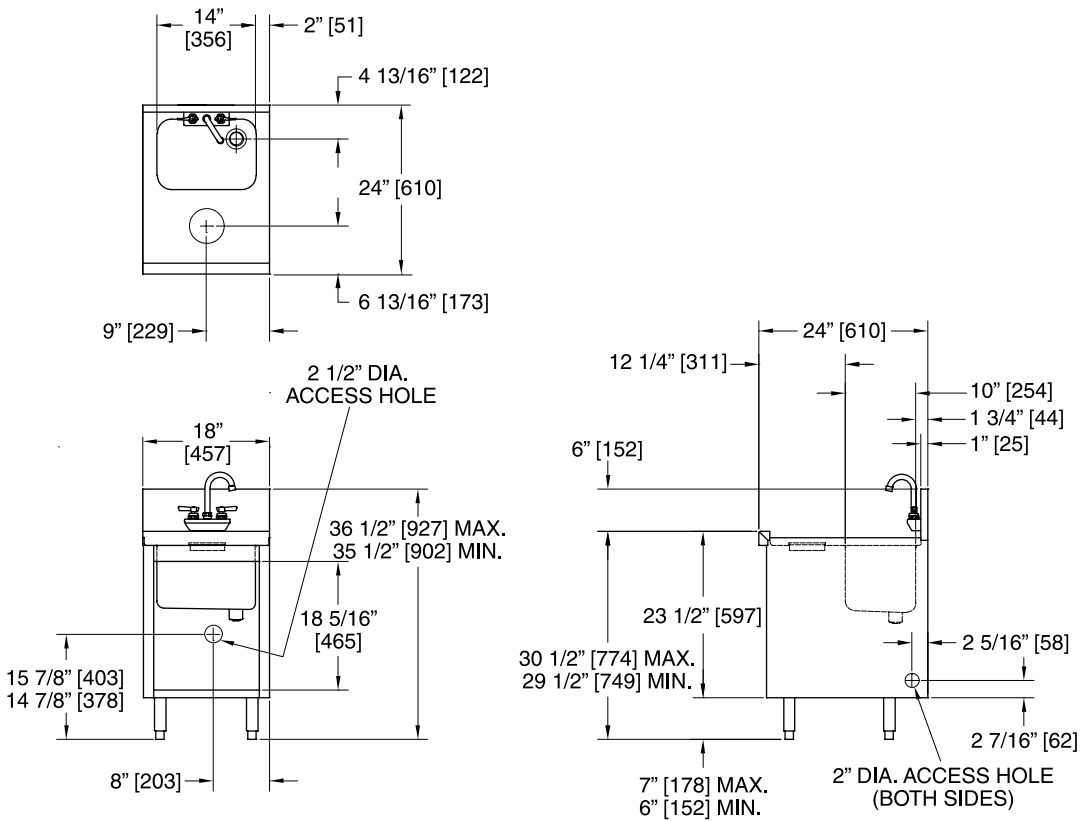
Form No. SB04
Rev. 03.30.05



Sizes and Specifications Storage Cabinet with Rinse Tank and Waste Chute

Job _____
 Area _____
 Item No. _____
 Model No. _____

MODEL NOS.	SC18W
LENGTH INS. (mm)	18" (457)
SHIP WT lbs. (kg)	50 (23)
GENERAL PARTS	Stainless steel.
BACKSPLASH	Stainless steel 6" high (4" high optional) with 1" return at top, mechanically fastened and sealed with steel support brackets.
LEGS	1 5/8" tubular, stainless steel with 1" adjustable stainless steel foot.
BOWL	10" (25 cm) x 14" (36 cm.) x 9 1/2" (24 cm.) deep. Undercoated to absorb sound. All horizontal and vertical edges 1 1/2" radius with balled corners. Furnished with 1 1/2" stainless steel drain socket and 8 1/2" standpipe.
WASTE CHUTE	5" diameter with 5/8" raised rim (optional interior waste container, No. 7055-102).
WATER FAUCET	Chrome plated, hot and cold, goose neck spout, wall mounted faucet. Heavy-duty all brass construction.
PLUMBING	Drain connection - 1 1/2" NPS Male. Hot and cold water connection: 3/8" copper supply tubes.
DOOR - OPTIONAL	Stainless steel outer and inner door panels. Dual magnetic catch.



8300 West Good Hope Road • Milwaukee, WI 53223 • Phone 414-353-7060 • Fax 414-353-7069
 Toll Free 800-558-5592 • E-Mail: Perlick@Perlick.com • www.Perlick.com

Perlick is committed to continuous improvement.
 Therefore, we reserve the right to change specifications without prior notice.

Form No. SB04
 Rev. 03.30.05