

Non-Refrigerated Self-Service
 Countertop Case

CSC3223 31 1/2"L x 23 1/8"D x 36 3/8"H

STANDARD FEATURES

- Light-T-8 side light(s)
- Warranty-One year parts & labor warranty
- Interior-Black interior
- Light switch-Light switch in base
- Trim-Black trim
- Trays-Holds (4) 18x26 trays
- Upper front-Glass swinging front doors
- Shelves-Tray support, non-lighted shelves
- Ends-Glass end



MODEL SHOWN: CSC3223

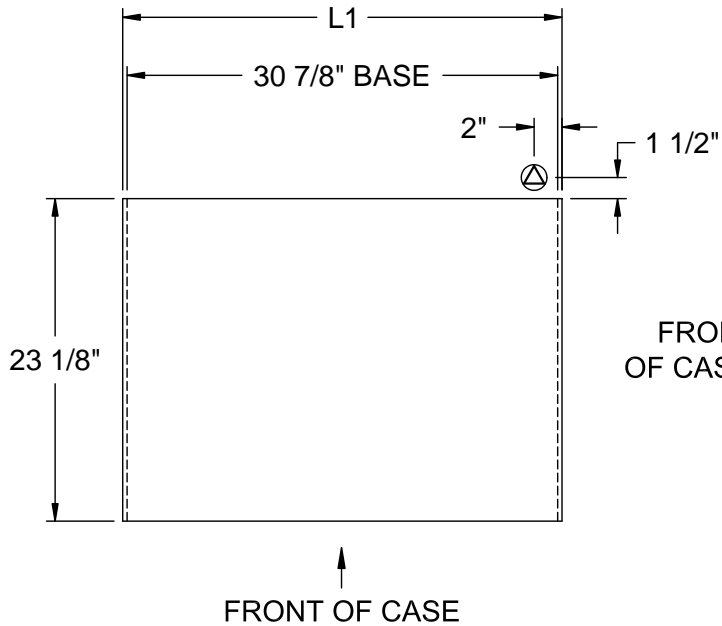
NOTE: SHOWN W/OPTIONAL GRAPHICS HEADER & BLACK BASE COLOR. TRAYS NOT PROVIDED

	STANDARD SPECIFICATION	OPTION(s)
BASE COLOR	<input type="checkbox"/> Gray exterior	<input type="checkbox"/> Black exterior
ELECTRICAL CONNECT	<input type="checkbox"/> 12" straight blade power cord	
GRAPHICS, FRONT DOOR	<input type="checkbox"/> No sign	<input type="checkbox"/> Front Doors w/graphics
GRAPHICS, HEADER	<input type="checkbox"/> No sign	<input type="checkbox"/> Sign, Plain <input type="checkbox"/> Sign w/graphics
BASE	<input type="checkbox"/> 6"H base w/bag area	<input type="checkbox"/> 2"H solid base
UPPER REAR	<input type="checkbox"/> Solid back panel	<input type="checkbox"/> Solid back panel, mirror <input type="checkbox"/> Clear glass rear swinging doors w/o lock

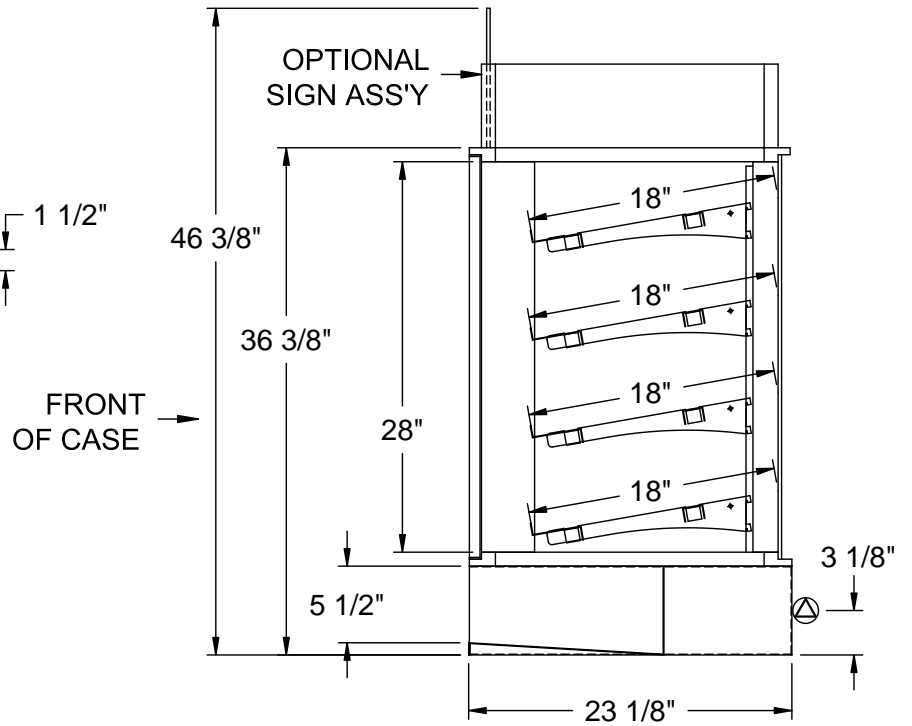
PRODUCT SPECIFICATIONS

Intended Use of Display Area: Unpackaged non-refrigerated products
 Integrated Product Temperature (IPT): Ambient°F
 Intended Environment: Designed to operate in ambient conditions of 75°F / 55% relative humidity.

PLAN VIEW



SIDE VIEW



NOTE: ALL DIMENSIONS APPROXIMATE

- ⊗ ELECTRICAL JUNCTION BOX (SUPPLIED WITH 6" LEADS OR POWER CORD)
- ⊕ LOCATION OF CONDENSATE DRAIN TUBE (SUPPLIED WITH 3/4" OR 1/2" PVC DRAIN TUBE)
- ▨ PREFERRED LOCATION FOR SERVICE ENTRY
- ⊕ REFRIGERANT LINE CONNECTION

Model	Self-Contained Refrigeration/Dry					Remote Refrigeration w/Leads			Ship Wt	Frt Cls
	L1*	L2*	Volts++	Amps	NEMA Plug	Volts++	Amps***	BTUH		
CSC3223	31 1/2	N/A	120/1/60	0.49	NEMA 5-15 P	N/A	N/A	N/A	300	150

++ Operating range for 120 volt rating is 110-120 volts; operating range for 220 volt rating is 208-230 volts.

** Requires 3 wires + ground

*** Does not include electric defrost on freezer models

REGULATORY APPROVALS

- ETL Listed Certified to CAN/CSA 22.2
- ETL Listed Conforms to UL 65
- ETL Sanitation Conforms to NSF 2

Important Note:

24 1/8" Minimum door entry clearance required (Without shipping skid).