

Refrigerated Self-Service Drop-In Counter Case

- DO3623R 38 1/8"L x 28 5/8"D x 47 1/4"H
 DO4823R 50 1/8"L x 28 5/8"D x 47 1/4"H



MODEL SHOWN: DO3623R

STANDARD FEATURES

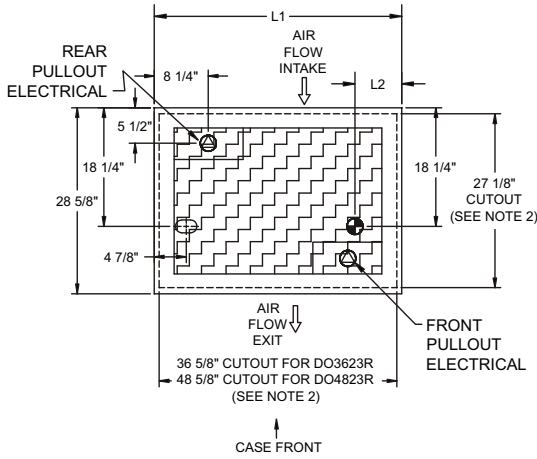
- Light-T-8 top light(s)
- Evaporator pan-Condensate pan (self-contained refrigeration only)
- Warranty-One year parts & labor; 1-5 year compressor warranty
- Temp-Integrated average product temperature of 41°F
- Compressor air-Compressor air rear intake, rear discharge
- Shelves-Shelving removable and adjustable on 1" centers
- Ends-Glass end

	STANDARD SPECIFICATION	OPTION(s)
ELECTRICAL CONNECT	<input type="checkbox"/> 6 ft straight blade power cord (self cont.)	<input type="checkbox"/> Electrical leads (remote)
UPPER REAR	<input type="checkbox"/> Solid back panel	<input type="checkbox"/> Clear glass rear swinging doors w/o lock <input type="checkbox"/> Clear glass rear swinging doors w/lock <input type="checkbox"/> Clear glass rear sliding doors w/lock <input type="checkbox"/> Clear glass rear sliding doors w/o lock
INTERIOR COLOR	<input type="checkbox"/> Black interior	<input type="checkbox"/> Stainless steel interior
EXTERIOR COLOR	<input type="checkbox"/> Black exterior	<input type="checkbox"/> Stainless steel exterior
COVER/CURTAIN	<input type="checkbox"/> None	<input type="checkbox"/> Solid security cover, removable, locking <input type="checkbox"/> Roll down security cover, locking (inc. ht. 6") <input type="checkbox"/> Night curtain, retractable, non-locking
REFRIGERATION	<input type="checkbox"/> Breeze™ w/ EnergyWise refrigeration system w/ evap pan (rear access/ventilation)	<input type="checkbox"/> Breeze™ w/ EnergyWise refrigeration system (front access/ventilation) <input type="checkbox"/> Breeze™ refrigeration (w/o evap pan). Floor drain reqd <input type="checkbox"/> Note: Remote doesn't incl Conds unit. Floor drain reqd. <input type="checkbox"/> Remote w/thermostat, solenoid & TXV <input type="checkbox"/> Remote w/TXV
SHELVING	<input type="checkbox"/> Solid shelf, non-lighted	<input type="checkbox"/> 3"H Full depth display riser(s) (n/a w/shelf) <input type="checkbox"/> Solid shelf, lighted (T-8)

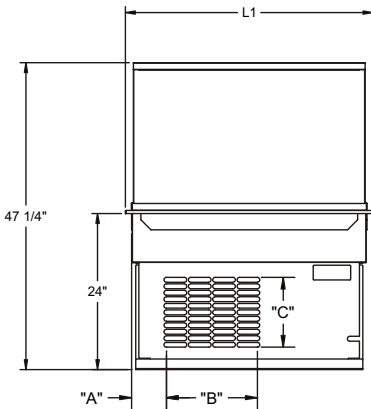
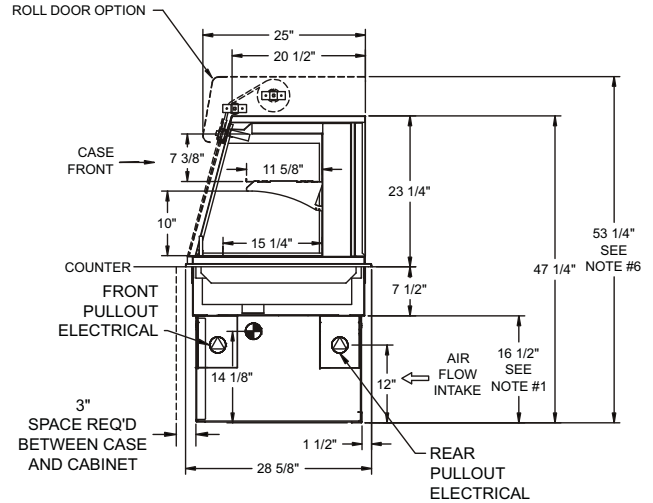
PRODUCT SPECIFICATIONS

Intended Use of Display Area: Packaged/unpackaged refrigerated products
 Integrated Product Temperature (IPT): 41°F
 Intended Environment: Designed to operate in ambient conditions of 75°F / 55% relative humidity.

PLAN VIEW



SIDE VIEW



REAR VIEW

	"A"	"B"	"C"
DO3623R	5 3/8"	14"	10 3/4"
DO4823R	6"	14"	10 3/4"

NOTES

1. 16 1/2" TALL, FULL WIDTH OF CASE, OPENING IN BACK OF CABINET OR COUNTER IS REQUIRED TO PULL OUT REFRIGERATION SYSTEM.
2. REPRESENTS CUTOUT SIZE IN CABINET FOR CASE TO DROP IN TO. SQUARE CORNERS ON CUTOUTS.
3. BACK OF COUNTER / CABINET MUST BE VENTED PROPERLY FOR ADEQUATE AIRFLOW TO CONDENSOR.
4. EXIT VENT IN FRONT OF CABINET IS PREFERRED. IF NOT PROVIDED, AIR VENT MUST BE SURE NOT TO MIX WITH INTAKE AIR.
5. AIR FLOW INTAKE AND EXIT DETAILS ARE REVERSED WITH FRONT PULLOUT REFRIGERATION OPTION.
6. ROLL DOWN SECURITY COVER INCREASES HEIGHT OF CASE BY 6".

NOTE: ALL DIMENSIONS APPROXIMATE

- ELECTRICAL JUNCTION BOX (SUPPLIED WITH 6" LEADS OR POWER CORD).
- REMOTE CASE SERVICE ACCESS AREA.
- LOCATION OF CONDENSATE DRAIN TUBE (SUPPLIED WITH 3/4" OR 1 1/2" PVC DRAIN TUBE).
- SELF-CONTAINED CASE SERVICE ACCESS AREA.
- REFRIGERATION LINE CONNECTION.
- DRY CASE SERVICE ACCESS AREA.

Self-Contained Refrigeration With Evaporator Pan										
Self-Contained Refrigeration/Dry						Remote Refrigeration w/Leads				
Model	L1*	L2*	Volts++	Amps	NEMA Plug	Volts++	Amps***	BTUH	Ship Wt	Frts Cls
DO3623R	38 1/8	4 7/8	120/1/60	16.0	5-20P	120/1/60	9.4	2200	550	110
DO4823R	50 1/8	4 7/8	220/1/60**	12.2	14-20P	120/1/60	10.1	2817	700	110

Self-Contained Refrigeration Without Evaporator Pan										
Self-Contained Refrigeration/Dry						Remote Refrigeration w/Leads				
Model	L1*	L2*	Volts++	Amps	NEMA Plug	Volts++	Amps***	BTUH	Ship Wt	Frts Cls
DO3623R	38 1/8	4 7/8	120/1/60	7.7	5-15P	120/1/60	1.1	2200	550	110
DO4823R	50 1/8	4 7/8	120/1/60	12.3	5-20P	120/1/60	1.8	2817	700	110

+Operating range for 120 volt rating is 110-120 volts; operating range for 220 volt rating is 208-230 volts.

** Requires 3 wires + ground

*** Does not include electric defrost on freezer models

REGULATORY APPROVALS

- ETL Listed Certified to CAN/CSA 22.2
- ETL Sanitation Conforms to NSF 7
- ETL Listed Conforms to UL 471

Important Notes:

If Rear Pullout, back side of counter must be open or vented the full length of the unit to allow proper ventilation of the refrigeration system

If Front Pullout, front side of counter must be open or vented the full length of the unit to allow proper ventilation of the refrigeration system