

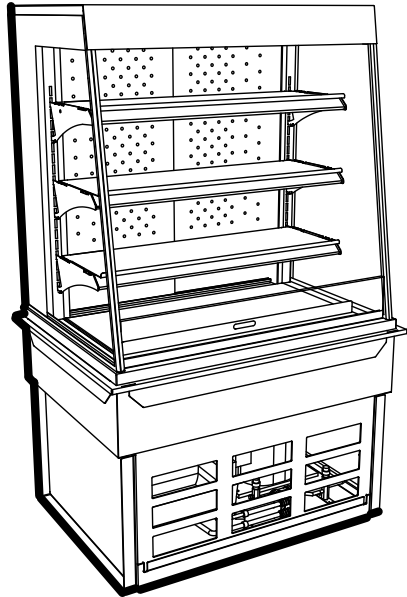


PRODUCT SPECIFICATIONS

ITEM NO. _____
 PROJECT: _____
 DATE: _____

Self-Service Refrigerated Drop-In Counter Merchandiser

- DO3637R 38 1/8"L x 28 5/8"D x 61 1/4"H
- DO4837R 50 1/8"L x 28 5/8"D x 61 1/4"H



STANDARD FEATURES

- Ends-Glass end
- Evaporator pan-Electric condensate pan (self-contained refig. only)
- Warranty-One year parts & labor; 1-5 year compressor warranty
- Temp-Integrated average product temperature of 41°F
- Compressor air-Compressor air rear intake, rear discharge
- Light-T-8 top light(s)
- Shelves-Shelving removable and adjustable on 1" centers

	STANDARD SPECIFICATION	OPTION(s)
ELECTRICAL CONNECT	<input type="checkbox"/> 6 ft straight blade power cord (self cont.)	<input type="checkbox"/> Electrical leads (remote)
UPPER REAR	<input type="checkbox"/> Solid back panel	<input type="checkbox"/> Clear glass rear sliding doors w/lock <input type="checkbox"/> Clear glass rear sliding doors w/o lock
INTERIOR COLOR	<input type="checkbox"/> Black interior	<input type="checkbox"/> Stainless steel interior
EXTERIOR COLOR	<input type="checkbox"/> Black exterior	<input type="checkbox"/> Stainless steel exterior
COVER/CURTAIN	<input type="checkbox"/> None	<input type="checkbox"/> Removable solid security cover, locking <input type="checkbox"/> Roll down security cover, locking (inc. ht. 6") <input type="checkbox"/> Night curtain, pull-down, non-locking
REFRIGERATION	<input type="checkbox"/> Breeze™ refrigeration	<input type="checkbox"/> Remote w/o evap pan <input type="checkbox"/> Note: Remote refrigeration does Not include Condensing unit, Controller & Solenoid valve.
SHELVING	<input type="checkbox"/> Solid sheet metal, non-lighted shelves	<input type="checkbox"/> Solid sheet metal, lighted shelves

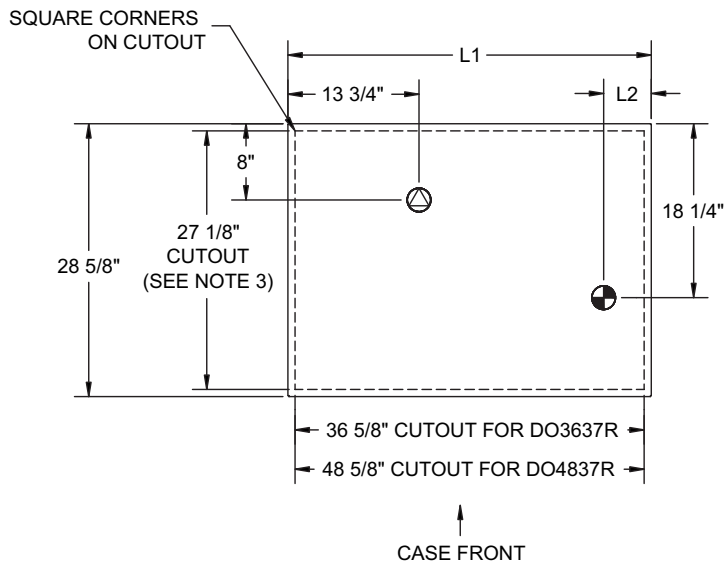


Note: Information is subject to change at any time.
 888 E. Porter Rd. Muskegon, MI 49441 Phone: 231.798.8888 Fax: 231.798.4960 www.structuralconcepts.com

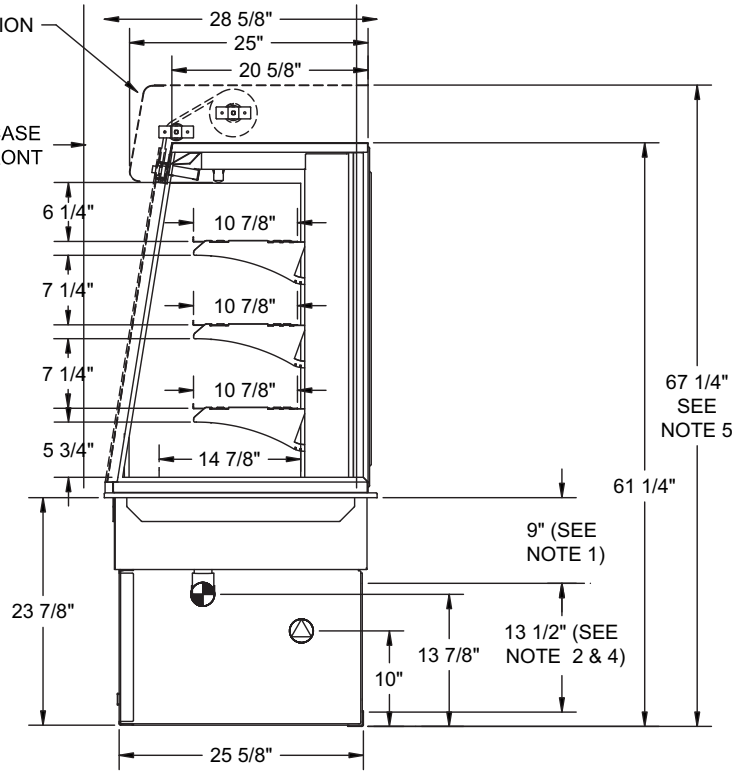
PRODUCT SPECIFICATIONS

Intended Use of Display Area: Packaged refrigerated products
 Integrated Product Temperature (IPT): 41°F
 Intended Environment: Designed to operate in ambient conditions of 75°F / 55% relative humidity.

PLAN VIEW



SIDE VIEW



1. 9" MAXIMUM FACIA ENCLOSURE ON CABINETS OR COUNTER TO ALLOW FOR PULLOUT SYSTEM SLIDEOUT.
2. 13 1/2" MINIMUM OPENING IN BACK OF CABINET OR COUNTER TO PULL OUT REFRIGERATION SYSTEM.
3. REPRESENTS CUTOUT SIZE IN CABINET FOR CASE TO DROP IN TO. SQUARE CORNERS ON CUTOUTS.
4. BACK OF COUNTER / CABINET MUST BE VENTED PROPERLY FOR ADEQUATE AIRFLOW TO CONDENSOR.
5. ROLLDOWN SECURITY COVER INCREASES HEIGHT OF CASE BY 6".

NOTE: ALL DIMENSIONS APPROXIMATE

- ELECTRICAL JUNCTION BOX (SUPPLIED WITH 6" LEADS OR POWER CORD).
- REMOTE CASE SERVICE ACCESS AREA.
- LOCATION OF CONDENSATE DRAIN TUBE (SUPPLIED WITH 3/4" OR 1 1/2" PVC DRAIN TUBE).
- SELF-CONTAINED CASE SERVICE ACCESS AREA.
- REFRIGERATION LINE CONNECTION.
- DRY CASE SERVICE ACCESS AREA.

Model	Self-Contained Refrigeration/Dry					Remote Refrigeration w/Leads			Ship Wt	Frt Cls
	L1*	L2*	Volts++	Amps	NEMA Plug	Volts++	Amps***	BTUH		
DO3637R	38 1/8	5	220/1/60**	12.56	NEMA 14-20 P	120/1/60	2.06	4358	720	110
DO4837R	50 1/8	5	220/1/60**	13.57	NEMA 14-20 P	120/1/60	10.57	4512	780	110

++ Operating range for 120 volt rating is 110-120 volts; operating range for 220 volt rating is 208-230 volts.

** Requires 3 wires + ground

*** Does not include electric defrost on freezer models

REGULATORY APPROVALS

- ETL Listed Conforms to UL 471
- ETL Sanitation Conforms to NSF 7

Important Note:

Back side of counter must be open or vented the full length of the unit to allow proper ventilation for the refrigeration system.

Important Note:

Refrigeration & Controls access is from the back of unit.

Note: Information is subject to change at any time.

888 E. Porter Rd. Muskegon, MI 49441 Phone: 231.798.8888 Fax: 231.798.4960 www.structuralconcepts.com