

ITEM NO. _____
 PROJECT: _____
 DATE: _____

Service/Self-Service Countertop Merchandiser - Curved Front

- CGC2830 28"L x 25"D x 30 1/2"H
- CGC3830 38"L x 25"D x 30 1/2"H

STANDARD FEATURES

- Light-T-8 top light(s)
- Upper rear-Clear glass rear swinging door(s) w/o lock
- Warranty-One year parts & labor warranty
- Shelves-Solid shelves, lighted (T-8)
- Interior-Designed for service or self-service applications
- Shelves-Shelving removable and adjustable on 1" centers
- Ends-Glass end



MODEL SHOWN:
CGC2830 SERVICE



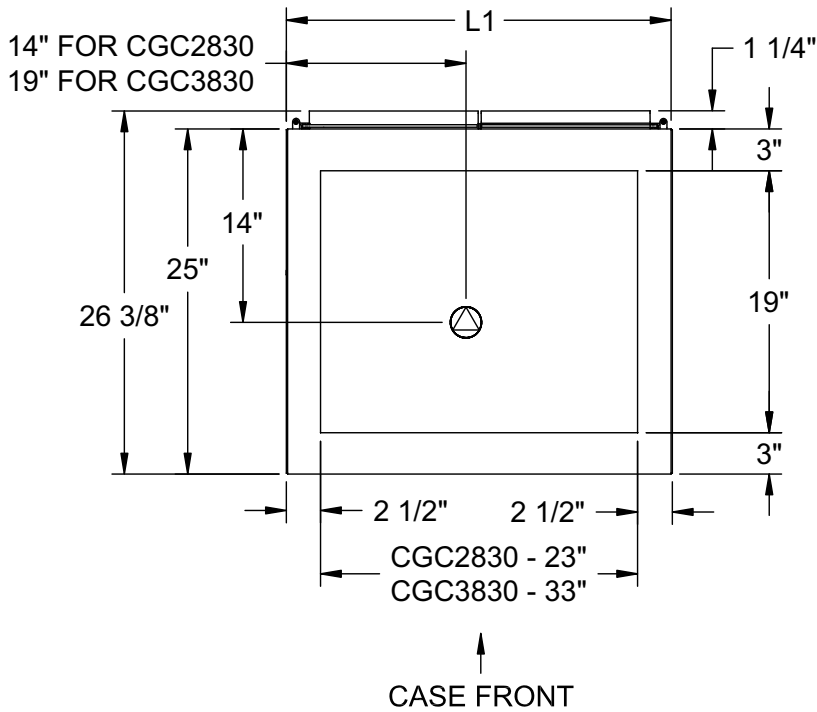
MODEL SHOWN:
CGC2830 SELF-SERVICE

	STANDARD SPECIFICATION	OPTION(s)
ELECTRICAL CONNECT	<input type="checkbox"/> 12" straight blade power cord	<input type="checkbox"/> Electrical leads (remote)
INTERIOR / EXTERIOR COLOR	<input type="checkbox"/> Black exterior	<input type="checkbox"/> Stainless steel exterior

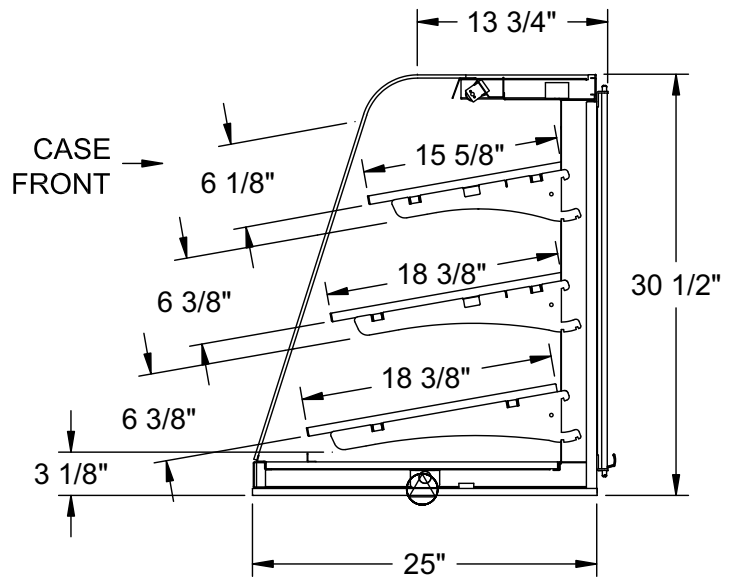
PRODUCT SPECIFICATIONS

Intended Use of Display Area: Packaged non-refrigerated products
 Integrated Product Temperature (IPT): Ambient°F
 Intended Environment:

PLAN VIEW



SIDE VIEW



NOTE: ALL DIMENSIONS APPROXIMATE

- ELECTRICAL JUNCTION BOX (SUPPLIED WITH 6" LEADS OR POWER CORD).
- REMOTE CASE SERVICE ACCESS AREA.
- LOCATION OF CONDENSATE DRAIN TUBE (SUPPLIED WITH 3/4" OR 1 1/2" PVC DRAIN TUBE).
- SELF-CONTAINED CASE SERVICE ACCESS AREA.
- REFRIGERATION LINE CONNECTION.
- DRY CASE SERVICE ACCESS AREA.

Model	Self-Contained Refrigeration/Dry					Remote Refrigeration w/Leads			Ship Wt	Frt Cls
	L1*	L2*	Volts++	Amps	NEMA Plug	Volts++	Amps***	BTUH		
CGC2830	28	0	120/1/60	0.6	NEMA 5-15 P	N/A	N/A	N/A	400	125
CGC3830	38	0	120/1/60	0.6	NEMA 5-15 P	N/A	N/A	N/A	450	125

++ Operating range for 120 volt rating is 110-120 volts; operating range for 220 volt rating is 208-230 volts.

** Requires 3 wires + ground

*** Does not include electric defrost on freezer models

REGULATORY APPROVALS

- ETL Listed Certified to CAN/CSA 22.2
- ETL Listed Conforms to UL 65
- ETL Listed Conforms to UL 962 in process
- ETL Sanitation Conforms to NSF 2 in process