

Non-Refrigerated Pass Through Case

- | | |
|--------------------------------|--------------------------------|
| <input type="checkbox"/> DTP24 | 26 3/4"L x 44 1/2"D x 29 1/2"H |
| <input type="checkbox"/> DTP36 | 38 3/4"L x 44 1/2"D x 29 1/2"H |
| <input type="checkbox"/> DTP48 | 50 3/4"L x 44 1/2"D x 29 1/2"H |

STANDARD FEATURES

- Rear-Non-refrigerated rear storage (w/o doors)
- Warranty-One year parts & labor warranty



MODEL SHOWN: DTP36

NOTE: SHOWN W/ OPTIONAL END PANELS

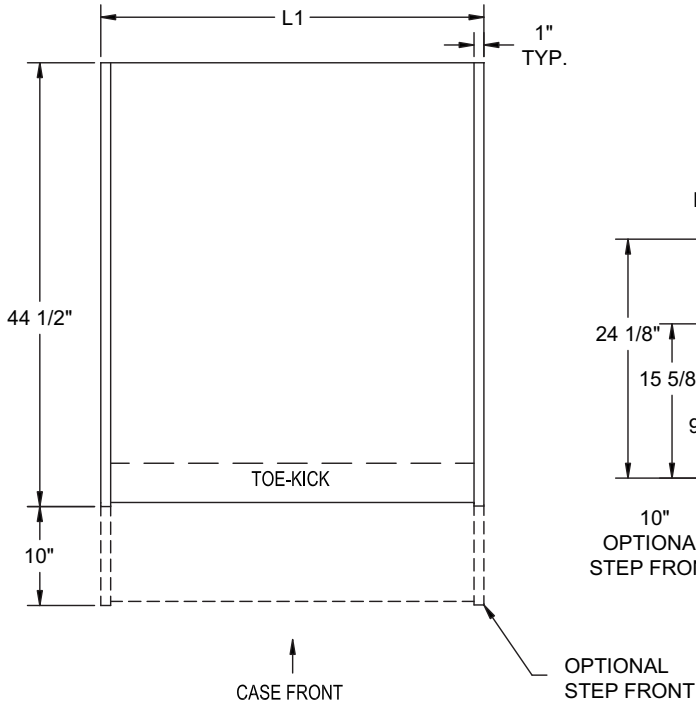
	STANDARD SPECIFICATION	OPTION(S)
DISPLAY SURFACE	<input type="checkbox"/> Solid Surface Corian - Night Sky	<input type="checkbox"/> Solid surface, special colors (call for quote)
FRONT LEDGE	<input type="checkbox"/> Solid Surface Corian - Night Sky	<input type="checkbox"/> Solid surface, special colors (call for quote)
REAR EXTERIOR COLOR	<input type="checkbox"/> White exterior	<input type="checkbox"/> Stainless steel rear exterior (w/stainless ext. only) <input type="checkbox"/> Black exterior
INTERIOR COLOR	<input type="checkbox"/> Black interior	<input type="checkbox"/> White interior <input type="checkbox"/> Stainless Steel interior
EXTERIOR COLOR	<input type="checkbox"/> Laminated exterior (Wilsonart/Formica non-premium)	<input type="checkbox"/> Laminated exterior (Wilsonart/Formica premium) <input type="checkbox"/> Stainless steel exterior
BASE SUPPORT	<input type="checkbox"/> Levelers	<input type="checkbox"/> 6"H legs <input type="checkbox"/> Casters
FRONT PANEL	<input type="checkbox"/> Flat front panel	<input type="checkbox"/> Step front (Increases depth of unit 10")
TOE KICK	<input type="checkbox"/> Toe kick, black	<input type="checkbox"/> Toe kick, white <input type="checkbox"/> Toe kick, stainless steel
END PANEL LEFT	<input type="checkbox"/> No end panel (for same case to case connections)	<input type="checkbox"/> Full end panel
END PANEL RIGHT	<input type="checkbox"/> No end panel (for same case to case connections)	<input type="checkbox"/> Full end panel
BACK PANEL	<input type="checkbox"/> Solid back panel, white	<input type="checkbox"/> Solid back panel, black <input type="checkbox"/> Solid back panel, stainless steel
BUMPER	<input type="checkbox"/> None	<input type="checkbox"/> 1" bumper on front (specify color)

ENCORE®

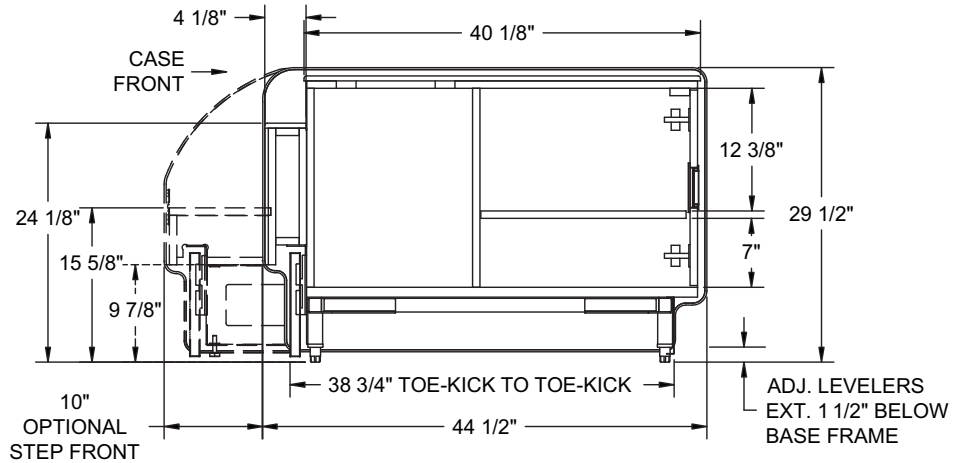
PRODUCT SPECIFICATIONS

Intended Use of Display Area: Packaged non-refrigerated products
 Integrated Product Temperature (IPT): Ambient°F
 Intended Environment:

PLAN VIEW



SIDE VIEW



NOTE: ALL DIMENSIONS APPROXIMATE

- ELECTRICAL JUNCTION BOX (SUPPLIED WITH 6" LEADS OR POWER CORD).
- REMOTE CASE SERVICE ACCESS AREA.
- LOCATION OF CONDENSATE DRAIN TUBE (SUPPLIED WITH 3/4" OR 1 1/2" PVC DRAIN TUBE).
- SELF-CONTAINED CASE SERVICE ACCESS AREA.
- REFRIGERATION LINE CONNECTION.
- DRY CASE SERVICE ACCESS AREA.

Model	Self-Contained Refrigeration/Dry					Remote Refrigeration w/Leads			Ship Wt	Frt Cls
	L1*	L2*	Volts++	Amps	NEMA Plug	Volts++	Amps***	BTUH		
DTP24	26 3/4	0	N/A	0	N/A	N/A	N/A	N/A	990	125
DTP36	38 3/4	0	N/A	0	N/A	N/A	N/A	N/A	990	125
DTP48	50 3/4	0	N/A	0	N/A	N/A	N/A	N/A	1000	125

++ Operating range for 120 volt rating is 110-120 volts; operating range for 220 volt rating is 208-230 volts.

** Requires 3 wires + ground

*** Does not include electric defrost on freezer models

REGULATORY APPROVALS



Note: Information is subject to change at any time.

888 E. Porter Rd. Muskegon, MI 49441 Phone: 231.798.8888 Fax: 231.798.4960 www.structuralconcepts.com