

Refrigerated Service Case



MODEL SHOWN: HV56R

- HV38R 40"L x 42"D x 51 1/4"H
- HV48R 50"L x 42"D x 51 1/4"H
- HV56R 58"L x 42"D x 51 1/4"H
- HV74R 76"L x 42"D x 51 1/4"H
- HV96R 98"L x 42"D x 51 1/4"H

STANDARD FEATURES

- Light-T-8 top & shelf lights
- Evaporator pan-Condensate pan (self-contained refig. only)
- Compressor air-Compressor air rear intake, front discharge. Toe kick cannot be blocked
- Warranty-One year parts & labor; 1-5 year compressor warranty
- Temp-Integrated average product temperature of 41°F or less.
- Shelves-Shelving removable and adjustable on 1" centers

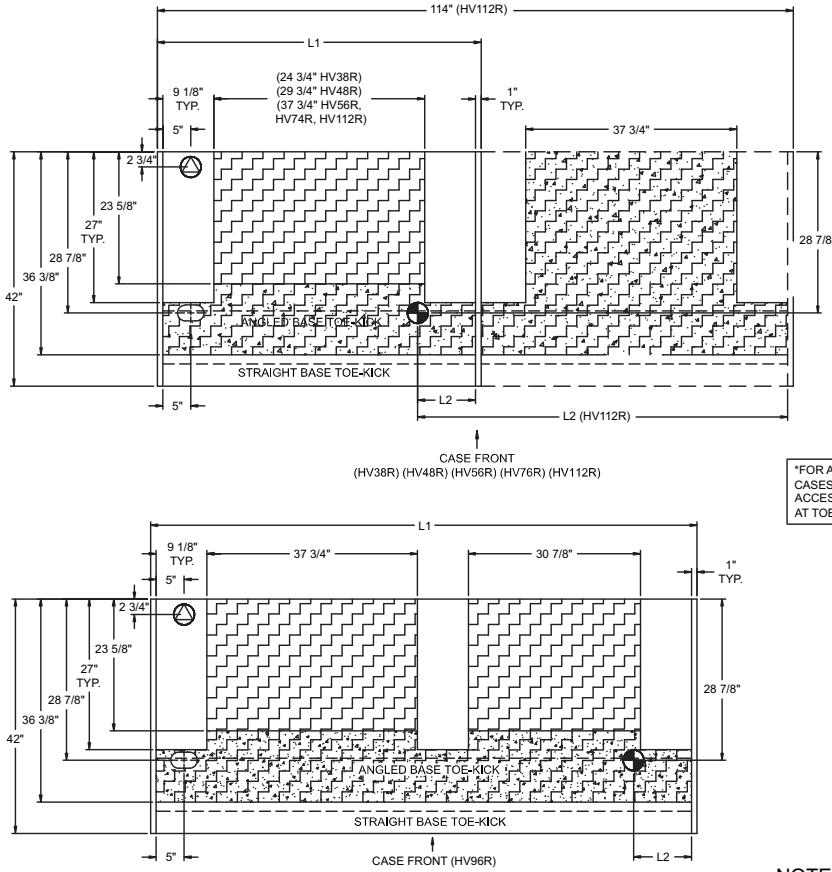
	STANDARD SPECIFICATION	OPTION(s)
ELECTRICAL CONNECT	<input type="checkbox"/> 6 ft straight blade power cord (self cont.)	<input type="checkbox"/> 6 ft locking power cord (self cont.) <input type="checkbox"/> Electrical leads (remote)
REAR EXTERIOR COLOR	<input type="checkbox"/> White exterior	<input type="checkbox"/> Black exterior <input type="checkbox"/> Stainless steel exterior (self cont. only)
INTERIOR COLOR	<input type="checkbox"/> Black interior	<input type="checkbox"/> White interior <input type="checkbox"/> Stainless Steel interior
TRIM COLOR	<input type="checkbox"/> Black trim	<input type="checkbox"/> Silver trim
EXTERIOR COLOR	<input type="checkbox"/> Laminated exterior (Wilsonart/Formica non-premium)	<input type="checkbox"/> Laminated exterior (Wilsonart/Formica premium) <input type="checkbox"/> Stainless steel exterior
REFRIGERATION	<input type="checkbox"/> Breeze™ w/ EnergyWise refrigeration system	<input type="checkbox"/> Note: Remote doesn't incl Conds unit. Floor drain reqd. <input type="checkbox"/> Remote w/thermostat, solenoid & TXV <input type="checkbox"/> Remote w/TXV
BASE SUPPORT	<input type="checkbox"/> Levelers	<input type="checkbox"/> 6"H legs <input type="checkbox"/> Casters
FRONT PANEL	<input type="checkbox"/> Flat front panel	
END PANEL LEFT	<input type="checkbox"/> Full end panel w/mirror interior	<input type="checkbox"/> Case to case glass end <input type="checkbox"/> Cutaway end panel <input type="checkbox"/> No end panel (for same case to case connections)
END PANEL RIGHT	<input type="checkbox"/> Full end panel w/mirror interior	<input type="checkbox"/> Case to case glass end <input type="checkbox"/> Cutaway end panel <input type="checkbox"/> No end panel (for same case to case connections)
FRONT GLASS	<input type="checkbox"/> Curved single pane, lift-up front glass w/o lock	<input type="checkbox"/> Curved single pane, lift-up front glass w/lock
UPPER REAR	<input type="checkbox"/> Clear glass rear sliding doors w/o lock	<input type="checkbox"/> Reflective glass rear sliding doors w/lock <input type="checkbox"/> Clear glass rear sliding doors w/lock <input type="checkbox"/> Reflective glass rear sliding doors w/o lock
SHELVING	<input type="checkbox"/> Clear glass shelves, lighted	
BUMPER	<input type="checkbox"/> None	<input type="checkbox"/> 1" bumper on front (specify color)

ENCORE®

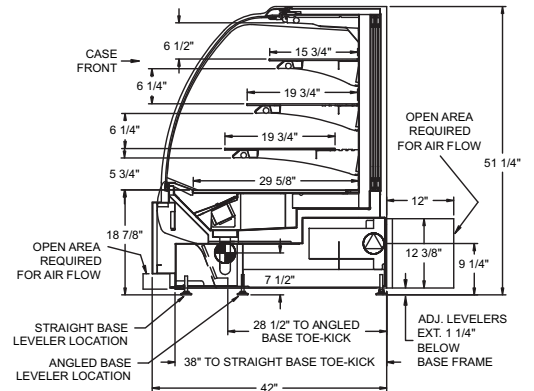
PRODUCT SPECIFICATIONS

Intended Use of Display Area: Unpackaged refrigerated products
 Integrated Product Temperature (IPT): 41°F
 Intended Environment: Designed to operate in ambient conditions of 75°F / 55% relative humidity.

PLAN VIEW



SIDE VIEW



*FOR ANGLED BASE CASES, SERVICE ACCESS AREAS END AT TOE-KICK

NOTE: ALL DIMENSIONS APPROXIMATE

- ELECTRICAL JUNCTION BOX (SUPPLIED WITH 6' LEADS OR POWER CORD).
- LOCATION OF CONDENSATE DRAIN TUBE (SUPPLIED WITH 3/4" OR 1 1/2" PVC DRAIN TUBE).
- REFRIGERATION LINE CONNECTION.
- REMOTE CASE SERVICE ACCESS AREA.
- SELF-CONTAINED CASE SERVICE ACCESS AREA.
- DRY CASE SERVICE ACCESS AREA.

Model	Self-Contained Refrigeration/Dry					Remote Refrigeration w/Leads			Ship Wt	Frt CIs
	L1*	L2*	Volts++	Amps	NEMA Plug	Volts++	Amps***	BTUH		
HV38R	40	10 3/8	120/1/60	10.46	NEMA 5-15P	120/1/60	2.36	2445	800	110
HV48R	50	10 3/8	120/1/60	13.23	NEMA 5-15P	120/1/60	2.77	2850	960	110
HV56R	58	10 3/8	120/1/60	12.89	NEMA 5-15P	120/1/60	2.53	3289	1020	110
HV74R	76	10 3/8	120/1/60	16.84	NEMA 5-20P	120/1/60	3.48	3832	1400	110
HV96R	98	10 3/8	120/1/60	17.44	NEMA 5-20P	120/1/60	4.08	4920	1500	110

++ Operating range for 120 volt rating is 110-120 volts; operating range for 220 volt rating is 208-230 volts.

** Requires 3 wires + ground

*** Does not include electric defrost on freezer models

REGULATORY APPROVALS

- ETL Listed Certified to CAN/CSA 22.2
- ETL Listed Conforms to UL 471
- ETL Sanitation Conforms to NSF 7

Important Note:

43" minimum door entry clearance required (without shipping skid).



Note: Information is subject to change at any time.

888 E. Porter Rd. Muskegon, MI 49441 Phone: 231.798.8888 Fax: 231.798.4960 www.structuralconcepts.com