

Self-Service Refrigerated Bakery Merchandiser



- HV38RSS 40"L x 42"D x 51 1/4"H
- HV48RSS 50"L x 42"D x 51 1/4"H
- HV56RSS 58"L x 42"D x 51 1/4"H
- HV74RSS 76"L x 42"D x 51 1/4"H
- HV96RSS 98"L x 42"D x 51 1/4"H
- HV112RSS 114"L x 42"D x 51 1/4"H

STANDARD FEATURES

- Light-T-8 top & shelf lights
- Evaporator pan-Electric condensate pan (self-contained refig. only)
- Compressor air-Compressor air rear intake, front discharge. Toe kick cannot be blocked
- Warranty-One year parts & labor; 1-5 year compressor warranty
- Temp-Integrated average product temperature of 41°F or less.
- Shelves-Shelving removable and adjustable on 1" centers
- Upper rear-Solid back panel
- Upper front-Open front for self-selection

	STANDARD SPECIFICATION	OPTION(S)
ELECTRICAL CONNECT	<input type="checkbox"/> 6 ft straight blade power cord (self cont.)	<input type="checkbox"/> 6 ft locking power cord (self cont.) <input type="checkbox"/> Electrical leads (remote)
INTERIOR COLOR	<input type="checkbox"/> Black interior	<input type="checkbox"/> White interior <input type="checkbox"/> Stainless Steel interior
TRIM COLOR	<input type="checkbox"/> Black trim	<input type="checkbox"/> Silver trim <input type="checkbox"/> Gold trim
EXTERIOR COLOR	<input type="checkbox"/> Laminated exterior (Wilsonart/Formica non-premium) <input type="checkbox"/> Note: Upper & lower rear areas white	<input type="checkbox"/> Painted exterior (specify color) <input type="checkbox"/> Laminated exterior (Wilsonart/Formica premium) <input type="checkbox"/> Oak veneer exterior (stained) <input type="checkbox"/> Oak veneer exterior (clear coat) <input type="checkbox"/> Stainless steel exterior
COVER/CURTAIN	<input type="checkbox"/> None	<input type="checkbox"/> Removable wire security cover, locking <input type="checkbox"/> Night curtain, pull-down, non-locking
REFRIGERATION	<input type="checkbox"/> Breeze™ refrigeration <input type="checkbox"/> Remote refrigeration (nom 10ft L & 12ft L only)	<input type="checkbox"/> Remote refrigeration <input type="checkbox"/> Note: Remote refrigeration does Not include Condensing unit, Controller & Solenoid valve.
ELECTRICAL ACCESS	<input type="checkbox"/> Rear ballast box	<input type="checkbox"/> Front ballast box (remote) <input type="checkbox"/> Rear wireway (remote or non-ref.)
BASE SUPPORT	<input type="checkbox"/> Levelers	<input type="checkbox"/> Casters
FRONT PANEL	<input type="checkbox"/> Straight front panel	<input type="checkbox"/> ABS upper front panel
END PANEL LEFT	<input type="checkbox"/> Full end panel w/mirror interior	<input type="checkbox"/> Cutaway end panel <input type="checkbox"/> No end panel (for case to case connections) <input type="checkbox"/> Case to case glass end
END PANEL RIGHT	<input type="checkbox"/> Full end panel w/mirror interior	<input type="checkbox"/> Cutaway end panel <input type="checkbox"/> No end panel (for case to case connections) <input type="checkbox"/> Case to case glass end
ANGLED DECK	<input type="checkbox"/> None	<input type="checkbox"/> Angled deck (n/a w/display steps)
SHELVING	<input type="checkbox"/> Clear glass, lighted shelves	<input type="checkbox"/> Smoked glass, lighted shelves
BUMPER	<input type="checkbox"/> None	<input type="checkbox"/> 1" bumper on front & ends (specify color) <input type="checkbox"/> 1" bumper on front (specify color) <input type="checkbox"/> 1" bumper on front & left end (specify color) <input type="checkbox"/> 1" bumper on front & right end (specify color)

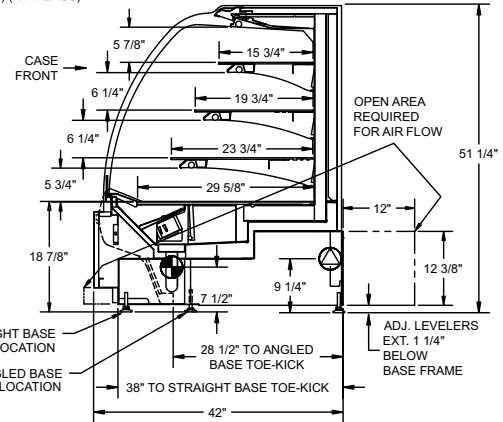
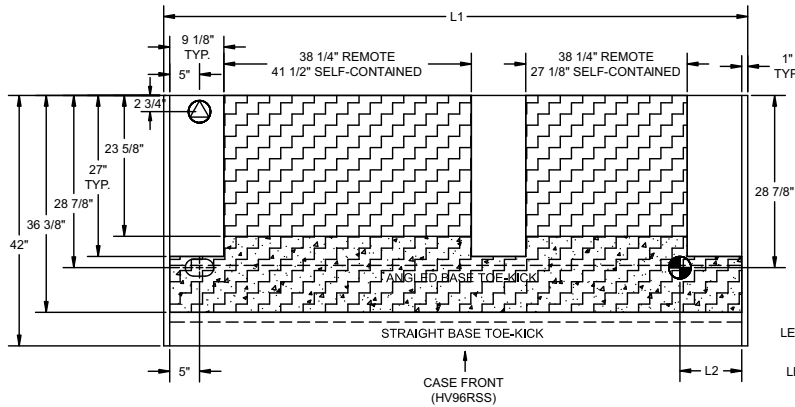
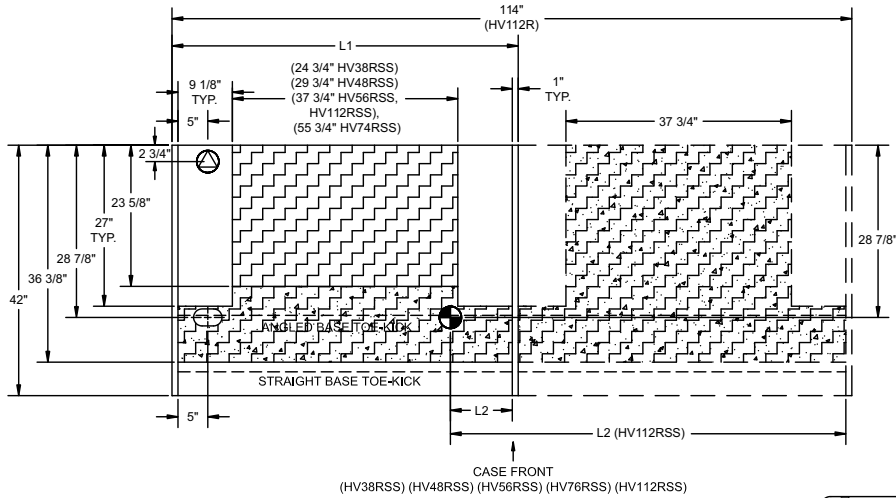
ENCORE®

PRODUCT SPECIFICATIONS

Intended Use of Display Area: Packaged refrigerated products
 Integrated Product Temperature (IPT): 41°F
 Intended Environment: Designed to operate in ambient conditions of 75°F / 55% relative humidity.

PLAN VIEW

SIDE VIEW



NOTE: ALL DIMENSIONS APPROXIMATE

- ELECTRICAL JUNCTION BOX (SUPPLIED WITH 6" LEADS OR POWER CORD).
- REFRIGERATION LINE CONNECTION.
- SELF-CONTAINED CASE SERVICE ACCESS AREA.
- LOCATION OF CONDENSATE DRAIN TUBE (SUPPLIED WITH 3/4" OR 1 1/2" PVC DRAIN TUBE).
- REMOTE CASE SERVICE ACCESS AREA.
- DRY CASE SERVICE ACCESS AREA.

Model	Self-Contained Refrigeration/Dry					Remote Refrigeration w/Leads			Ship Wt	Frt CIs
	L1*	L2*	Volts++	Amps	NEMA Plug	Volts++	Amps***	BTUH		
HV38RSS	40	10 3/8	120/1/60	15.48	NEMA 5-20 P	120/1/60	2.16	4226	780	110
HV48RSS	50	10 3/8	220/1/60**	12.77	NEMA 14-20P	120/1/60	2.27	5350	930	110
HV56RSS	58	10 3/8	220/1/60**	12.83	NEMA 14-20P	120/1/60	2.33	6143	930	110
HV74RSS	76	10 3/8	220/1/60**	17.35	NEMA 14-20P	120/1/60	3.86	8010	1180	110
HV96RSS	98	10 3/8	220/1/60**	22.81	NEMA 14-30P	120/1/60	4.11	9439	1000	110
HV112RSS	114	65	N/A	0	N/A	120/1/60	4.25	11911	1200	110

++ Operating range for 120 volt rating is 110-120 volts; operating range for 220 volt rating is 208-230 volts.

** Requires 3 wires + ground

*** Does not include electric defrost on freezer models

REGULATORY APPROVALS

- ETL Listed Certified to CAN/CSA 22.2
- ETL Listed Conforms to UL 471
- ETL Sanitation Conforms to NSF 7

Important Note:

43" Minimum door entry clearance required (Without shipping skid).

Important Note:

Compressor air ventilation is out the front panel. Front panel cannot be blocked.

Important Note:

Units are supplied with levelers. They must be adjusted during installation to ensure the unit is level and plumb. Dimensions reflect levelers extended 1 1/4".

Note: Information is subject to change at any time.

888 E. Porter Rd. Muskegon, MI 49441 Phone: 231.798.8888 Fax: 231.798.4960 www.structuralconcepts.com

