

Self-Service Bagel Merchandiser

- | | |
|----------------------------------|------------------------|
| <input type="checkbox"/> HVB38SS | 40"L x 41"D x 51 1/4"H |
| <input type="checkbox"/> HVB56SS | 58"L x 41"D x 51 1/4"H |
| <input type="checkbox"/> HVB74SS | 76"L x 41"D x 51 1/4"H |



MODEL SHOWN: HVB56SS

STANDARD FEATURES

- Light-T-8 top light(s)
- Base-Tissue box holder
- Warranty-One year parts & labor warranty
- Drawers-Stay-open pull-out drawers
- Base-Levelers

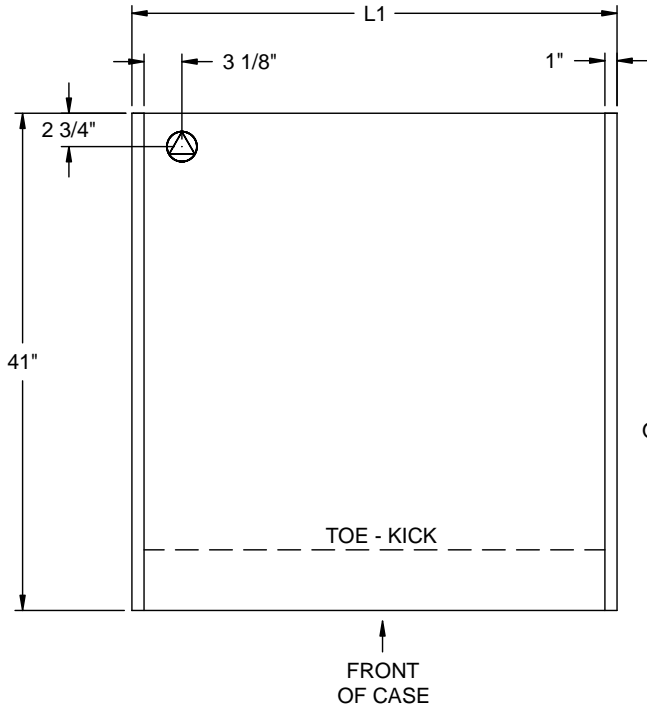
	STANDARD SPECIFICATION	OPTION(s)
ELECTRICAL CONNECT	<input type="checkbox"/> 12" straight blade power cord	<input type="checkbox"/> 12" locking power cord
INTERIOR COLOR	<input type="checkbox"/> Black interior	<input type="checkbox"/> White interior
TRIM COLOR	<input type="checkbox"/> Black trim	<input type="checkbox"/> Silver trim <input type="checkbox"/> Gold trim
EXTERIOR COLOR	<input type="checkbox"/> Laminated exterior (Wilsonart/Formica non-premium) <input type="checkbox"/> Note: Upper & lower rear areas white	<input type="checkbox"/> Painted exterior (specify color) <input type="checkbox"/> Laminated exterior (Wilsonart/Formica premium)
FRONT PANEL	<input type="checkbox"/> Straight front panel	<input type="checkbox"/> ABS upper front panel
END PANEL LEFT	<input type="checkbox"/> Full end panel	<input type="checkbox"/> No end panel (for same case to case connections)
END PANEL RIGHT	<input type="checkbox"/> Full end panel	<input type="checkbox"/> No end panel (for same case to case connections)
BASKET LINERS	<input type="checkbox"/> None	<input type="checkbox"/> Basket liners, clear plastic
BASKETS	<input type="checkbox"/> Chrome wire baskets 18"x22"x4"	<input type="checkbox"/> Black wire baskets 18"x22"x1 1/2" <input type="checkbox"/> Black wire baskets 18"x22"x4" <input type="checkbox"/> Chrome wire baskets 18"x22"x1 1/2"
UPPER REAR	<input type="checkbox"/> Solid back panel	<input type="checkbox"/> Reflective glass rear sliding doors w/o lock <input type="checkbox"/> Clear glass rear sliding doors w/o lock <input type="checkbox"/> Open upper rear
TONGS	<input type="checkbox"/> None	<input type="checkbox"/> Tongs inside of basket
BUMPER	<input type="checkbox"/> None	<input type="checkbox"/> 1" bumper on front & ends (specify color) <input type="checkbox"/> 1" bumper on front (specify color) <input type="checkbox"/> 1" bumper on front & left end (specify color) <input type="checkbox"/> 1" bumper on front & right end (specify color)

ENCORE®

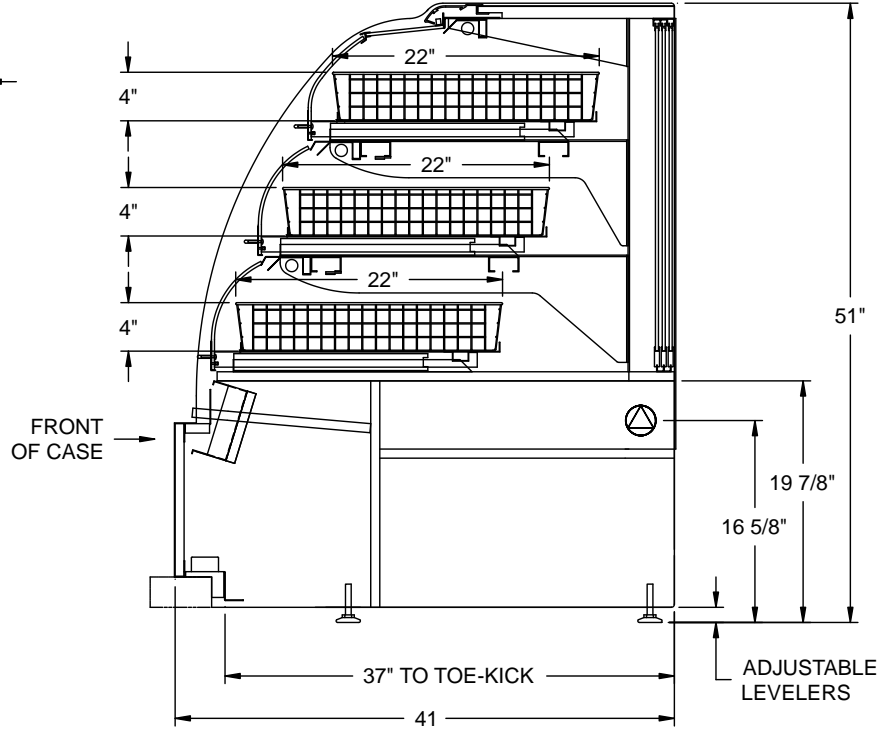
PRODUCT SPECIFICATIONS

Intended Use of Display Area: Unpackaged non-refrigerated products
 Integrated Product Temperature (IPT): Ambient°F
 Intended Environment: Designed to operate in ambient conditions of 75°F / 55% relative humidity.





PLAN VIEW



SIDE VIEW



NOTE: ALL DIMENSIONS APPROXIMATE

-  ELECTRICAL JUNCTION BOX (SUPPLIED WITH 6" LEADS OR POWER CORD)
-  LOCATION OF CONDENSATE DRAIN TUBE (SUPPLIED WITH 3/4" OR 1 1/2" PVC DRAIN TUBE)
-  PREFERRED LOCATION FOR SERVICE ENTRY
-  REFRIGERANT LINE CONNECTION

Model	Self-Contained Refrigeration/Dry					Remote Refrigeration w/Leads			Ship Wt	Frt Cls
	L1*	L2*	Volts++	Amps	NEMA Plug	Volts++	Amps***	BTUH		
HVB38SS	40	N/A	120/1/60	1.06	NEMA 5-15P	N/A	N/A	N/A	650	125
HVB56SS	58	N/A	120/1/60	1.06	NEMA 5-15P	N/A	N/A	N/A	950	125
HVB74SS	76	N/A	120/1/60	2.12	NEMA 5-15P	N/A	N/A	N/A	1050	125

++ Operating range for 120 volt rating is 110-120 volts; operating range for 220 volt rating is 208-230 volts.

** Requires 3 wires + ground

*** Does not include electric defrost on freezer models

REGULATORY APPROVALS

- ETL Listed Certified to CAN/CSA 22.2
- ETL Listed Conforms to UL 65
- ETL Sanitation Conforms to NSF 2

Important Note:

42" Minimum door entry clearance required (Without shipping skid).

Important Note:

Units are supplied with levelers. They must be adjusted during installation to ensure the unit is level and plumb. Dimensions reflect levelers extended 1 1/4".



Note: Information is subject to change at any time.

888 E. Porter Rd. Muskegon, MI 49441 Phone: 231.798.8888 Fax: 231.798.4960 www.structuralconcepts.com