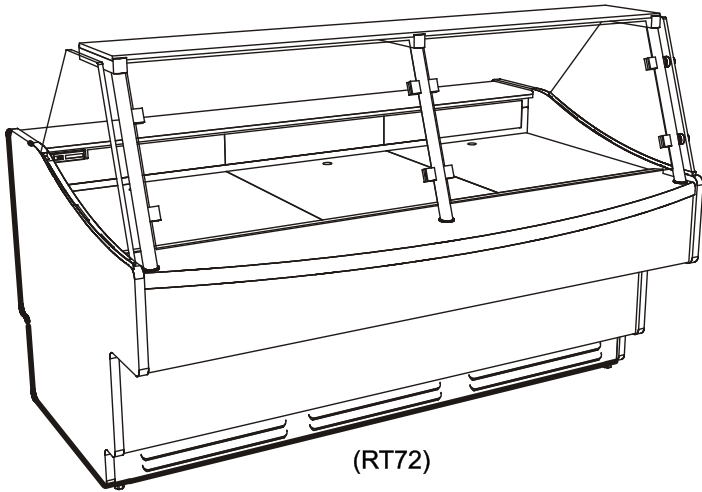


### Service Refrigerated Table Merchandiser

- RT48 50 3/4"L x 50 7/8"D x 50 1/4"H
- RT72 75 1/8"L x 50 7/8"D x 50 1/4"H
- RT96 99 1/2"L x 50 7/8"D x 50 1/4"H



#### STANDARD FEATURES

- Evaporator pan-Electric condensate pan (self-contained refig. only)
- Temp-Integrated average product temperature of 41°F
- Compressor air-Compressor air rear intake, front discharge. Toe kick cannot be blocked
- Warranty-One year parts & labor; 1-5 year compressor warranty
- Lower rear-Non-refrigerated rear storage (w/doors)
- Ends-Full end panel

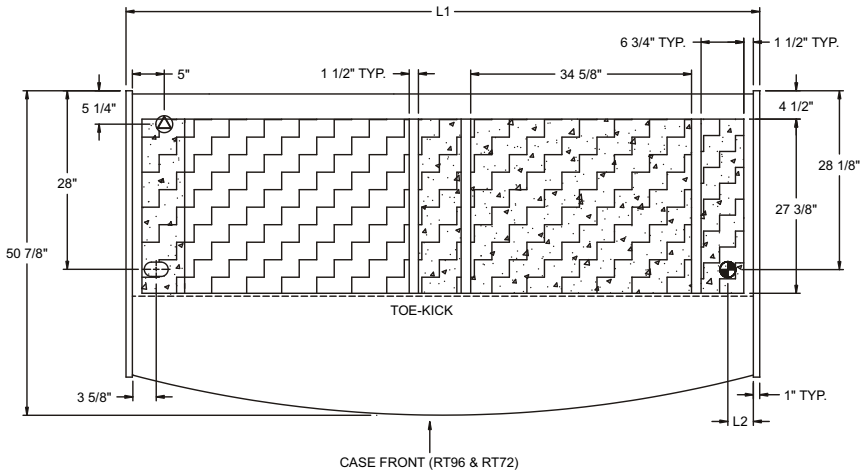
	STANDARD SPECIFICATION	OPTION(s)
DISPLAY SURFACE	<input type="checkbox"/> Solid Surface Corian - Night Sky	<input type="checkbox"/> Special colors (call for quote)
ELECTRICAL CONNECT	<input type="checkbox"/> 6 ft straight blade power cord (self cont.)	<input type="checkbox"/> 6 ft locking power cord (self cont.) <input type="checkbox"/> Electrical leads (remote)
FRONT GLASS	<input type="checkbox"/> Non-etched w/Black posts	<input type="checkbox"/> Non-etched w/Silver posts
FRONT LEDGE	<input type="checkbox"/> Solid Surface Corian - Night Sky	<input type="checkbox"/> Special colors (call for quote)
LIGHTS	<input type="checkbox"/> None	<input type="checkbox"/> LED top light(s)
REAR STORAGE COLOR	<input type="checkbox"/> White exterior	<input type="checkbox"/> Laminated exterior (Wilsonart/Formica non-premium) <input type="checkbox"/> Black exterior
INTERIOR COLOR	<input type="checkbox"/> Black interior	<input type="checkbox"/> White interior <input type="checkbox"/> Stainless Steel interior
EXTERIOR COLOR	<input type="checkbox"/> Laminated exterior (Wilsonart/Formica non-premium)	<input type="checkbox"/> Stainless steel exterior <input type="checkbox"/> Laminated exterior (Wilsonart/Formica premium)
REFRIGERATION	<input type="checkbox"/> Breeze™ refrigeration	<input type="checkbox"/> Remote refrigeration <input type="checkbox"/> Note: Remote refrigeration does Not include Condensing unit, Controller & Solenoid valve.
FRONT PANEL	<input type="checkbox"/> Straight front panel	<input type="checkbox"/> Curved front
TOE KICK	<input type="checkbox"/> Toe kick, black	<input type="checkbox"/> Toe kick, special color (specify) <input type="checkbox"/> Toe kick, stainless steel
BACK PANEL	<input type="checkbox"/> Solid back panel, white	<input type="checkbox"/> Solid back panel, stainless steel <input type="checkbox"/> Solid back panel, black
REAR WORK LEDGE	<input type="checkbox"/> Solid Surface Corian - Night Sky	<input type="checkbox"/> Special colors (call for quote)
BUMPER	<input type="checkbox"/> None	<input type="checkbox"/> 1" bumper on front & right end (specify color) <input type="checkbox"/> 1" bumper on front & left end (specify color) <input type="checkbox"/> 1" bumper on front & ends (specify color) <input type="checkbox"/> 1" bumper on front (specify color)

# ENCORE®

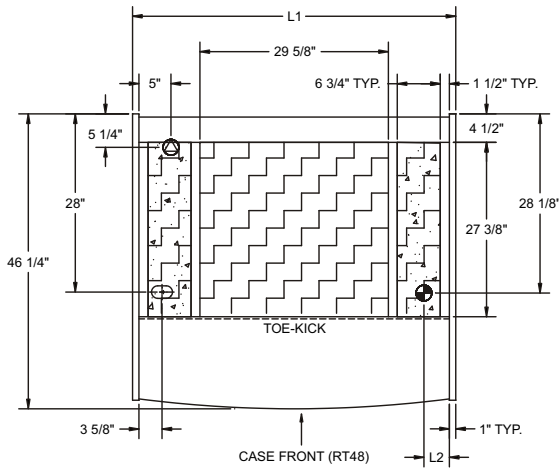
## PRODUCT SPECIFICATIONS

Intended Use of Display Area: Unpackaged refrigerated products  
 Integrated Product Temperature (IPT): 41°F  
 Intended Environment: Designed to operate in ambient conditions of 75°F / 55% relative humidity.

**PLAN VIEW**

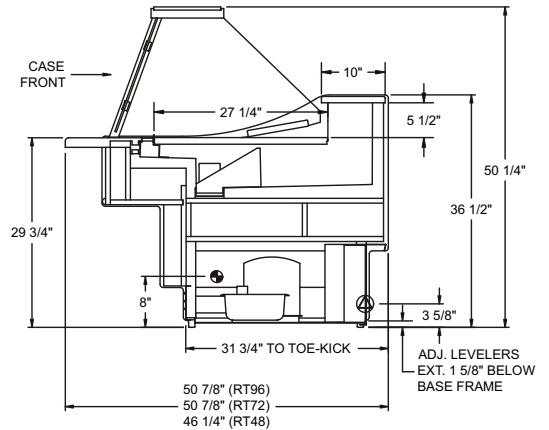


CASE FRONT (RT96 & RT72)



CASE FRONT (RT48)

**SIDE VIEW**



**NOTE: ALL DIMENSIONS APPROXIMATE**

- ELECTRICAL JUNCTION BOX (SUPPLIED WITH 6" LEADS OR POWER CORD).
- LOCATION OF CONDENSATE DRAIN TUBE (SUPPLIED WITH 3/4" OR 1 1/2" PVC DRAIN TUBE).
- REFRIGERATION LINE CONNECTION.
- REMOTE CASE SERVICE ACCESS AREA.
- SELF-CONTAINED CASE SERVICE ACCESS AREA.
- DRY CASE SERVICE ACCESS AREA.

Model	Self-Contained Refrigeration/Dry					Remote Refrigeration w/Leads			Ship Wt	Frt CIs
	L1*	L2*	Volts++	Amps	NEMA Plug	Volts++	Amps***	BTUH		
RT48	50 3/4	4	120/1/60	14.56	Leads	120/1/60	1.26	2482	1200	110
RT72	75 1/8	4	220/1/60**	14.34	Leads	120/1/60	1.84	3639	1270	110
RT96	99 1/2	4	220/1/60**	12.87	Leads	120/1/60	1.97	4611	1750	110

++ Operating range for 120 volt rating is 110-120 volts; operating range for 220 volt rating is 208-230 volts.  
 \*\* Requires 3 wires + ground  
 \*\*\* Does not include electric defrost on freezer models

**REGULATORY APPROVALS**

- ETL Listed Conforms to UL 471
- ETL Sanitation Conforms to NSF 7

**Important Note:**

43" minimum door entry clearance required (without shipping skid).

**Important Note:**

Compressor air ventilation is out the front panel. Front panel cannot be blocked.

**Important Note:**

Units are supplied with levelers. They must be adjusted during installation to ensure the unit is level and plumb. Dimensions reflect levelers extended 1 1/4".

Note: Information is subject to change at any time.

888 E. Porter Rd. Muskegon, MI 49441 Phone: 231.798.8888 Fax: 231.798.4960 www.structuralconcepts.com

